

# 12A-U360X-200

12" ADJUSTABLE/MODULAR U-CHANNEL, XTR SIGNS  
Mounts to U-Channel (1" Hole Centers) at 360°

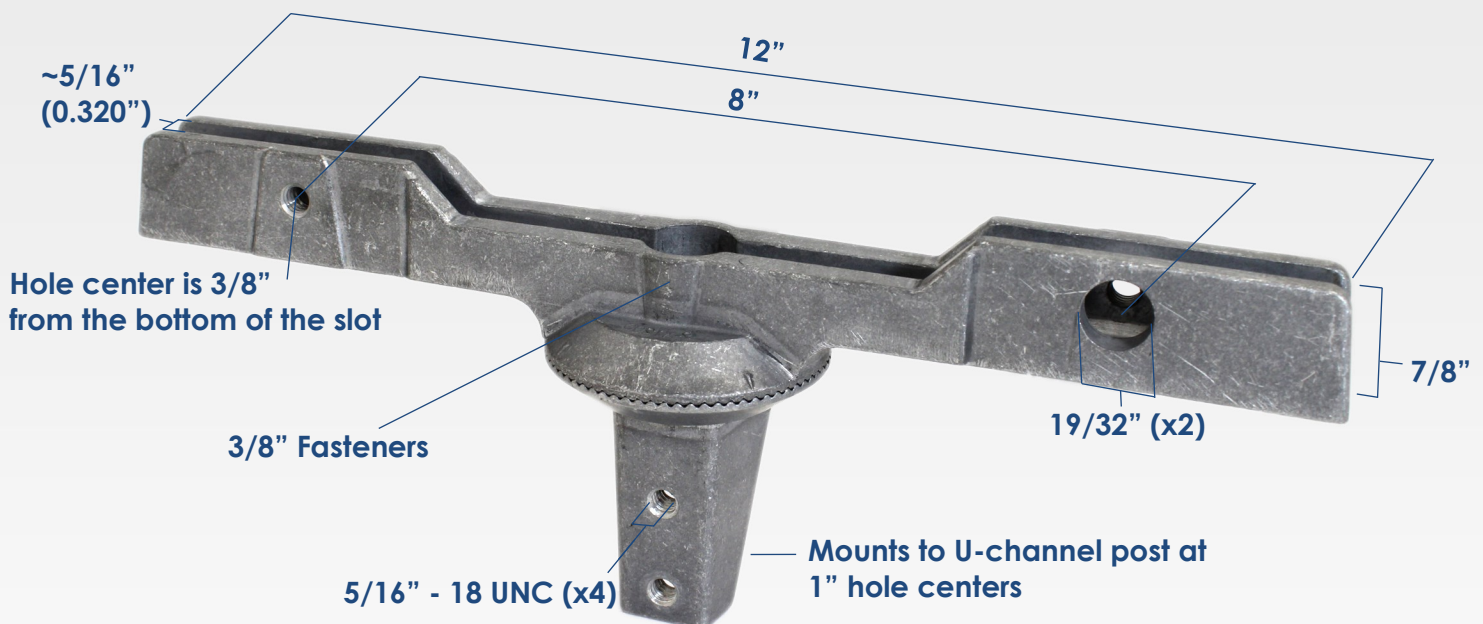
Commonly used throughout North America · Backed by a one-year manufacturer warranty

## Product Specifications:

- Die cast aluminum, will not rust, 100% recyclable
- Vibratory polished to a low sheen
- Can be adjusted a full 360° in 5° increments
- Set screw or bolt thru sign mounting

## Testing Specifications:

- Post mounting fasteners tested at 100 in-lbs torque
- Sign mounting fasteners tested at 50 in-lbs torque
- Center bolt tested at 100 in-lbs torque
- Tested with grade 2 fasteners
- Wind graph available for hurricane ratings
- Fatigue tested to 100,000 cycles



## 12A-U360X-200 Fastener Options

'ZP' = Zinc Plated / 'SS' = Stainless Steel

### 12A-U360X-200

- Includes no fasteners (we can even offer fasteners not listed in our catalogue)

### 12A-U360X-200-ZP / 12A-U360X-200-SS

- SCKT SET SCREW, 5/16"-18UNC X 0.375", KNRLD, 5/32 HEX (x2)
- HEX HEAD BOLT, 5/16"-18UNC X 0.75" (x2)
- HEX HEAD BOLT, 3/8"-16UNC X 0.75" (x1)

### 12A-U360X-200-ZPHB / 12A-U360X-200-SSHB

- HEX HEAD BOLT, 5/16"-18UNC X 0.5" (x2)
- HEX HEAD BOLT, 5/16"-18UNC X 0.75" (x2)
- HEX HEAD BOLT, 3/8"-16UNC X 0.75" (x1)

### 12A-U360X-200-ZPV / 12A-U360X-200-SSV

- SCKT SET SCREW, 5/16"-18UNC X 0.375", KNRLD, PIN-IN, 5/32 HEX (x2)
- BUTTON HEAD BOLT, 5/16"-18UNC X 0.75", PIN-IN, 5/32 HEX (x2)
- HEX HEAD BOLT, 3/8"-16UNC X 0.75" (x1)

### 12A-U360X-200-ZPVB / 12A-U360X-200-SSVB

- BUTTON HEAD BOLT, 5/16"-18UNC X 0.75", PIN-IN, 5/32 HEX (x4)
- HEX HEAD BOLT, 3/8"-16UNC X 0.75" (x1)



**Dyna Engineering Ltd.**  
info@dynaengineers.com

[dynaengineering.com](http://dynaengineering.com)