

12A-CX360

12" ADJUSTABLE/MODULAR CROSS, XTR SIGNS
Stacks signs vertically, 360° fully adjustable

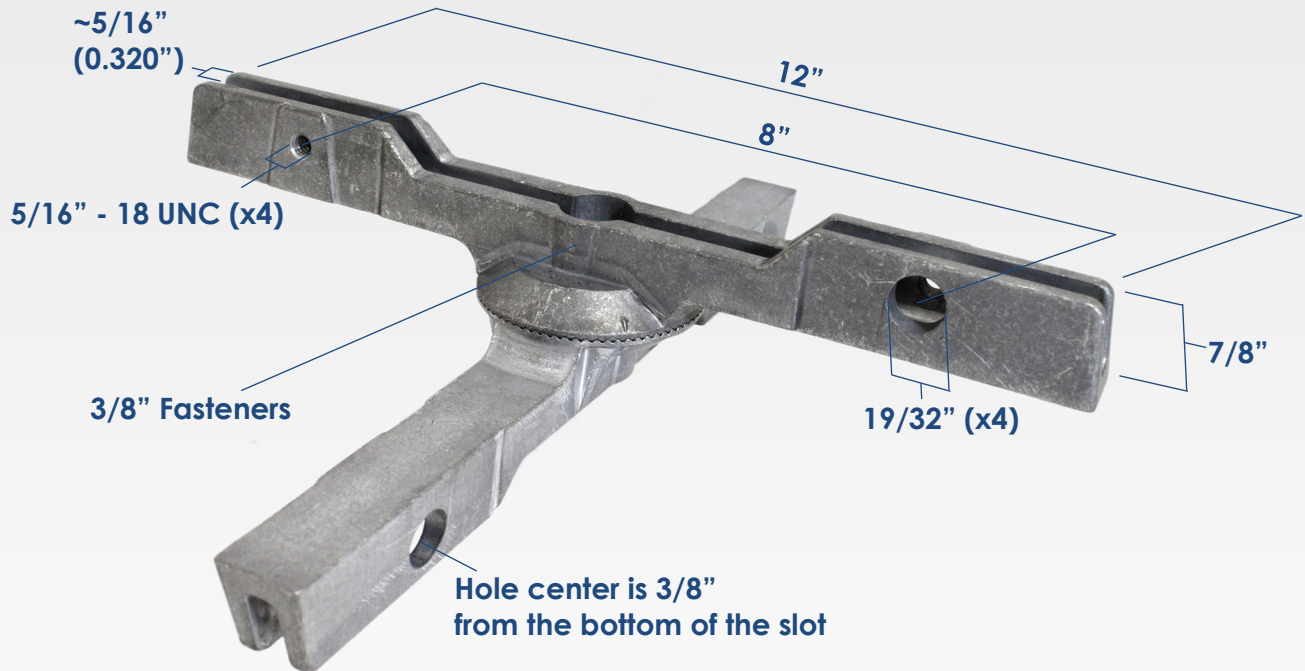
Commonly used throughout North America · Backed by a one-year manufacturer warranty

Product Specifications:

- Die cast aluminum, will not rust, 100% recyclable
- Vibratory polished to a low sheen
- Can be adjusted a full 360° in 5° increments
- Set screw or bolt thru sign mounting

Testing Specifications:

- Sign mounting fasteners tested at 50 in-lbs torque
- Center bolt tested at 100 in-lbs torque
- Tested with grade 2 fasteners
- Wind graph available for hurricane ratings
- Fatigue tested to 100,000 cycles



12A-CX360 Fastener Options

'ZP' = Zinc Plated / 'SS' = Stainless Steel

12A-CX360

- Includes no fasteners (we can even offer fasteners not listed in our catalogue)

12A-CX360-ZP / 12A-CX360-SS

- SCKT SET SCREW, 5/16"-18UNC X 0.375", KNRLD, 5/32 HEX (x4)
- HEX HEAD BOLT, 3/8"-16UNC X 0.75" (x1)
- HEX NUT, ZP, 3/8"-16UNC (x1)

12A-CX360-ZPHB / 12A-CX360-SSHB

- HEX HEAD BOLT, 5/16"-18UNC X 0.5" (x4)
- HEX HEAD BOLT, 3/8"-16UNC X 0.75" (x1)
- HEX NUT, 3/8"-16UNC (x1)

12A-CX360-ZPV / 12A-CX360-SSV

- SCKT SET SCREW, 5/16"-18UNC X 0.375", KNRLD, PIN-IN, 5/32 HEX (x4)
- HEX HEAD BOLT, 3/8"-16UNC X 0.75" (x1)
- HEX NUT, 3/8"-16UNC (x1)

12A-CX360-ZPVB / 12A-CX360-SSVB

- BUTTON HEAD BOLT, 5/16"-18UNC X 0.75", PIN-IN, 5/32 HEX (x4)
- HEX HEAD BOLT, 3/8"-16UNC X 0.75" (x1)
- HEX NUT, 3/8"-16UNC (x1)



Dyna Engineering Ltd.
info@dynaengineers.com

dynaengineering.com