

12-CF90-BLK

12" CROSS, 90 DEG, FLT SIGNS, BLK
Stacks signs vertically at 90°

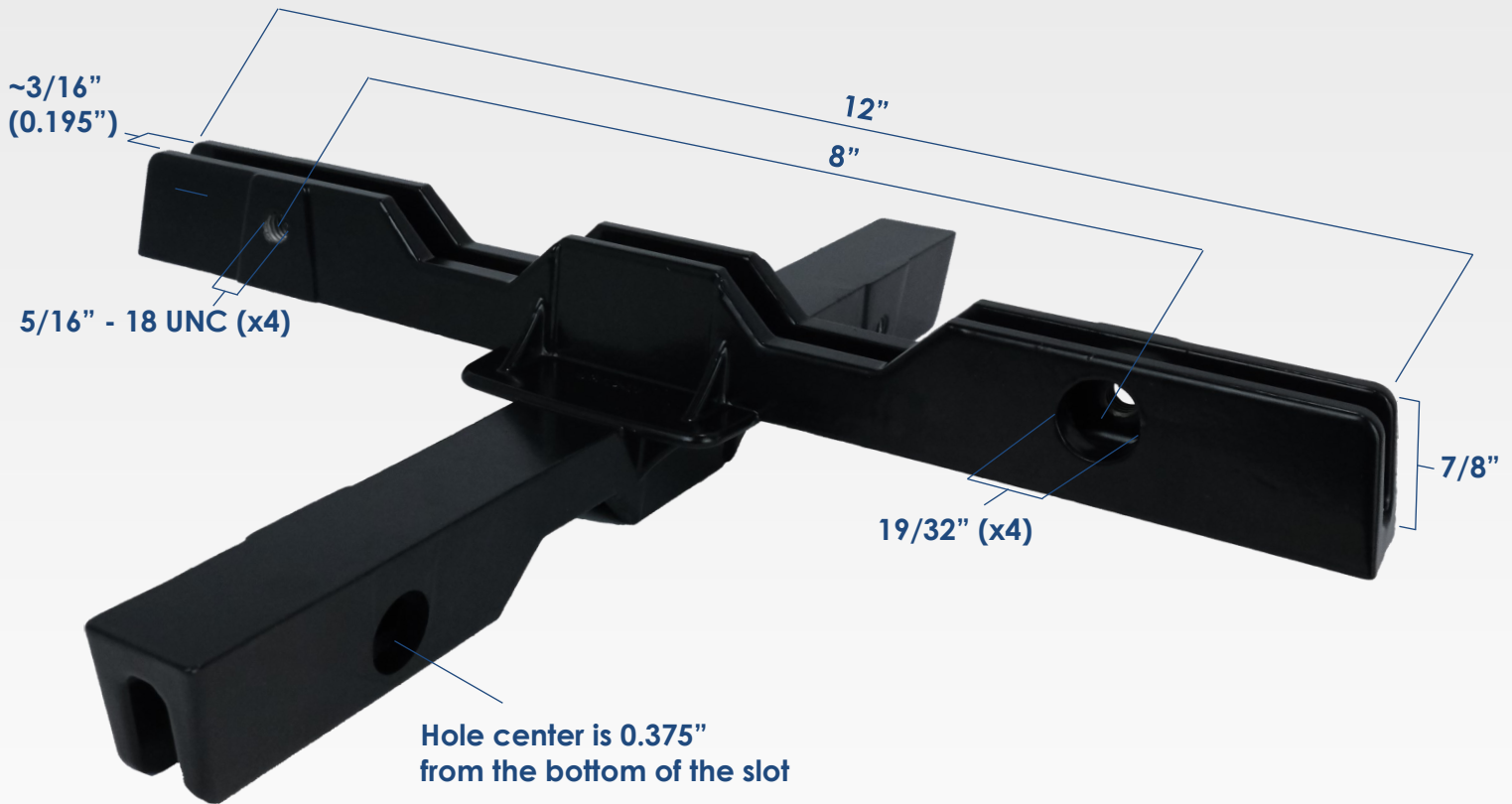
Commonly used throughout North America · Backed by a one-year manufacturer warranty

Product Specifications:

- Die cast aluminum, will not rust, 100% recyclable
- Powder coated black
- Set screw or bolt thru sign mounting

Testing Specifications:

- Sign mounting fasteners tested at 50 in-lbs torque
- Tested with grade 2 fasteners
- Wind graph available for hurricane ratings
- Fatigue tested to 100,000 cycles



12-CF90-BLK Fastener Options

'ZP' = Zinc Plated / 'SS' = Stainless Steel

12-CF90-BLK

- includes no fasteners (we can even offer fasteners not listed in our catalogue)

12-CF90-BLK-ZP / 12-CF90-BLK-SS

- SCKT SET SCREW, 5/16"-18UNC X 0.375", KNRLD, 5/32 HEX (x4)

12-CF90-BLK-ZPHB / 12-CF90-BLK-SSHB

- HEX HEAD BOLT, 5/16"-18UNC X 0.5" (x4)

12-CF90-BLK-ZPV / 12-CF90-BLK-SSV

- SCKT SET SCREW, 5/16"-18UNC X 0.375", KNRLD, PIN-IN, 5/32 HEX (x4)

12-CF90-BLK-ZPVB / 12-CF90-BLK-SSVB

- BUTTON HEAD BOLT, 5/16"-18UNC X 0.75", PIN-IN, 5/32 HEX (x4)



Dyna Engineering Ltd.
info@dynaengineers.com

dynaengineering.com