

# TDO-5 Dispenser w/Solid Lid

Height: 21.8" Width: 12.8" Depth: 16.0"  
(55.4cm) (32.5cm) (40.6cm)

- Faucet handles are labeled sweetened and unsweetened. Side handles are mounted offset for closer side-by-side positioning\* (\* Some TDS-3 and TDS-5 models in stock may not have these features.)
- Sump dispense valve assures complete dispensing



Agency:



## Specifications

**Product #:** 34100.0001

**Finish:** Stainless

**Handle:** Side Carry Handles

**Lid Color:** Solid Smoke Lid

## Additional Features

## Holding Capacity

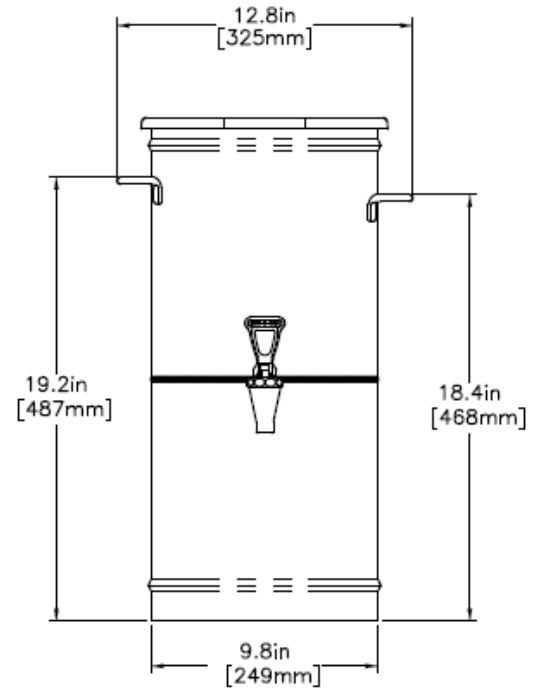
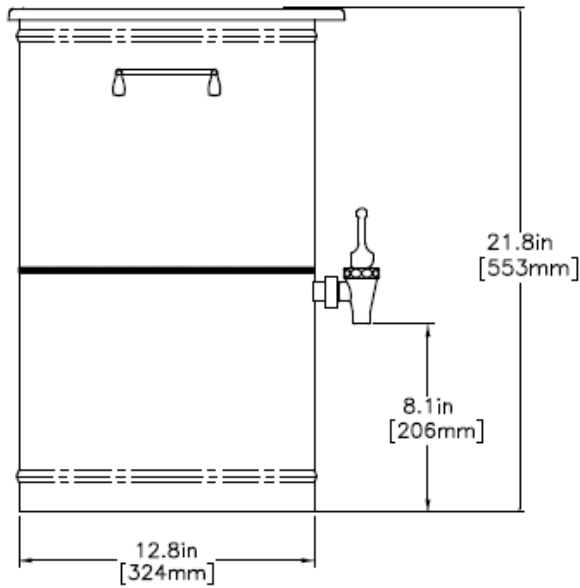
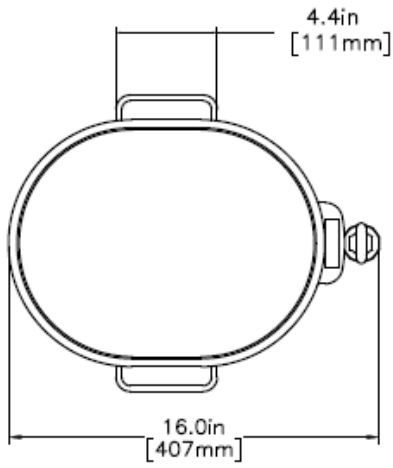
English	Metric
-	-

 **WARNING:**



BUNN® reserves the right to change specifications and product design without notice. Such revisions do not entitle the buyer to corresponding changes, improvements, additions or replacements for previously purchased equipment. For most current specifications and other info visit [bunn.com](http://bunn.com).

**Last Updated:**  
03/30/2023



	Unit			Shipping				
	Height	Width	Depth	Height	Width	Depth	Weight	Volume
English	21.8 in.	12.8 in.	16.0 in.	22.6 in.	13.3 in.	13.3 in.	11.500 lbs	2.299 ft <sup>3</sup>
Metric	55.4 cm	32.5 cm	40.6 cm	57.5 cm	33.7 cm	33.7 cm	5.216 kgs	0.065 m <sup>3</sup>



BUNN® reserves the right to change specifications and product design without notice. Such revisions do not entitle the buyer to corresponding changes, improvements, additions or replacements for previously purchased equipment. For most current specifications and other info visit [bunn.com](http://bunn.com).

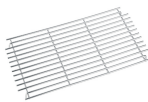
Last Updated:  
03/30/2023

Related Products & Accessories:TDO-5 Dispenser w/Solid Lid(34100.0001)



DRIP TRAY, TDO/TCD

Product #: 03207.0004



WIRE GRILL,DRIP TRAY (SINGLE)

Product #: 26801.0000



DRIP TRAY KIT, TCD/TDO

Product #: 38029.1000



KIT, PUSH STYLE SST HANDLE ADAPTER

Product #: 57480.0000



BUNN® reserves the right to change specifications and product design without notice. Such revisions do not entitle the buyer to corresponding changes, improvements, additions or replacements for previously purchased equipment. For most current specifications and other info visit [bunn.com](http://bunn.com).

Last Updated: 03/30/2023

# Model Compatibility: TDO-5 Dispenser w/Solid Lid(34100.0001)

\*Serving and Holding selections are currently unavailable. Please contact your sales representative to find out more information.\*



BUNN® reserves the right to change specifications and product design without notice. Such revisions do not entitle the buyer to corresponding changes, improvements, additions or replacements for previously purchased equipment. For most current specifications and other info visit [bunn.com](http://bunn.com).

Last Updated:  
03/30/2023