
User Manual for Reach-In and Merchandiser

Models

Reach in
Merchandiser

IMPORTANT

This manual should be read carefully before the appliance is serviced. Read the warnings and guidelines contained in this manual carefully as they provide essential information for the continued safe use, service, and maintenance of the appliance. Retain this manual for any further reference that may be necessary.

INDEX

SPECIFICATION CHART	2
MACHINE INTRODUCTION	3
1.1 Introduction to machine & models	3
1.2 Important safety information	3
1.3 For R290 (Propane) refrigerant units.....	3
INSTALLATION	7
2.1 General information	7
2.2 Transport, handling, unpacking, location	8
2.3 Intended use and restrictions	8
2.4 Manufacturer’s identification label description	8
2.5 Installation and assembly	9
2.6 Connections	9
OPERATION	10
3.1 General information.	10
3.2 Control panel description.	10
3.2.1 Electronic controller for refrigerator and freezers.....	10
3.2.2 Electronic Control (Advance)	11
3.3 Machine settings and programs	12
3.3.1 Setting and programs.....	12
3.3.2 Setting and programs (Advance).....	13
MAINTENANCE	14
4.1 General safety rules	14
4.2 Machine cleaning and maintenance routine	14
4.2.1 Cleaning the Condenser Coil	14
4.2.2 Cleaning the Gasket	15
4.2.3 Draining the Unit.....	15
4.3 Machine disposal	15
TROUBLESHOOTING CHART	16
5.1 Troubleshooting chart	16
ELECTRIC DIAGRAM	17

SPECIFICATION CHART

UNIT TYPE	APPLICATION	SIZE (ft^3)	DOOR TYPE	DOOR QTY.	GAS TYPE	AMOUNT GAS (Oz.)	VOLTAGE (V)	AMPERAGE (A)
REACH IN	REFRIGERATION	17	SOLID	1	R-290	4.2	115	2.0
			GLASS (G)		R-134A	9.8	220	3.1
	FREEZER		SOLID		R-290	4.2	115	4.0
			GLASS (G)		R-404A	16.6	220	4.5
	REFRIGERATION	23	SOLID	1	R-290	4.2	115	2.0
			GLASS (G)		R-134A	11.3	220	3.1
	FREEZER		SOLID		R-290	4.2	115	4.0
			GLASS (G)		R-404A	16.6	220	4.5
	REFRIGERATION	WRR 23 HC	SOLID	1	R-290	3.5	115	2.0
	FREEZER	WRF 23 HC			R-290	3.8	115	4.0
	REFRIGERATION	37	SOLID	2	R-290	4.6	115	3.0
			GLASS (G)		R-134A	13.4	220	3.5
	FREEZER		SOLID		R-290	5.3	115	8.0
			GLASS (G)		R-404A	21.5	220	4.5
	REFRIGERATION	49	SOLID	2	R-290	4.6	115	3.0
			GLASS (G)		R-134A	13.4	220	3.5
FREEZER	SOLID		R-290		5.3	115	8.0	
	GLASS (G)		R-404A		21.5	220	4.5	
REFRIGERATION	72*	SOLID	3	R-290	4.6	115	7.0	
		GLASS (G)		R-404A	22.2	220	6.5	
FREEZER		SOLID		R-290	4.2	115	9.0	
		GLASS (G)		R-404A	16.6	220	16.0	
MERCHANDISER	REFRIGERATION	17	GLASS (G)	1	R-290	4.2	115	2.0
			GLASS (G)		R-134A	9.8	220	3.1
	FREEZER		GLASS (G)		R-290	4.2	115	4.0
			GLASS (G)		R-404A	16.6	220	4.5
	REFRIGERATION	23	GLASS (G)	1	R-290	4.2	115	2.0
			GLASS (G)		R-134A	11.3	220	3.1
	FREEZER		GLASS (G)		R-290	4.2	115	4.0
			GLASS (G)		R-404A	16.6	220	4.5
	REFRIGERATION	35-SD	SLIDING GLASS DOOR	2	R-290	4.6	115	3.0
	REFRIGERATION	37	GLASS (G)	2	R-290	4.6	115	3.0
			GLASS (G)		R-134A	13.4	220	3.5
	FREEZER		GLASS (G)		R-290	5.3	115	8.0
			GLASS (G)		R-404A	21.5	220	4.5
	REFRIGERATION	47-SD	SLIDING GLASS DOOR	2	R-290	4.6	115	3.0
REFRIGERATION	49	GLASS (G)	2	R-134A	13.4	220	3.5	
		GLASS (G)		R-290	4.6	115	3.0	
REFRIGERATION	72*	GLASS (G)	3	R-290	4.6	115	7.0	
		GLASS (G)		R-404A	22.2	220	6.5	

*Models with two unit of condensing

MACHINE INTRODUCTION

1.1 Introduction to machine & models

Thank you for choosing our Reach In's which were designed and manufactured with the high quality materials and components to ensure the durability and performance of day at day with low energy consumption.

Details make this line unique.

- New enhanced digital controller and display.
- Digital controller refrigerators to keep food quality for longer period of time.
- Open door alarm and user friendly controls to adapt to different environments.
- Factory balanced refrigeration system, environmentally friendly R-134a / R-404A or R-290.
- Stainless steel covered corner floor to meet NSF requirements.
- 4" castors and door locks standard.
- Recessed door handles
- LED lights to showcase the best out of your products
- Glass door with dual, for refrigerators, and triple panel for freezers contributing to energy efficiency and savings.

1.2 Important safety information



DANGER: Power must be turned off and disconnected from the power source whenever performing maintenance, repair or cleaning the condensing unit.

If machine still running when power is off, disconnect power at the circuit breaker before unplugging the machine.



WARNING: Machine and compressor warranties are void if failure is due to improper electrical installation.

Do not introduce hot foods, chemical or corrosive products, drugs, or open beverage bottles.

1.3 For R290 (Propane) refrigerant units



Warning: this unit uses R-290(propane) as refrigerant. These hydrocarbon refrigerants are highly environmentally compatible but also are flammable and combustible. Please read this manual thoroughly before installing and operating the unit. Please take cautions measures to avoid risk of fire or explosion.

**PLEASE REFERER TO LABEL INSIDE THE CABINET TO CHECK
REFRIGERATION TYPE**



DANGER - Risk of fire or explosion. Flammable refrigerant used. Do not use mechanical devices to defrost refrigerator. Do not puncture refrigerant tubing. Consult repair manual/owner's guide before attempting to service this product. All safety precautions must be followed.



DANGER - Risk of fire or explosion. Flammable refrigerant used. To be repaired only by trained service personnel. Do not puncture refrigerant tubing.



CAUTION - Risk of fire or explosion. Dispose of properly in accordance with federal or local regulations. Flammable refrigerant used.



DANGER - Risk of fire or explosion due to puncture of refrigerant tubing; follow handling instructions carefully. Flammable refrigerant used.



WARNING


- Keep ventilation opening in the appliance enclosure or in the built-in structure and free of obstructions.
- Do not use mechanical devices or other means to accelerate the defrosting process, other than those recommended by the manufacturer.
- Do not damage the refrigerant circuit.
- Do not use electrical appliances inside the food storage compartments of the appliance, unless they are of a type recommended by the manufacturer.

WARNING

The appliance should be destined only to the use for which it has been expressly conceived. Any other use should be considered improper and therefore dangerous.

The manufacturer cannot be held responsible for injury or damage resulting from improper, incorrect, and unreasonable use. Failure to install, operate, and maintain the appliance in accordance with this manual will adversely affect safety, performance, component life, and warranty coverage.

To reduce the risk of death, electric shock, serious injury, or fire, follow basic precautions including the following:

- Only qualified service technicians should install and service the appliance.
- The appliance must be installed in accordance with applicable national, state, and local codes and regulations.
- Appliance is heavy. Use care when lifting or positioning. Work in pairs when needed to prevent injury or damage. Do not lift using the top section or the doors.
- To reduce the risk of electric shock, do not touch the plug or power switch with damp hands.
- Make sure the power switch is in the “OFF” position before plugging in or unplugging the appliance the risk of electric shock.
- Before servicing, move the power switch to the “OFF” position. Unplug the appliance from electrical outlet.
- This appliance requires an independent power supply of proper capacity. See name plate for electrical specifications. Failure to use an independent power supply of proper capacity can result in a tripped breaker, blown fuse, damage to existing wiring, or component failure. This could lead to heat generation or fire.
- **115 VAC Models: THE APPLIANCE MUST BE GROUNDED:** The appliance is equipped with a NEMA 5-15 three-prong grounding plug  to reduce the risk of potential shock hazards. It must be plugged into a properly grounded, independent 3-prong wall outlet. If the outlet is a 2-prong outlet, it is your personal responsibility to have a qualified electrician replace it with a properly grounded, independent 3-prong wall outlet. Do not remove the ground prong from the power cord and do not use an adapter plug. Failure to follow these instructions may result in death, electric shock, or fire. Handle the unit with care in order to avoid any serious damages to the refrigeration system. The refrigerant tubing, condenser, evaporator coils are easily prone to damage while handling, moving, installing, and cleaning the unit, which may lead to fire or even explosion.
- The appliance is designed only for storage and display of non-potentially-hazardous bottled or canned products only. Employ sanitary methods. Use for any other purposes (for example, storage of chemicals or medical supplies such as vaccine and serum) could cause deterioration of stored items.
- Do not use an extension cord.
- Do not use an appliance with damaged power cord. The power cord should not be altered, jerked, bundled, weighed down, pinched, or tangled. Such actions could result in electric shock or fire. To unplug the appliance, be sure to pull the plug, not the cord, and do not jerk the cord.
- The GREEN ground wire in the factory-installed power cord is connected to the appliance. If it becomes necessary to remove or replace the power cord, be sure to connect the power cord’s ground wire.
- Do not splash, pour, or spray water directly onto or into the appliance. This might cause short circuit, electric shock, corrosion or failure.

- Do not make any alterations to the appliance. Alterations could result in electric shock, injury, fire, or damage to the appliance.
- The appliance is not intended for use by persons (including children) with reduced physical, sensory, or mental capabilities, or lack of experience and knowledge, unless they have been given supervision or instruction concerning use of the appliance by a person responsible for their safety.
- Children should be properly supervised around the appliance.
- Do not climb, stand, or hang on the appliance or doors or allow children or animals to do so. Do not climb into the appliance or allow children or animals to do so. Death or serious injury could occur or the appliance could be damaged.
- Be careful not to pinch fingers when opening and closing the doors when children are in the area.
- Open and close the doors with care. Opening the doors too quickly or forcefully may cause injury or damage to the appliance or surrounding equipment.
- Do not use combustible spray or place volatile or flammable substances in or near the appliance. They might catch fire.
- Keep the area around the appliance clean dirt, dust or insects in the appliance could cause harm to individuals or damage to the equipment.
- Do not throw anything onto the shelves or load any single shelf with more than 100lb.(45 kg) of product they might fall off and cause injury
- Do not block air inlets or outlets, otherwise cooling performance may be reduced.
- Do not tightly pack the cabinet. Allow some space between items to ensure good air flow. Also allow space between items and interior surfaces.
- Refrigerant squirting out of the pipes could ignite or cause an eye injury. If a leak is detected, avoid any open flames or potential sources of ignition and air out the room in which the appliance is standing for several minutes.
- In order to avoid the creation of a flammable gas-air mixture in case of a leak in the refrigerating circuit, the size of the room in which the appliance is placed depends on the amount of refrigerant used. The amount of refrigerant in your particular appliance is shown on the label inside the cabinet.



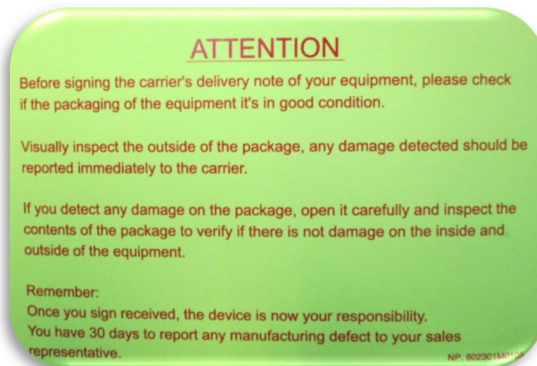
This appliance contains a small amount of propane (R-290) a gas with high environmental compatibility, but it is also combustible. When transporting and installing the appliance, care should be taken to ensure that no part of the refrigerating circuit are damaged.

- Never start up an appliance showing any signs of damage. When in doubt, contact a qualified service professional.
- In case of any hazardous activities such as fire or explosion, move the unit away from any source of ignition to a well ventilated area.
- Further service and repair must be done by a qualified technician who is familiar with the safety standards, and also has thorough understanding and knowledge of the flammable refrigerants.
- Any and all technicians handling these units must be equipped with proper personal protection and equipment and follow applicable safety measures and precaution to avoid risk of fire or explosion.

INSTALLATION

2.1 General information

You can find in you equipment the following symbols, or stickers to identify some type of warnings or useful information about your equipment.



2.2 Transport, handling, unpacking, location

Upon receiving your new equipment, check the package and the machine for any damages that may have occurred during transportation. Visually inspect the exterior of the package, if damaged, open and inspect the contents with the carrier. Any damage should be noted and reported on the delivering carrier's receipt.

In the event that the exterior is not damaged, yet upon opening, there is concealed damage to the equipment notify the carrier immediately. Notification should be made verbally as well as in written form. Request an inspection by the shipping company of the damaged equipment.

Retain all crating material until inspection has been made. Contact the dealer through which you purchased the unit.

Check the compressor compartment housing and visually inspect the refrigeration package. Be sure lines are secure and base is still intact.

2.3 Intended use and restrictions

This equipment is not designed for personal, family, or household purposes, and its sale for such purposes is not intended. In the event the equipment is so used, this warranty shall be null and void, and the equipment is so used, this warranty shall be null and void, and the equipment shall be deemed to have been sold "as is-where is" without any warranty of any kind, including without limitation any warranty of title, non-infringement, merchant-ability or fitness for a particular purpose.

The appliance complies with **UL471** and **NSF-7 STANDARDS**.

2.4 Manufacturer's identification label description

The data plate is located inside the cabinet, near the top front, left corner. Under no circumstances should the data plate be removed from the unit. The data plate is essential to identify the particular features of your machine and it is of great benefit to installers, operators, and maintenance personnel. It is recommended that, in the event the data plate is removed, you copy down the essential information in this manual for reference before installation. Removal of data plate will void the warranty.

The image shows a manufacturer's identification label with various technical specifications and callouts. The label is divided into several sections:

- Code Product:** 19032041
- Model:** MOD. ABBC 58 G
- Electrical specs:** 115V 50/60Hz 1P 6,5A
- Refrigerant Type:** R-134a
- Serial Number (10 digits):** 8101678173
- Manufacture Year:** 2019
- Refrigerant Charge:** 9,9/280

Other information on the label includes: FIM970306PH5, MADE IN MEXICO, Pot. Refrigerant Rating Capacity (BTU/hr-W), Lámpara Lamp 5.0 W, Descarche Defrost 0.0, Clase Climat. Climate Class N, Temp. -2°C / 5°C, Agente Expandente Blowing Agent ECO, Condensación Condenser VENT, Presión de diseño lado de baja Low side pressure design (PSI / BAR) 132/9, Compresor Compressor (HP) 1/3, Presión de diseño lado de alta High side pressure design (PSI / BAR) 300/20, PCA CURTO 1430, and two barcode sections with the serial number 8101678173 and model number 19032041.

2.5 Installation and assembly

Units represented in this manual are intended for indoor use only. Be sure the location chosen has a floor strong enough to support the total weight of the unit and contents. For the most efficient operation, be sure to provide good air circulation inside and outside of the unit.

INSIDE CABINET

The first cleaning must be made when you unpack the unit and before switching it on. Clean it with water and a mild detergent. When it is clean and dry, insert the accessories in the appropriate places, for the best use of the user.

OUTSIDE CABINET

Be sure the unit has good air circulation around it. Avoid hot corners and locations near stoves and ovens. It is recommended the unit be installed no closer than 2" from any wall. The place where the refrigerator is placed must be open and clean, avoiding that the fan of the condensing unit absorbs materials which are deposited then into the condenser blades and coil, which can produce failures.

The unit should not be installed under ambient temperatures higher than 100 °F.

If the relative humidity is higher than 60 %, the door frames may sweat water. This is not a malfunctioning of the unit.

2.6 Connections

Refer to the amperage data in this manual or on data plate and your local code or the National Electrical Code to be sure unit is connected to the proper power source. Verify correct incoming voltage according to the Data Plate information.

The data plate is located inside the unit, near the top front left corner. Under any circumstances should the data plate be removed from the unit!

The data plate is essential to identify the particular features of your unit and is of great benefit to installers, operators and maintenance personnel. It is recommended that, in the event the data plate is removed, you copy down the essential information in this manual for reference before installation.

A protected circuit of the correct voltage and amperage must be run for connection of the supply cord. Unit must be grounded and connected in accordance with NEC Article 422 Appliances.

OPERATION

3.1 General information.

Good air flow inside the cabinet is critical. Do not block air flow to the fans. Allow three inches of space along the front, back, and sides.

3.2 Control panel description.

3.2.1 Electronic controller for refrigerator and freezers

After connecting your unit, turn ON general switch located next to the controller. The display will light up showing the temperature inside the unit. Also, the compressor icon will be flashing for a period of three minutes. After this delay the unit will start cooling.

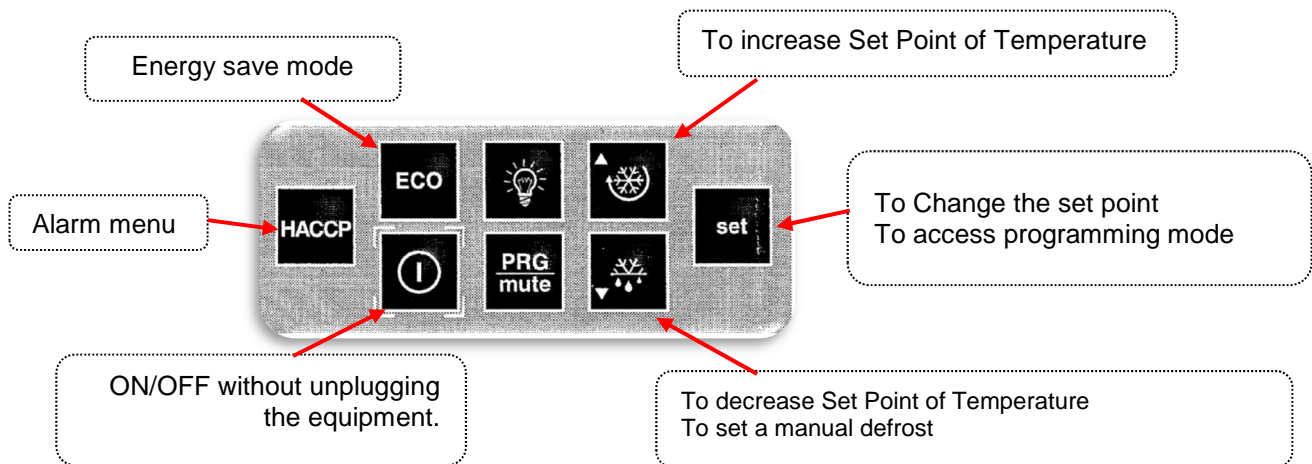
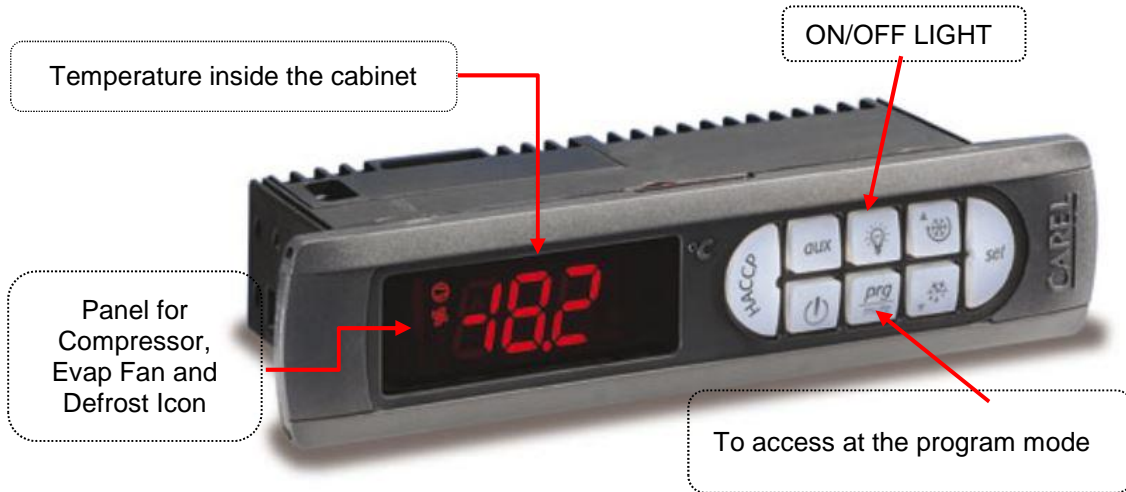
Verify you don't have any alarms on the display. If after you turn ON the equipment the controller shows the alarm icon or an error code, call for technical service. They will help you fix the problem.



3.2.2 Electronic Control (Advance)

After connecting your unit, turn ON rocker switch located next to the controller. The display will light up showing the temperature inside the unit. Also, the compressor and fan icons will flash for a period of three minutes. After this delay the unit will start cooling.

Verify you don't have any alarms on the temperature controller. If after you turn ON the equipment the controller shows the alarm icon or an error code, call for technical service. They will help you fix the problem.



3.3 Machine settings and programs

3.3.1 Setting and programs.

Changing the Set Point of the temperature on the controller

The unit comes with a factory default set point (32°F Refrigerators and -8F for Freezers). These set values will make the unit perform at its maximum capacity. Therefore, it is not recommended to change the set point. If set point needs to be changed, follow the next steps.

1. Push the SET button until the see the words “uLn” on display and release, now push the SET button agin by two seconds and will see flashing the compressor icon, release the button



2. Press the up and down arrows to increase or decrease the set temperature. Then press the SET button to save the new set point.

Note:

The maximum value you can set in the controller is: For refrigerators: 3°C (38°F) and Freezers -16C (2F)

The minimum value you can set in the controller is: For refrigerators: -1°C (30°F) and For Freezers - 23C (-10F)

Setting a Manual Defrost

To select manual defrost, Push the SET button until the see the words “uLn” on display and release, now push and hold the button UP arrow for 5 seconds. The snow flake icon will appear on the display. When this icon is solid it indicates that the equipment is in Defrost mode.

To exit manual defrost, Push the SET button until the see the words “uLn” on display and release, now push and hold the button UP arrow for 5 seconds. The snow flake icon will turn off. Wait 2 minutes for the compressor to start

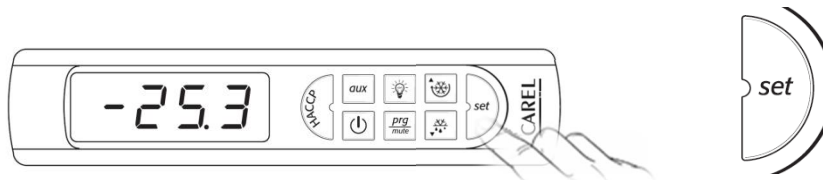
IF YOU NEED MORE INFORMATION PLEASE CONTACT THE TECHNICAL SUPPORT

3.3.2 Setting and programs (Advance)

Changing the Set Point of the temperature on the controller

The unit comes with a factory default set point (32°F Refrigerators). These set values will make the unit perform at its maximum capacity. Therefore, it is not recommended to change the set point. If set point needs to be changed, follow the next steps.

1. Push the SET button for one second. You should see a flashing number. Release the button.



2. Press the up and down arrows to increase or decrease the set temperature. Then press the set button to save the new set point.



Note:

The maximum value you can set in the controller is: For refrigerators: 5°C (40°F)

3. If you wish decrease the value of the set point for a new temperature, press the button DOWN arrow (see the picture below). Press this button to reach the desired value. Release the button and then press the SET button to keep, and save, the new value.



Note:

The minimum value you can set in the controller is: For refrigerators: -1°C (30°F)

Manual Defrost

To select manual defrost, hold the button DOWN arrow for 5 seconds. The snow flake icon will appear on the display. When this icon is solid it indicates that the equipment is in Defrost mode.



To exit manual defrost, hold the DOWN button arrow for 5 seconds. The snow flake icon will turn off. Wait 2 minutes for the compressor to start

MAINTENANCE

4.1 General safety rules

Neglecting the condenser coil cleaning procedures WILL VOID YOUR WARRANTY associated with the compressor or cost to replace the compressor!

Proper cleaning of stainless steel requires soft cloths or plastic scouring pads. Never use steel pads, wire brushes or scrapers!

4.2 Machine cleaning and maintenance routine

Cleaning solutions need to be alkaline or non-chloride cleaners. Any cleaner containing chlorides will damage the protective film of the stainless steel. Chlorides are also commonly found in hard water, salts, and household and industrial cleaners. If cleaner containing chlorides are used be sure to rinse repeatedly and dry thoroughly upon completion.

Routine cleaning of stainless steel can be done with soap and water. Extreme stains or grease should be cleaned with a non-abrasive cleaner and plastic scrub pad. There are also stainless steel cleaners available which can restore and preserve the finish of the steels protective layer.

Never use an acid based cleaning solution! Many food products have an acidic content which can deteriorate the finish. Be sure to clean the ALL food products from any stainless steel surface. Common items include peppers, tomatoes and other vegetables.

4.2.1 Cleaning the Condenser Coil

Disconnect machine. Remove front bottom panel and carefully slide out the condensing unit. The condenser coil requires regular cleaning; recommended every 30-60 days, depending of the accumulation of dust and grease. If the buildup on the coil consists of only light dust and debris the condenser coil can be cleaned with a simple brush. Heavier dust build up may require a vacuum or even compressed air to blow through the condenser coil. If heavy grease is present there are de-greasing agents available for refrigeration use and specifically for the condenser coils. The condenser coil may require a spray with the de-greasing agent and then blown through with compressed air.

Be sure all electrical and mechanical parts are dry before turning on the power.

Never use a high pressure water wash for this cleaning procedure as water can damage the electrical components located near or at the condenser coil. Do not place filter material in front of condenser coil. This material blocks airflow to the coil similar to having a dirty coil!

If you keep the Condenser clean you will minimize your service expense and lower your electrical costs. Failure to maintain a clean condenser coil can initially cause high temperatures and excessive run times. Continuous operation with dirty or clogged condenser coils can result in compressor failures.

To put back the condensing unit in its place, slide in the unit carefully. BE SURE DRAIN PIPE IS LOCATED OVER THE PAN. Replace front bottom panel

4.2.2 Cleaning the Gasket

Gaskets require regular cleaning to prevent mold and mildew build up and also to keep the elasticity of the gasket. Gasket cleaning can be done with the use of warm soapy water. Avoid full strength cleaning products on gaskets as this can cause them to become brittle and prevent proper seals. Also, never use sharp tools or knives to scrape or clean the gasket which could possibly tear the gasket and rip the bellows.

Gaskets can easily be replaced and do not require the use of tools or authorized service persons.

The gaskets can be pulled out of the grove in the door and new gaskets can be “pressed” back into place.

4.2.3 Draining the Unit

Each unit has a drain located inside the unit which removes the condensation from the evaporator coil and evaporates it at an external condensate evaporator pan. Each drain can become loose or disconnected from moving or bumping the drain.

IF YOU NOTICE EXCESSIVE WATER ACCUMULATION ON THE INSIDE OF THE UNIT be sure the drain tube is connected from the evaporator housing to the condensate evaporator drain pan.

IF WATER IS COLLECTED UNDERNEATH THE UNIT you may want to check the condensate evaporator drain tube to be sure it is still located inside the drain pan. The leveling of the unit is important as the units are designed to drain properly when on a level surface, if your floor is not level this can also cause drain problems. Be sure all drain lines are free of obstructions; typically food product is found blocking drain lines causing water to back up and overflow the drain pans.

4.3 Machine disposal

⚠ WARNING

When preparing the appliance for disposal, remove the door to reduce the risk of children getting trapped. Leave the shelves in place so that children may not easily climb inside.

The product's life-cycle is around 7 to 10 year from first use and operation date.

The equipment is manufactured without dangerous or toxic materials. Some parts of the equipments are biodegradable.

The disposing after the product's life-cycle shall be determined by the customer according to the rules and laws established in the city or State of residence.

The appliance contains refrigerant and must be disposed of in accordance with applicable national, state, and local codes and regulations. Refrigerant must be recovered by properly certified service personnel

REMEMBER TO TAKE CARE OF THE ENVIRONMENT.

TROUBLESHOOTING CHART

5.1 Troubleshooting chart

Follow the next steps before requesting warranty service. Failure to do so, may result in service charges for you and may void your warranty:

- 1) Refrigerator doesn't work:
 - a. Check that the machine is still connected.
 - b. Check that the ON/OFF button is in the ON position.

- 2) Refrigerator doesn't reach temperature :
 - a. Verify unit is not on saving mode
 - b. Check that the thermostat is not in OFF position.
 - c. Check that the machine is not in the defrost cycle.
 - d. Ensure Equipment is in a ventilated place and removed minimum of 2 inches from any other appliance and away from any heat source.
 - e. The environment maximum temperature must be 38 °C/ 100°F.
 - f. To insure proper air flow, product must not be placed higher than the maximum level mark located on the internal wall of the unit.
 - g. If FREEZER, check that the temperature is not Celsius.
 - h. Check that the gasket is in good condition and door is sealed.
 - i. Check that the fan is moving. Open the door and press and hold doors witch for verification.
 - j. Don't put any food inside until the unit has reached the proper temperature.
 - k. If FREEZER, food must be previously frozen before being placed inside the cabinet.
 - l. Be sure castors or legs were installed.

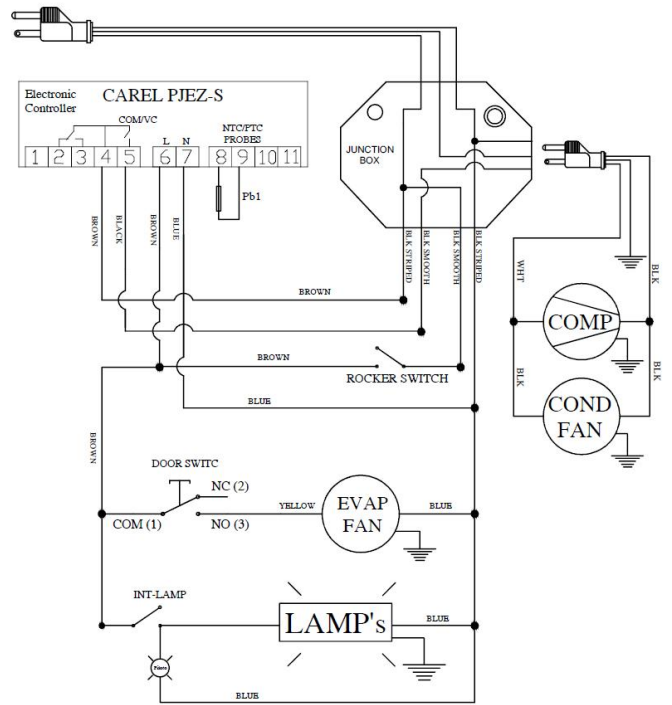
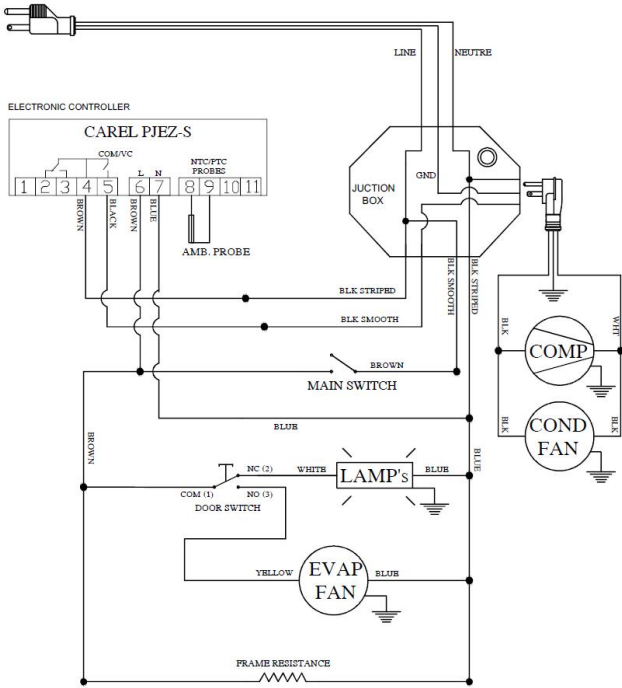
- 3) There is water inside the refrigerator:
 - a. Check that the drain pan inside the cabinet is in position.
 - b. Check that there is not food clogging the drain line.

- 4) There is water under the refrigerator:
 - a. Check that the drain pipe is over the pan.
 - b. Check that the cabinet is level.

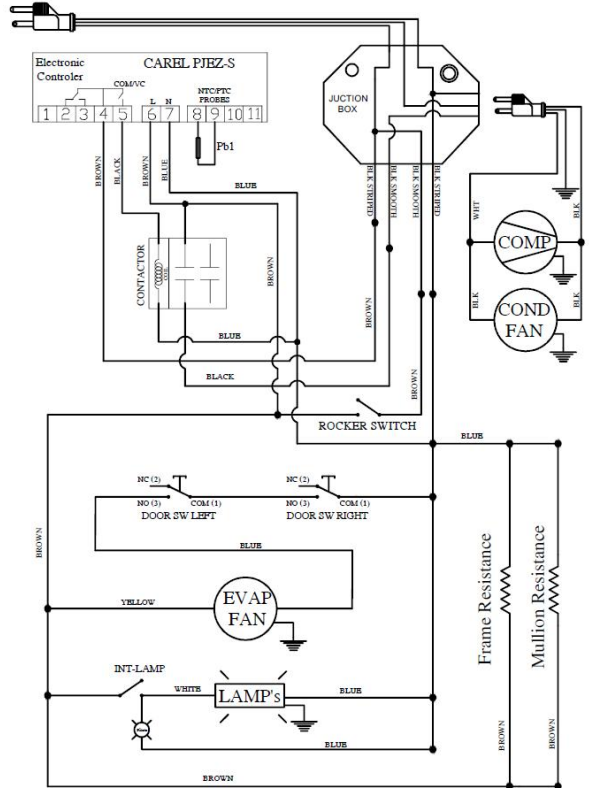
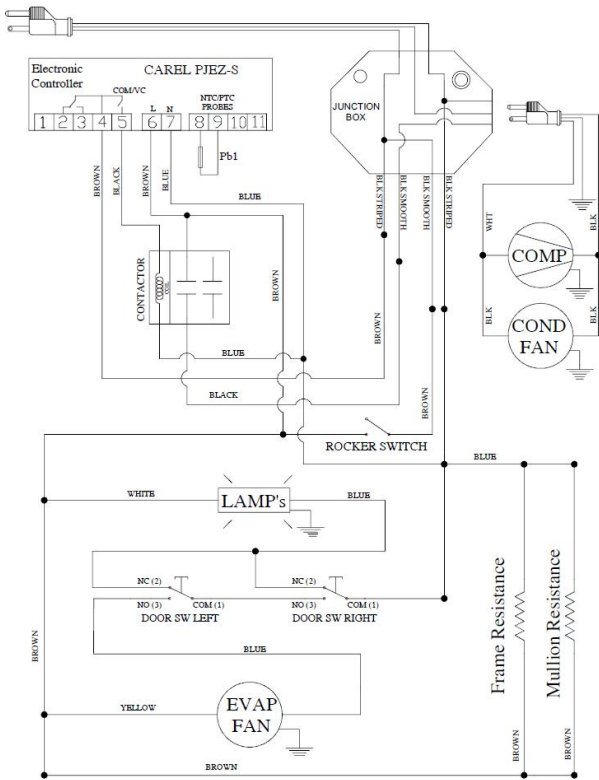
Warning: To insure proper operation of equipment, it is recommended that the unit is on for 24 hours prior to the introduction of perishables.

ELECTRIC DIAGRAM

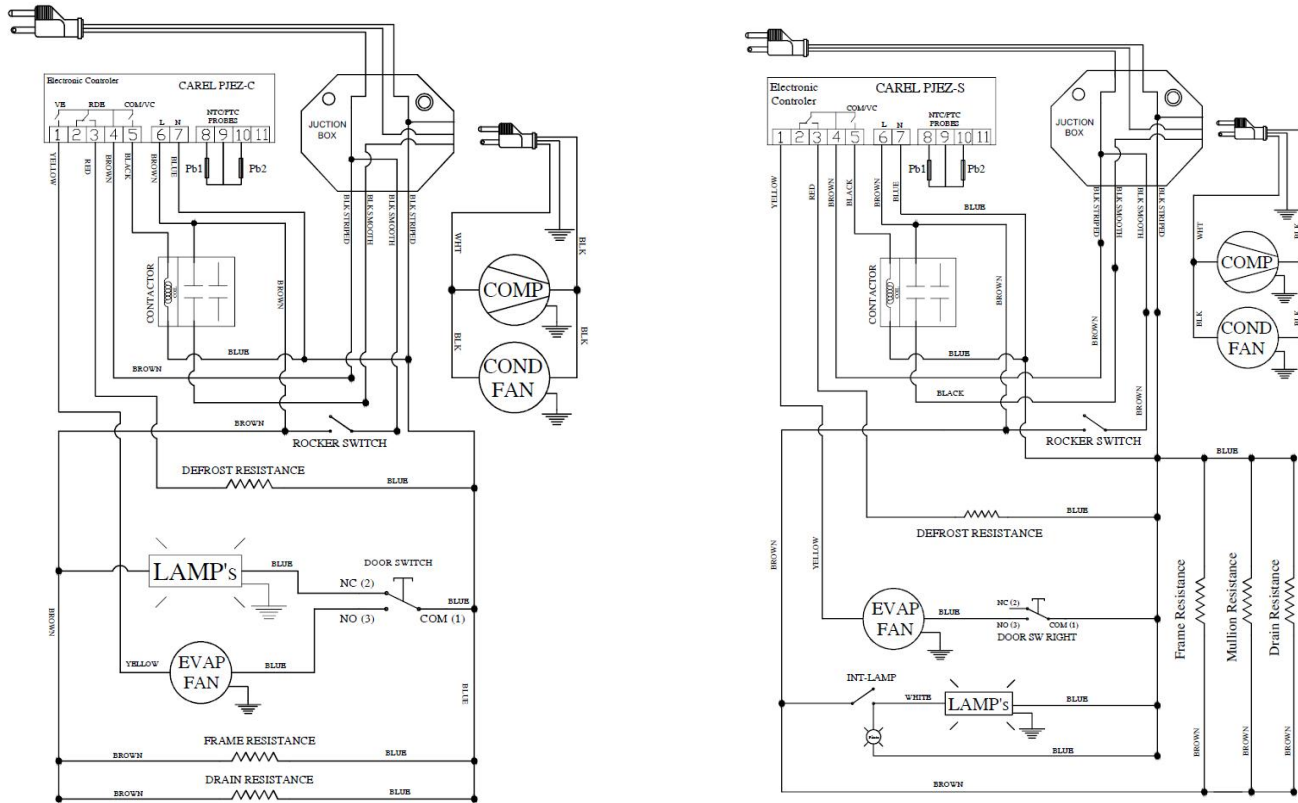
REACH IN REFRIGERATION 17' AND 23' (SOLID AND GLASS DOOR)



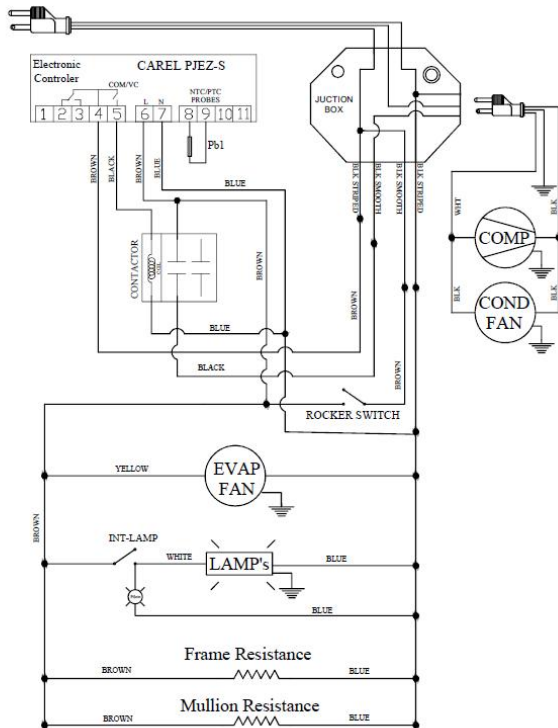
REACH IN 37' AND 49' (SOLID AND GLASS DOORS)



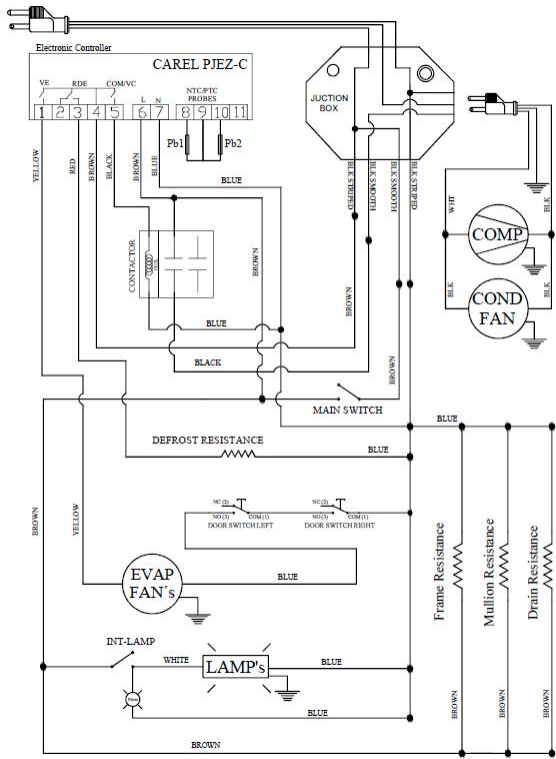
REACH IN FREEZER 17' AND 23 (SOLID AND GLASS DOOR)



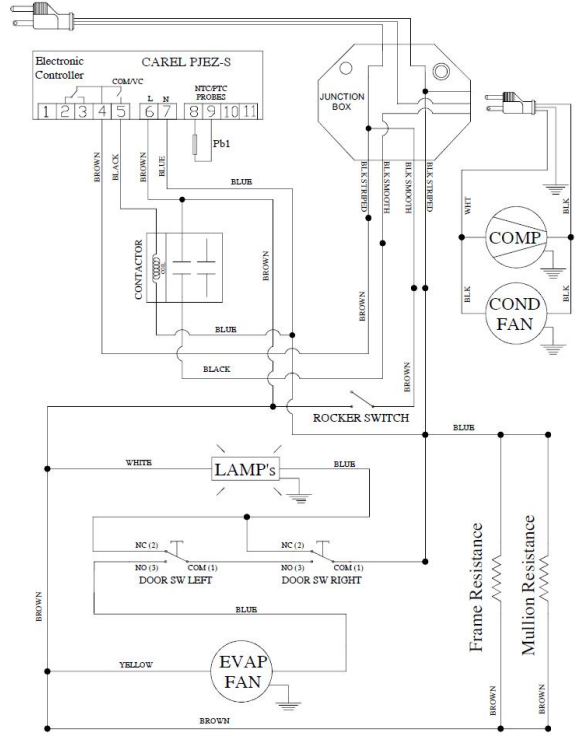
MERCHANDISER REFRIGERATION 35' AND 47" (SLIDING DOOR)



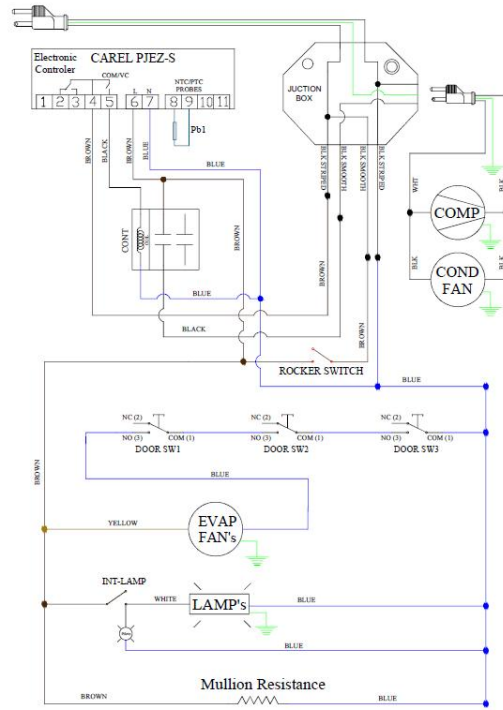
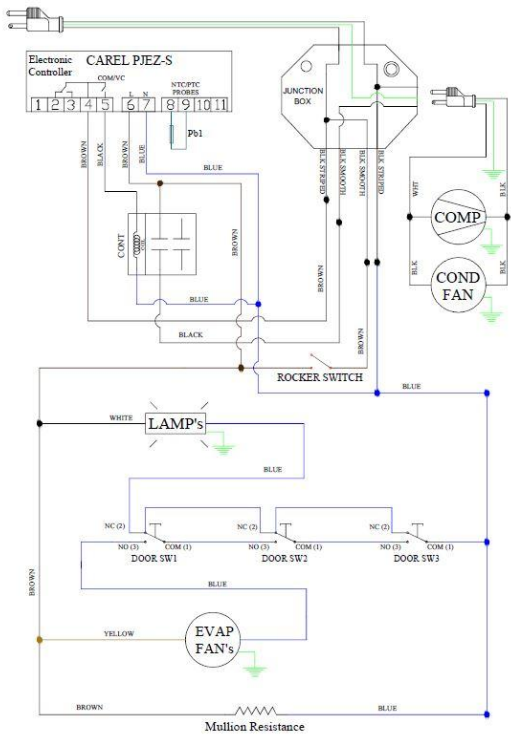
MERCHANDISER FREEZER 37' AND 49' (GLASS DOOR)



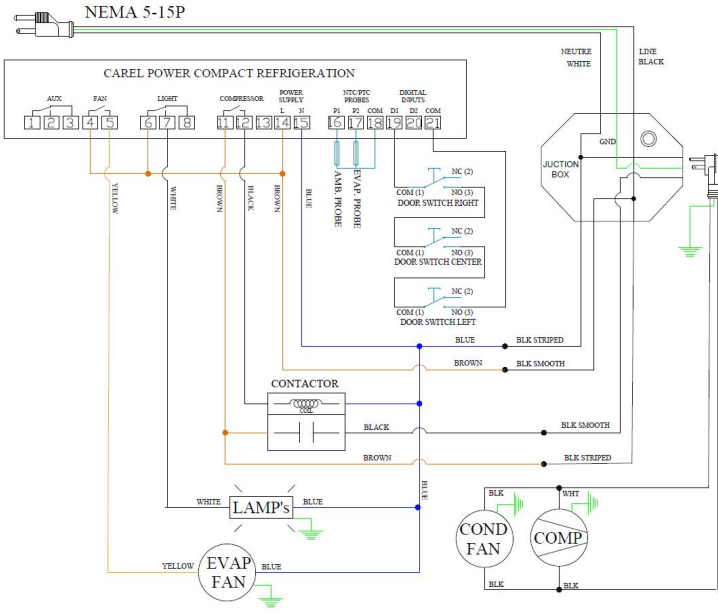
REACH IN FREEZER 49" (SOLID DOORS)



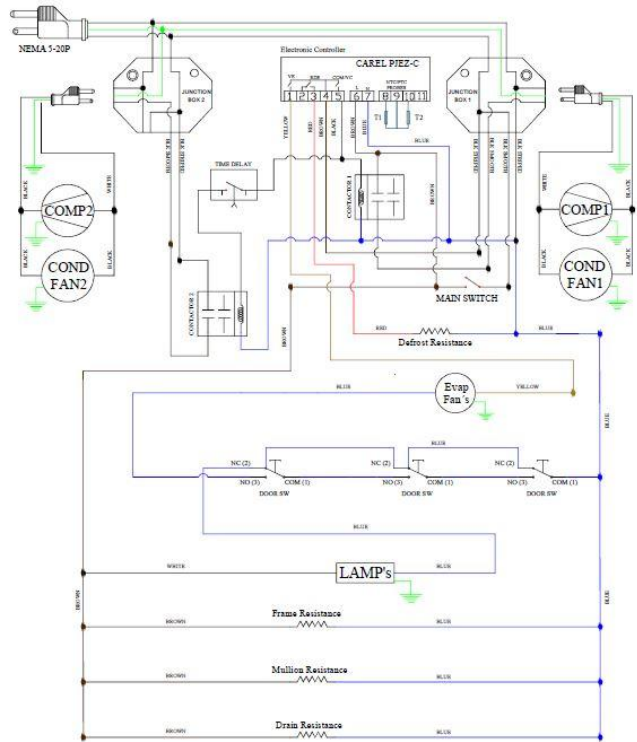
REACH IN REFRIGERATION 72" (SOLID AND GLASS DOORS)



REACH IN REFRIGERATION 72" (SOLID DOORS)



REACH IN FREEZER 72"



Manual de usuario para Armarios y Merchandiser

Modelos

Armarios y
Merchandiser

ÍNDICE

TABLA ESPECIFICACIONES	2
INTRODUCCIÓN	3
1.1 Introducción a los equipos y modelos	3
1.2 Información de seguridad.....	3
1.3 Para R290 (Propano) unidades de refrigeración	3
INSTALACIÓN	6
2.1 Información General.....	6
2.2 Transporte, manejo, desempaque y localización	7
2.3 Uso y restricciones.....	7
2.4 Placa de identificación del Fabricante	7
2.5 Instalación y Ensamble	8
2.6 Conexiones	8
OPERACIÓN	9
3.1 Información General.....	9
3.2 Descripción del panel de control.....	9
3.2.1 Control electrónico	9
3.2.2 Control Electrónico (Advance)	10
3.3 Configuraciones del Equipo	11
3.3.1 Configuraciones y programas.	11
3.3.2 Configuraciones y programas (Advance)	12
MANTENIMIENTO.....	13
4.1 Reglas de seguridad general	13
4.2 Rutina de limpieza y mantenimiento del equipo	13
4.2.1 Limpiando el condensador	13
4.2.2 Limpieza del empaque plástico	14
4.2.3 Drenado	14
4.3 Disposición del equipo.....	14
SOLUCIONANDO PROBLEMAS	15
5.1 Solucionando problemas.....	15
DIAGRAMA ELECTRICO	¡Error! Marcador no definido.

TABLA ESPECIFICACIONES

TYPE UNIT	APLICACION	SIZE (ft^3)	DOOR TYPE	DOOR QTY.	GAS TYPE	AMOUNT GAS (Oz.)	VOLTAGE (V)	AMPERAGE (A)
REACH IN	REFRIGERATION	17	SOLID	1	R-290	4.2	115	2.0
			GLASS (G)		R-134A	9.8	220	3.1
	FREEZER		SOLID		R-290	4.2	115	4.0
			GLASS (G)		R-404A	16.6	220	4.5
	REFRIGERATION	23	SOLID	1	R-290	4.2	115	2.0
			GLASS (G)		R-134A	11.3	220	3.1
	FREEZER		SOLID		R-290	4.2	115	4.0
					R-404A	16.6	220	4.5
	REFRIGERATION	WRR 23 HC	SOLID	1	R-290	3.5	115	2.0
	FREEZER	WRF 23 HC			R-290	3.8	115	4.0
	REFRIGERATION	37	SOLID	2	R-290	4.6	115	3.0
			GLASS (G)		R-134A	13.4	220	3.5
	FREEZER		SOLID		R-290	5.3	115	8.0
			GLASS (G)		R-404A	21.5	220	4.5
	REFRIGERATION	49	SOLID	2	R-290	4.6	115	3.0
			GLASS (G)		R-134A	13.4	220	3.5
FREEZER	SOLID		R-290		5.3	115	8.0	
			R-404A		21.5	220	4.5	
REFRIGERATION	72*	SOLID	3	R-290	4.6	115	7.0	
		GLASS (G)		R-404A	22.2	220	6.5	
FREEZER		SOLID		R-290	4.2	115	9.0	
				R-404A	16.6	220	16.0	
MERCHANDISER	REFRIGERATION	17	GLASS (G)	1	R-290	4.2	115	2.0
			GLASS (G)		R-134A	9.8	220	3.1
	FREEZER		GLASS (G)		R-290	4.2	115	4.0
					R-404A	16.6	220	4.5
	REFRIGERATION	23	GLASS (G)	1	R-290	4.2	115	2.0
			GLASS (G)		R-134A	11.3	220	3.1
	FREEZER		GLASS (G)		R-290	4.2	115	4.0
					R-404A	16.6	220	4.5
	REFRIGERATION	35-SD	SLIDING GLASS DOOR	2	R-290	4.6	115	3.0
					R-134A	13.4	220	3.5
	REFRIGERATION	37	GLASS (G)	2	R-290	4.6	115	3.0
			GLASS (G)		R-134A	13.4	220	3.5
	FREEZER		GLASS (G)		R-290	5.3	115	8.0
					R-404A	21.5	220	4.5
REFRIGERATION	47-SD	SLIDING GLASS DOOR	2	R-290	4.6	115	3.0	
				R-134A	13.4	220	3.5	
REFRIGERATION	49	GLASS (G)	2	R-290	4.6	115	3.0	
				R-134A	13.4	220	3.5	
REFRIGERATION	72*	GLASS (G)	3	R-290	4.6	115	7.0	
				R-404A	22.2	220	6.5	

*Dos unidades de condensación.

INTRODUCCIÓN

1.1 Introducción a los equipos y modelos

Estos equipos presentan mejor diseño, rendimiento y eficiencia a diferencia de su clase.

Estos equipos de refrigeración y congelación ofrecen un espacio de trabajo limpio, cómodo y resistente al mismo tiempo ofrecen un eficiente y confiable sistema de refrigeración.

Todas de acero inoxidable interior y exterior, con aislamiento de alta densidad, las puertas de cierre automático y manteniéndola abierta a 120°, característica para la mejor conveniencia

- Puertas de cierre automático para asegurar la máxima eficiencia.
- Puerta gruesa con incrustaciones de diseño para proteger las juntas.
- Calibre 18 en parte superior de acero inoxidable para mayor durabilidad.
- Rieles para deslice del compresor para capacidad de servicio.
- Evaporador de gas caliente en la bandeja recolectora para una condensación eficiente.

1.2 Información de seguridad



PELIGRO: El equipo debe ser apagado y desconectado de la fuente de alimentación cuando realizar el mantenimiento, reparación o limpieza de la unidad condensadora. Si la máquina sigue funcionando cuando está apagado, desconecte la alimentación principal antes de desenchufar la máquina.

Cuando vaya a realizar alguna operación de mantenimiento, reparación y/o limpieza se debe apagar y desconectar el equipo del suministro de energía.



ADVERTENCIA: La garantía de la maquina y el compresor se anulan debido a la instalación eléctrica inadecuada.

No introduzca alimentos calientes, productos químicos o corrosivos, drogas o botellas destapadas.

1.3 Para R290 (Propano) unidades de refrigeración



ADVERTENCIA: Esta unidad usa R-290(propano) como refrigerante. Estos refrigerantes de hidrocarburos son altamente compatibles con el medio ambiente pero también son inflamables y combustibles. Por favor lea este manual minuciosamente antes de instalar y operar la unidad. Por favor tome medidas de precaución para evitar el riesgo de incendio o exposición.

POR FAVOR, VEA LA ETIQUETA DENTRO DEL GABINETE PARA COMPROBAR TIPO DE REFRIGERACIÓN Y VOLUMEN.

	<p>PELIGRO – Riesgo de incendio o explosión. Utiliza refrigerante inflamable. No utilice dispositivos mecánicos para descongelar el refrigerador. No perfora la tubería de refrigerante.</p>
	<p>PELIGRO - Riesgo de incendio o explosión. Utiliza refrigerante inflamable. Solo puede ser reparado por personal capacitado. No perfora la tubería de refrigerante.</p>
	<p>PRECAUCION - Riesgo de incendio o explosión. Deséchese adecuadamente de acuerdo con las regulaciones federales o locales. Utiliza refrigerante inflamable.</p>
	<p>PRECAUCION - Riesgo de incendio o explosión. Utiliza refrigerante inflamable. Consulte el manual de reparación/guía del usuario antes de intentar reparar este producto. Deben seguirse todas las precauciones de seguridad.</p>
	<p>PRECAUCION - Riesgo de incendio o explosión debido a la perforación de la tubería de refrigerante; siga las instrucciones de manejo cuidadosamente. Utiliza refrigerante inflamable.</p>
	<p>ADVERTENCIA</p> <ul style="list-style-type: none">- Mantenga la abertura de ventilación en el gabinete del aparato o en la estructura libre de obstrucciones.- No utilice dispositivos mecánicos u otros medios para acelerar el proceso de descongelación que no sean los recomendados por el fabricante.- No ocasione daños al circuito de refrigeración.- No use dispositivos eléctricos dentro de los compartimientos de almacenamiento de alimentos del aparato, a menos que sean del tipo recomendado por el fabricante.

ADVERTENCIA

- Maneje la unidad con cuidado para evitar daños graves al sistema de refrigeración.
- La tubería de refrigerante, el condensador y los serpentines del evaporador son fácilmente propensos a dañarse al manipular, mover, instalar y limpiar la unidad, lo que puede provocar un incendio o incluso una explosión.
- El refrigerante que sale de las tuberías podría incendiarse o causar una lesión en los ojos. Si se detecta una fuga, evite las llamas abiertas o las posibles fuentes de ignición y ventile la habitación en la que se encuentra el aparato durante varios minutos.
- Para evitar la creación de una mezcla inflamable de gas y aire en caso de una fuga en el circuito de refrigeración, el tamaño de la habitación en la que se coloca el aparato depende de la cantidad de refrigerante utilizado. La cantidad de refrigerante en su aparato particular se muestra en la etiqueta dentro del gabinete.



Este aparato contiene una pequeña cantidad de propano (R-290) un gas con alta compatibilidad ambiental, pero también es combustible. Al transportar e instalar el aparato, se debe tener cuidado para asegurar que ninguna parte del circuito de refrigeración esté dañada.

- Nunca encienda un aparato que muestre signos de daño. En caso de duda, póngase en contacto con un profesional calificado.
- En caso de cualquier actividad peligrosa, como un incendio o una explosión, aleje la unidad de cualquier fuente de ignición a un área bien ventilada.
- Un técnico calificado que esté familiarizado con los estándares de seguridad, que además de comprender y conocer los refrigerantes inflamables, debe realizar el servicio y las reparaciones adicionales.
- Todos y cada uno de los técnicos que manejan estas unidades deben estar equipados con equipo y equipo de protección personal adecuado y cumplir con las medidas de seguridad y precauciones adecuadas para evitar el riesgo de incendio o explosión.

INSTALACIÓN

2.1 Información General

En el equipo usted encontrara los siguientes simbolos y/o etiquetas que le ayudaran a identificar peligros y/o informacion util relacionada con su equipo.



2.2 Transporte, manejo, desempaques y localización

Al momento de recibir su equipo, verifique el empaque en búsqueda de daños que pudieran haber ocurrido durante el transporte del mismo. Inspeccione de manera visual el exterior del empaque, si el mismo se encuentra dañado, abra e inspeccione, delante de la empresa transportadora, todo el equipo. Cualquier daño debe ser anotado y reportado en el recibo de entrega de la empresa transportadora.

IMPORTANTE: Una vez que se haya retirado todo el material del empaque, revise por la parte posterior del equipo el compartimiento del compresor. Inspeccione visualmente el sistema de refrigeración y asegúrese que las tuberías no estén dobladas y que no presenten alguna fisura, asegúrese que la base esté intacta.

Si al momento de abrir el empaque existe un daño oculto en el equipo, notifíquelo de inmediato a la empresa transportadora mediante un llamado telefónico así como también de manera escrita. Solicite una inspección por parte de la compañía transportadora si el equipo está dañado. Conserve todo el material de embalaje hasta que se haya realizado la inspección, contacte al proveedor con el que adquirió su equipo.

2.3 Uso y restricciones

El equipo no está diseñado para fines personales, familiares o del hogar, y su venta para esos fines no está prevista. En el caso de que el equipo se utiliza con tal fin, esta garantía será nula de pleno derecho, y el equipo se considerará que se han vendido "como es, donde es" sin garantía de ningún tipo, incluyendo, sin limitación, cualquier garantía de título, no infracción, los comerciantes la capacidad o aptitud para un propósito en particular.

Los equipos cumplen con los estándares de las normas UL y NSF-7

Si usted quiere saber más acerca de otras restricciones relacionadas con el equipo vea la garantía.

2.4 Placa de identificación del Fabricante

La placa de datos se encuentra dentro del gabinete, cerca de la parte superior delantera, a la izquierda. Bajo ninguna circunstancia debe quitar la placa de datos de la unidad. La placa de datos es esencial para identificar las características particulares de su máquina y es de gran beneficio para los instaladores, operadores y personal de mantenimiento. Se recomienda que, en caso de que se retira la placa de datos, copie la información esencial en este manual para referencia antes de la instalación. **Remoción de la placa de datos anulará la garantía.**

El diagrama muestra una placa de identificación del fabricante con las siguientes anotaciones:

- Código:** 19032041
- Modelo:** ABBC 58 G
- Características Eléctricas:** 115V 50/60Hz 1P 6.5A
- Tipo de Refrigerante:** R-134a
- Número de serie (10 dígitos):** 8101678173

Código		19032041		Número de serie (10 dígitos)	
Modelo		ABBC 58 G		SN 8101678173 2019	
Características Eléctricas		115V 50/60Hz 1P 6.5A		FIM970306PH5 MADE IN MEXICO	
Pot. Frigorífica Rating Capacity (BTU/hr / W)		2345/690		Lámpara Lamp 5.0 W Descarche Defrost 0.0	
Calefactor Heater 0		Clase Climat. Climate Class N		Temp. -2°C / 5°C	
Peso Neto Net Weight (Lb / Kg)		Agente Expandente Blowing Agent ECO		Condensación Condenser VENT	
PCA GWP 1430		Refrigerant R-134a		Carga Rating Weight (OZ / Kg) 9.9/280	
Presión de diseño lado de baja Low side pressure design (PSI / BAR)		132/9		Compresor Compressor (HP)	
Presión de diseño lado de alta High side pressure design (PSI / BAR)		300/20		1/3	
N		8101678173		8101678173	
MOD. ABBC G 58 115V 50/60Hz		19032041		19032041	
N		8101678173		8101678173	
MOD. ABBC G 58 115V 50/60Hz		19032041		19032041	

2.5 Instalación y Ensamble

Las unidades presentadas en este manual están diseñadas para uso interior solamente. Asegúrese de que la ubicación elegida tiene un piso lo suficientemente fuerte para soportar el peso total de la unidad y contenidos. Para la operación más eficiente, asegúrese de proveer buena circulación de aire dentro y fuera de la unidad.

Dentro del gabinete:

La primera limpieza debe hacerse cuando Desempaque el aparato y antes de encenderlo. Limpie con agua y un detergente suave. Cuando esté limpio y seco, inserte los accesorios en los lugares apropiados, para el mejor aprovechamiento del usuario.

Fuera del gabinete:

Asegúrese que la unidad tenga buena circulación de aire alrededor de él. Evite rincones calientes y lugares cerca de estufas y hornos. Se recomienda instalar la unidad a no menos de 2 " de cualquier pared. El lugar donde se coloca el refrigerador debe estar ventilado y limpio, evitando que el ventilador de la unidad condensadora absorba materiales que luego se depositan en las láminas del condensador y bobina, que puede producir fallas.

La unidad no debe ser instalada bajo temperaturas ambientales superiores a 100 ° F.

Si la humedad relativa es superior al 60%, los marcos de las puertas pueden sudar agua. Esto no es un mal funcionamiento de la unidad.

2.6 Conexiones

Tome en cuenta los datos sobre el amperaje y voltaje que aparecen en la placa matricula del equipo.

Es indispensable que la instalación eléctrica del usuario cumpla con los requerimientos y normatividades eléctricas nacionales y locales correspondientes al lugar donde se instalara el aparato.

El equipo debe ser instalado en un circuito protegido por sobrecargas y/o cortos circuitos así como por variaciones de voltaje.

IMPORTANTE: El contacto o enchufe debe tener conductor de tierra física obligatoriamente.

La unidad debe ser conectada a tierra y conectado según normativas electricas nacionales y locales vigentes.

OPERACIÓN

3.1 Información General

La buena circulación de aire dentro del gabinete es crítico. No obstruya el flujo de aire de los ventiladores. Coloque el equipo a no menos de 2pulgadas (2”) de espacio a lo largo del frente, parte posterior y los lados como separacion para una ventilacion adecuada.

3.2 Descripción del panel de control

3.2.1 Control electrónico

Después de conectar su unidad, active el interruptor situado en el controlador. La pantalla se encenderá mostrando la temperatura dentro de la unidad. Además, los iconos del compresor y del ventilador destellarán durante un período de tres minutos. Después de este retraso, la unidad comenzará de enfriamiento.

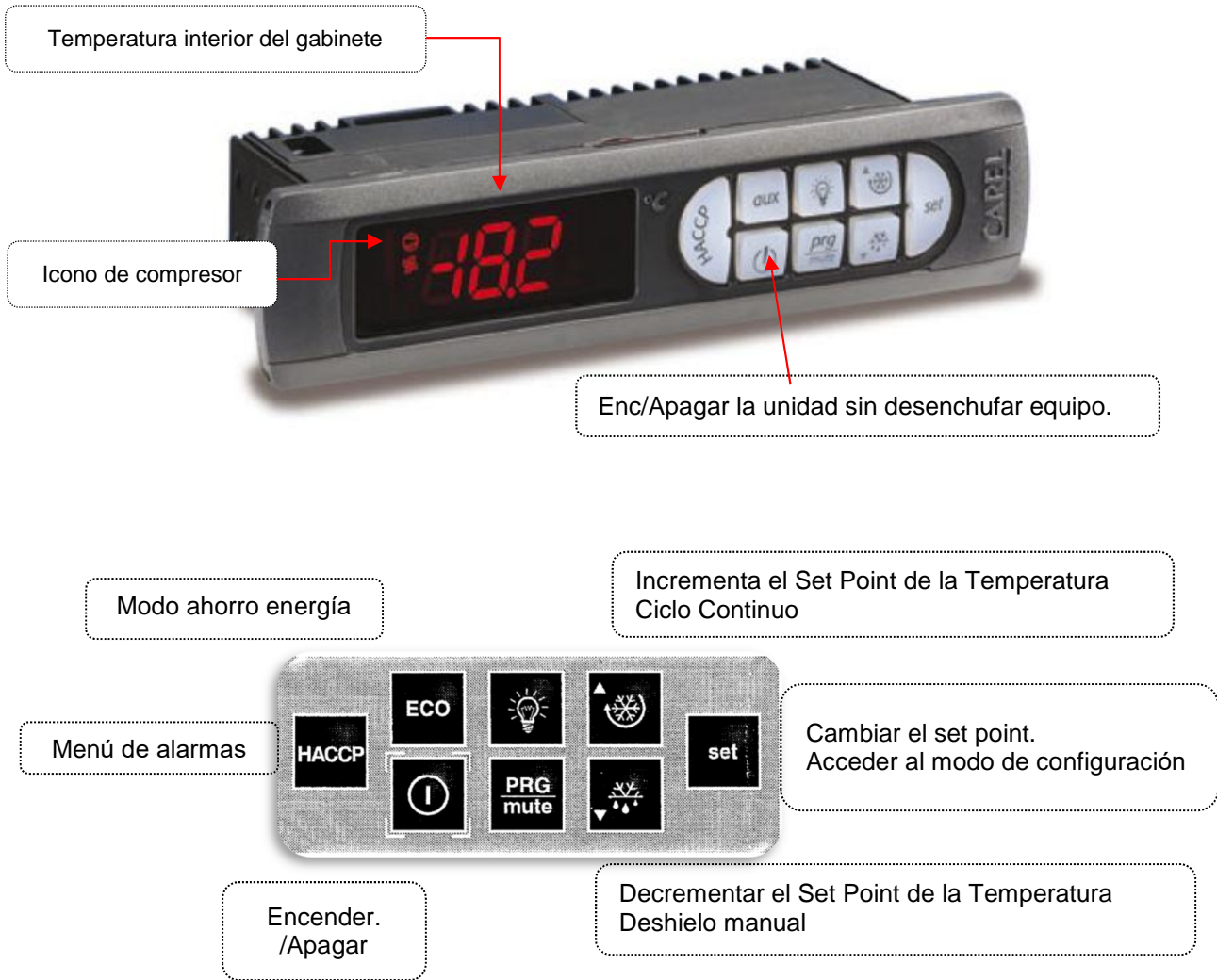
Verificar que no tienes ninguna alarma en el regulador de temperatura. Si después de encienda el equipo el controlador muestra el icono de alarma o un código de error, solicite servicio técnico. Te ayudarán a solucionar el problema.



3.2.2 Control Electrónico (Advance)

Después de conectar su unidad, active el interruptor situado en el controlador. La pantalla se encenderá mostrando la temperatura dentro de la unidad. Además, los iconos del compresor y del ventilador destellarán durante un período de tres minutos. Después de este retraso, la unidad comenzará de enfriamiento.

Verificar que no tienes ninguna alarma en el regulador de temperatura. Si después de encienda el equipo el controlador muestra el icono de alarma o un código de error, solicite servicio técnico. Te ayudarán a solucionar el problema.



3.3 Configuraciones del Equipo

3.3.1 Configuraciones y programas.

Cambiando el Set Point (ajuste de temperatura)

El controlador tiene un SET POINT de temperatura programado de fábrica para garantizar el correcto funcionamiento del equipo. Si usted lo desea, puede cambiar el SET POINT de temperatura. Para ello, siga los pasos:

1. Pulse el botón de SET hasta ver las lestras “uLn” en la pantalla y suelte, vuelva a presionar el botón de SET hasta ver el símbolo del compresor parpadeando, suelte el botón, el número parpadeando es el valor del SET POINT de temperatura.



2. Si deseas aumentar el valor del SET POINT para una nueva temperatura, presione el botón de flecha hacia arriba y luego presione el botón de SET para guardar el nuevo valor.
3. Si desea disminuir el valor del SET POINT para una nueva temperatura, presione el botón de flecha hacia abajo. Pulse este botón para alcanzar el valor deseado, suelte el botón y luego presione el botón de SET para guardar el nuevo valor.

Deshielo Manual

Para activar un deshielo manual, Pulse el botón de SET hasta ver las lestras “uLn” en la pantalla y suelte, mantener precionado el boton de flecha hacia arriba por 5 segundos. El icono del deshielo parpadeara y se mostrara en la pantalla. Cuando el icono deje de parpadear el equipo estara en modo de deshielo.

Para salir del modo deshielo, Pulse el botón de SET hasta ver las lestras “uLn” en la pantalla y suelte, mantener presionado por 5 segundos el boton de la flecha hacia arriba. el icono de dehsielo se apagara. Esperar 2 minutos para que el compresor comience a funcionar.

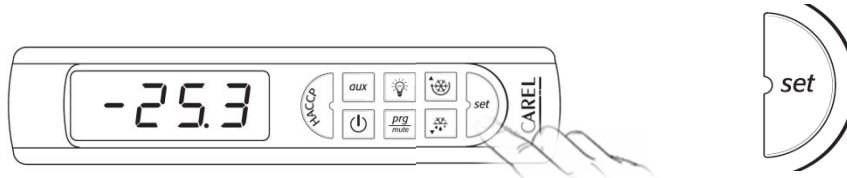
SI NECESITA MÁS INFORMACIÓN, CONTACTE CON EL SOPORTE TÉCNICO

3.3.2 Configuraciones y programas (Advance)

Cambiando el Set Point (ajuste de temperatura)

El controlador tiene un SET POINT de temperatura programado de fábrica para garantizar el correcto funcionamiento del equipo. Si usted lo desea, puede cambiar el SET POINT de temperatura. Para ello, siga los pasos:

1. Pulse el botón de SET durante 2 segundos. Usted verá un número parpadeando, suelte el botón, el número parpadeando es el valor del SET POINT de temperatura.



2. Si deseas aumentar el valor del SET POINT para una nueva temperatura, presione el botón de flecha hacia arriba. Pulse este botón para alcanzar el valor deseado, suelte el botón y luego presione el botón de SET para guardar el nuevo valor.



Nota:

El valor maximo que el control puede mostrar es en refrigeradores: 5°C (40°F)

3. Si desea disminuir el valor del SET POINT para una nueva temperatura, presione el botón de flecha hacia abajo. Pulse este botón para alcanzar el valor deseado, suelte el botón y luego presione el botón de SET para guardar el nuevo valor.



Nota:

El valor minimo que el control puede mostrar es en refrigeradores: -1°C (30°F)

Deshielo Manual

Para seleccionar el deshielo manual, mantener presionado el boton de flecha hacia abajo abajo por 5 segundos. El icono del deshielo parpadeara y se mostrara en la pantalla. Cuando el icono deje de parpadear el equipo estara en modo de deshielo.



Para salir del modo deshielo mantener presionado por 5 segundos el boton de la flecha hacia abajo.el icono de deshielo se apagara. Esperar 2 minutos para que el compresor comience a funcionar.

MANTENIMIENTO

4.1 Reglas de seguridad general

Cualquier negligencia con los procedimientos de limpieza del compresor puede anular la garantía y generar un costo del reemplazo del compresor.

Para la limpieza del acero inoxidable use paños suaves o esponjas. Nunca usar esponjas metálicas, cepillos de alambre o algún tipo de lija.

4.2 Rutina de limpieza y mantenimiento del equipo

La limpieza debe ser a base de limpiadores alcalinos o libres de cloro. Cualquier limpiador que contiene cloruros dañará la película protectora del acero inoxidable. Cloruros son también comúnmente encontrados en agua dura, sales y productos de limpieza domésticos e industriales. Si se utilizan limpiadores que contengan cloruros asegúrese de enjuagar varias veces la superficie y seque bien al finalizar. La limpieza de rutina del acero inoxidable puede hacerse con agua y jabón. Las manchas o grasa extremas deben limpiarse con un paño no abrasivo. También hay limpiadores de acero inoxidable disponibles que se pueden restaurar y conservar el acabado de la capa protectora de los aceros.

Nunca use una solución de limpieza a base de ácido. Muchos productos alimenticios tienen un contenido ácido que puede deteriorar el acabado. Asegúrese de limpiar todos los productos alimenticios de cualquier superficie de acero inoxidable.

4.2.1 Limpiando el condensador

Desconecte la máquina. Quite el panel delantero inferior y cuidadosamente deslice hacia afuera la unidad condensadora.

La bobina del condensador requiere una limpieza regular; recomendado cada 30 a 60 días, dependiendo de la acumulación de polvo y grasa. Si la acumulación en la bobina consiste de sólo de polvo ligero y residuos la bobina del condensador puede limpiarse con un simple cepillo. Mayor acumulación de polvo puede requerir un vacío o incluso aire comprimido para soplar a través del serpentín del condensador. Si hay grasa pesada hay agentes desengrasantes disponibles para el uso en refrigeración y específicamente para los serpentines del condensador. La bobina del condensador puede requerir un rocío con el agente desengrasante y luego soplar con aire comprimido. Asegúrese de que todas las partes mecánicas y eléctricas estén secas antes de conectar la alimentación.

Nunca usar agua a presión para este procedimiento de limpieza, el agua puede dañar los componentes eléctricos ubicados cerca o en el serpentín del condensador. No coloque material de filtro delante de la bobina del condensador. ¡Este material bloquea el flujo de aire a la bobina similar a tener una bobina sucia!

Si mantiene limpio el condensador minimizará sus gastos de servicio y reducirá sus costos de electricidad. No mantener un serpentín del condensador limpio inicialmente puede causar altas temperaturas y excesivos ciclos de operación. La operación continua con serpentines del condensador sucio u obstruido puede ocasionar fallas del compresor.

Para devolver la unidad condensadora en su lugar, deslice la unidad con cuidado. **ASEGÚRESE DE QUE EL TUBO DE DESAGÜE ESTÁ SITUADO SOBRE LA BANDEJA.** Coloque nuevamente el panel delantero inferior.

4.2.2 Limpieza del empaque plástico

El empaque requiere una limpieza regular para evitar la acumulación de moho y hongos para mantener la elasticidad del mismo. La limpieza puede realizarse con el uso de agua caliente y jabón. Evitar productos de limpieza ya que esto puede causar que se tornen quebradizos e impedir el sellado adecuado. Además, nunca utilice herramientas o cuchillos para raspar o limpiar el empaque, posiblemente podrían romper el empaque y rasgar el fuelle.

Los empaques pueden ser reemplazados fácilmente y no requieren el uso de herramientas o personas autorizadas de servicio.

4.2.3 Drenado

Cada unidad tiene un drenado ubicado dentro de la unidad que elimina la condensación de la bobina del evaporador y lo evapora en una bandeja externa del evaporador. Cada drenaje puede ser removido o desconectado al mover o golpear el drenaje.

Si percibe excesiva acumulación de agua en el interior de la unidad asegúrese de que está conectado el tubo de desagüe del evaporador a la bandeja de drenaje de condensado del evaporador.

La nivelación de la unidad es importante, ya que las unidades están diseñadas para drenar adecuadamente cuando se encuentra sobre una superficie nivelada, si el piso no está nivelado esto también puede causar problemas de drenaje. Asegúrese de que todas las líneas de desagüe estén libres de obstrucciones.

4.3 Disposición del equipo

El ciclo de vida promedio de los productos es de 7 a 10 años apartir de la fecha uso e instalcion.

Los equipos son fabricados sin materiales toxicos o peligrosos. Algunas partes son biodegradables.

La disposicion final del equipo despues del termino del ciclo de vida sera definido por el cliente de acuerdo a las reglas, y leyes establecidas en la ciudad y/o estado de residencia.

RECUERDE CUIDAR EL MEDIO AMBIENTE.

SOLUCIONANDO PROBLEMAS

5.1 Solucionando problemas

Algunas veces, las fallas son debido a causas simples que pueden ser solucionadas por el usuario. Antes de pedir ayuda a un técnico calificado, debe hacer algunas verificaciones. Estas fallas no están cubiertas por la garantía:

- 1) El refrigerador no funciona:
 - a. Verifique que la maquina esté conectada de forma correcta y que exista el voltaje correcto para el equipo.
 - b. Verifique que el “Botón Encendido/Apagado” este en la posición de “Encendido”.

- 2) El refrigerador no da la temperatura adecuada:
 - a. Verifique que el equipo no está en el ciclo de deshielo.
 - b. Verifique que la temperatura no esté en °F.
 - c. Verifique que el control no marque alguna alarma.
 - d. Verifique que el SET POINT de temperatura es el correcto.
 - e. Verifique que no existe obstrucción al flujo del aire en el interior del equipo.
 - f. Verifique que el ventilador o los ventiladores funcionan correctamente. Abra la puerta presione el interruptor (micro-switch) de la puerta para verificarlo.
 - g. Verifique que no haya hielo en el evaporador.
 - h. Asegúrese que el condensador este limpio y que no haya objetos que obstruyan el paso de aire por las tuberías del condensador.
 - i. Verifique que el ventilador del condensador funciona.

- 3) Hay agua dentro del equipo:
 - a. Asegúrese que el panel de drenaje que se encuentra en el interior del gabinete esté en su posición correcta.
 - b. Verifique que no haya alimento obstruyendo la línea del drenaje.

- 4) Hay agua debajo del equipo:
 - a. Verifique que el tubo de drenaje esté dentro de la bandeja de evaporación.
 - b. Verifique que el gabinete este nivelado.

Advertencia: Para garantizar el funcionamiento correcto del equipo, se recomienda que la unidad esté encendida 24 horas antes de la introducción de productos perecederos.