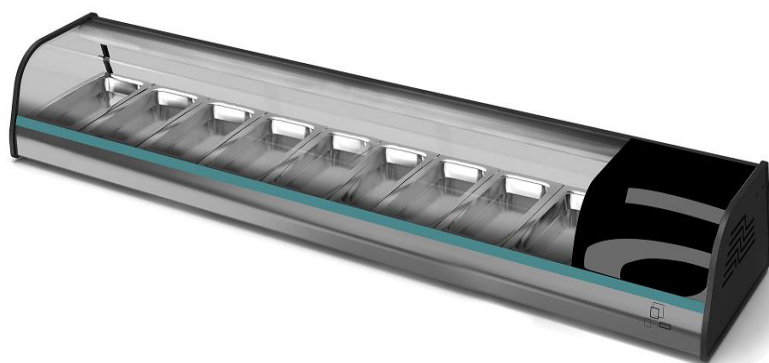




## TAPA CASE REFIGERATORS

### Manual Instructions

ACTC-55    ACTC-69  
ACTC-55 SL    ACTC-69 SL



**Manual instructions**  
Installation and Operation



**Manual de instrucciones**  
Uso y mantenimiento



**Bedienungshinweise**  
Installation und Betrieb



**Ręczny**  
Obsługa i konserwacja



**Manuel talimatları**  
Kurulum ve Çalıştırma



**Manuel d'instructions**  
Installation et fonctionnement



**Manual do instruções**  
Instalação e Operação

# INDEX

## ENGLISH

SPECIFICATION CHART/ TABLA DE ESPECIFICACIONES .....	1
MACHINE INTRODUCTION.....	1
<b>1.1</b> Introduction to machine & models .....	1
<b>1.2</b> Important safety information.....	1
INSTALLATION.....	2
<b>2.1</b> General information .....	2
<b>2.2</b> Transport, handling, unpacking, location.....	2
<b>2.3</b> Intended use and restrictions.....	3
<b>2.4</b> Manufacturer’s identification label description.....	3
<b>2.5</b> Installation and assembly .....	4
<b>2.6</b> Connections.....	4
OPERATION.....	4
<b>3.1</b> General information .....	4
<b>3.2</b> Control panel description .....	4
<b>3.2.1</b> Electronic Control .....	4
<b>3.3</b> Machine settings and programs .....	5
MAINTENANCE .....	6
<b>4.1</b> General safety rules.....	6
<b>4.2</b> Machine cleaning and maintenance routine.....	6
<b>4.2.1</b> Cleaning the Condenser Coil.....	6
<b>4.2.2</b> Draining the Unit .....	7
<b>4.3</b> Machine disposal .....	7
TROUBLESHOOTING CHART .....	7
<b>5.1</b> Troubleshooting.....	7
WARRANTY .....	8
<b>6.1</b> Limited Warranty.....	8

## ESPAÑOL

INTRODUCCION .....	11
<b>1.1</b> Introducción a los equipos y modelos .....	11
<b>1.2</b> Información de seguridad.....	11
INSTALACION .....	12
<b>2.1</b> Información General.....	12
<b>2.2</b> Transporte, manejo, desempaque y localización .....	12
<b>2.3</b> Uso y restricciones.....	13
<b>2.4</b> Placa de identificación del Fabricante .....	13
<b>2.5</b> Instalación y Ensamble .....	14
<b>2.6</b> Conexiones .....	14
OPERACION.....	14
<b>3.1</b> Información General.....	14
<b>3.2</b> Descripción del panel de control .....	14
<b>3.2.1</b> Control electrónico .....	14
<b>3.3</b> Configuraciones del Equipo .....	15
MANTENIMIENTO .....	16
<b>4.1</b> Reglas de seguridad general.....	16
<b>4.2</b> Rutina de limpieza y mantenimiento del equipo .....	16
<b>4.2.1</b> Limpiando el condensador .....	16
<b>4.2.2</b> Drenado .....	17
<b>4.3</b> Disposición del equipo.....	17
SOLUCIONANDO PROBLEMAS .....	17
<b>5.1</b> Solucionando Problemas .....	17
GARANTIA .....	18
<b>6.1</b> Garantía Limitada .....	18
ELECTRIC DIAGRAM / DIAGRAMA ELECTRICO .....	20
.....	20

## SPECIFICATION CHART/ TABLA DE ESPECIFICACIONES

MODEL	HP	DIMENSIONS (in) mm	VOLTAGE (V)	AMP. (A)	REFRIG. CHARGE	REFRIG. TYPE	BTUS/ HR
ACTC 55	1/6	(55 x 16 x 9 ¾) 139 x 406 x 247	120	2.3	7.4 Oz	R-134a	850
			220	1.9			
ACTC 69	1/6	(69 x 16 x 9 ¾) 175 x 406 x 247	120	2.3	7.4 Oz	R-134a	850
			220	1.9			
ACTC 55 SL	1/6	(55 x 16 x 9 ¾) 139 x 406 x 247	120	2.3	8.8 Oz	R-134a	850
ACTC 69 SL	1/6	(69 x 16 x 9 ¾) 175 x 406 x 247	120	2.3	8.8 Oz	R-134a	850

## MACHINE INTRODUCTION

### 1.1 Introduction to machine & models

ASBER Display Cases bring the perfect combination of quality materials and modern design. Polished stainless steel, elegant curved glass and anodized aluminium work together under a bright LED blue light for an attractive product display. These self contained units keep a constant airflow, maintaining all the flavor and texture of your fresh dishes.

Details make this line unique .

- Factory balanced refrigeration system, environmentally friendly R-134a.
- Stainless steel construction with anodized aluminum side panel.
- Front curved glass design.
- Service side glass sliding door.
- Standard fluorescent light.
- Comes standard with 1/3 gastronorm pans - 1.5" deep.
- Compressor mount on right side.
- Cold plate design underneath the pans to keep products fresher and maintain products at 36°-46°F temperature in food pans..

### 1.2 Important safety information



**DANGER:** Power must be turned off and disconnected from the power source whenever performing maintenance, repair or cleaning the condensing unit. If machine still running when power is off, disconnect power at the circuit breaker before unplugging the machine.



**WARNING:** Machine and compressor warranties are void if failure is due to improper electrical installation.

Do not introduce hot foods, chemical or corrosive products, drugs, or open beverage bottles.

## INSTALLATION

- 2.1 General information
- 2.2 Transport, handling, unpacking, location.
- 2.3 Intended use and restrictions.
- 2.4 Manufacturer's identification label description.
- 2.5 Installation and assembly.
- 2.6 Connections (electric, gas, water)

### 2.1 General information

You can find in you equipment the following symbols, or stickers to identify some type of warnings or useful information about your equipment.



### 2.2 Transport, handling, unpacking, location

Upon receiving your new ASBER Display Case, check the package and the machine for any damages that may have occurred during transportation. Visually inspect the exterior of the package, if damaged, open and inspect the contents with the carrier. Any damage should be noted and reported on the delivering carrier's receipt.

In the event that the exterior is not damaged, yet upon opening, there is concealed damage to the equipment notify the carrier immediately. Notification should be made verbally as well as in written form. Request an inspection by the shipping company of the damaged equipment. Retain all crating material until inspection has been made. Contact the dealer through which you purchased the unit.

Check the compressor compartment housing and visually inspect the refrigeration package. Be sure lines are secure and base is still intact.

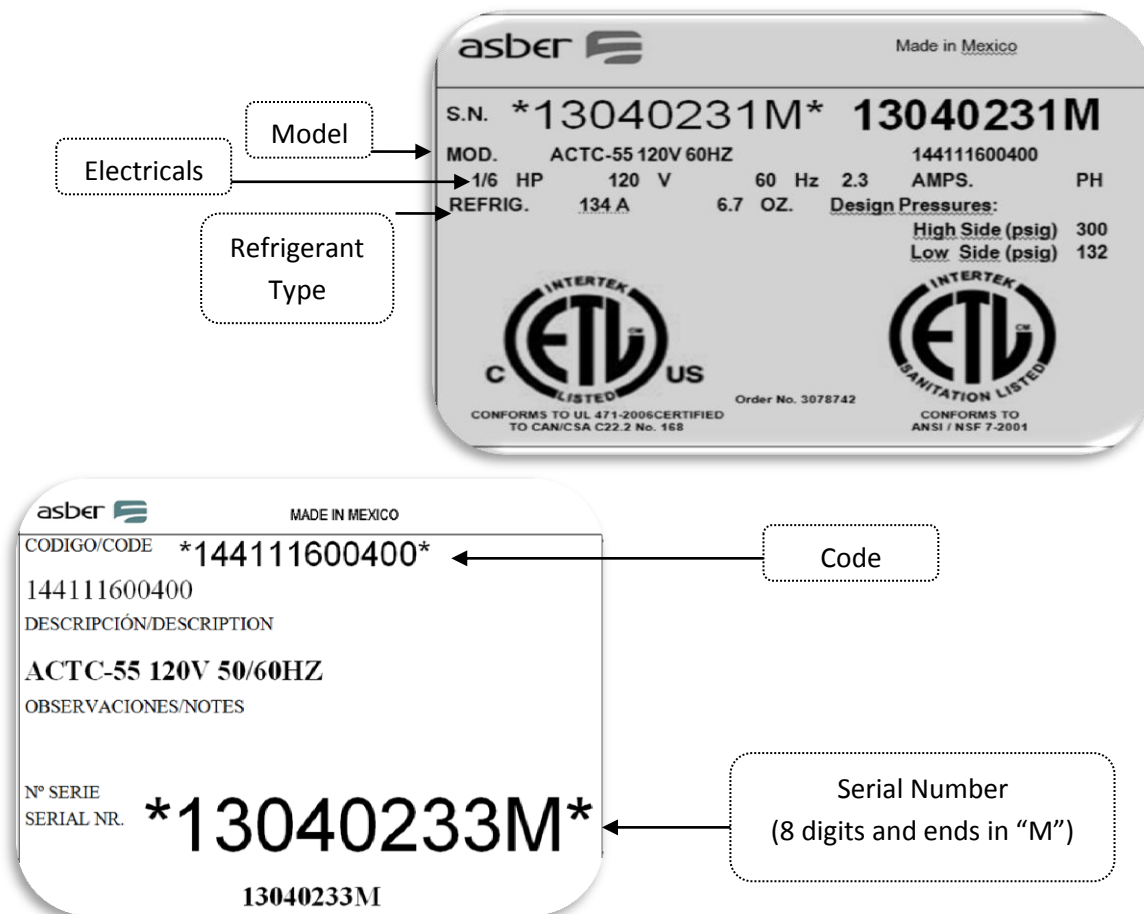
### 2.3 Intended use and restrictions

ASBER equipment is not designed for personal, family, or household purposes, and its sale for such purposes is not intended. In the event the equipment is so used, this warranty shall be null and void, and the equipment is so used, this warranty shall be null and void, and the equipment shall be deemed to have been sold “as is-where is” without any warranty of any kind, including without limitation any warranty of title, non-infringement, merchant-ability or fitness for a particular purpose. The equipment’s are conforms to UL and NSF- 7 standards.

If you want know more about other restrictions about your equipment see the warranty that is located in the final part of your manual.

### 2.4 Manufacturer’s identification label description

The data plate is located inside the cabinet, near the top front, left corner. Under no circumstances should the data plate be removed from the unit. The data plate is essential to identify the particular features of your machine and it is of great benefit to installers, operators, and maintenance personnel. It is recommended that, in the event the data plate is removed, you copy down the essential information in this manual for reference before installation. Removal of data plate will void the warranty.



## 2.5 Installation and assembly

Units represented in this manual are intended for indoor use only. Be sure the location chosen has a floor strong enough to support the total weight of the unit and contents. For the most efficient operation, be sure to provide good air circulation inside and outside of the unit.

### INSIDE CABINET

The first cleaning must be made when you unpack the unit and before switching it on. Clean it with water and a mild detergent. When it is clean and dry, insert the accessories in the appropriate places, for the best use of the user.

### OUTSIDE CABINET

Be sure the unit has good air circulation around it. Avoid hot corners and locations near stoves and ovens. It is recommended the unit be installed no closer than 2" from any wall. The place where the refrigerator is placed must be open and clean, avoiding that de fan of the condensing unit absorbs materials which are deposited then into the condenser blades and coil, which can produce failures.

**The unit should not be installed under ambient temperatures higher than 100 °F.**

**If the relative humidity is higher than 60 %, the door frames may sweat water. This is not a malfunctioning of the unit.**

## 2.6 Connections

Refer to the amperage data in this manual or on data plate and your local code or the National Electrical Code to be sure unit is connected to the proper power source. Verify correct incoming voltage according to the Data Plate information.

The data plate is located inside the unit, near the top front left corner. Under any circumstances should the data plate be removed from the unit.

The data plate is essential to identify the particular features of your unit and is of great benefit to installers, operators and maintenance personnel. It is recommended that, in the event the data plate is removed, you copy down the essential information in this manual for reference before installation.

## OPERATION

3.1 General information.

3.2 Control panel description.

3.3 Machine settings and programs.

### 3.1 General information

Good air flow inside the cabinet is critical. Do not block air flow to the fans. Allow three inches of space along the front, back, and sides.

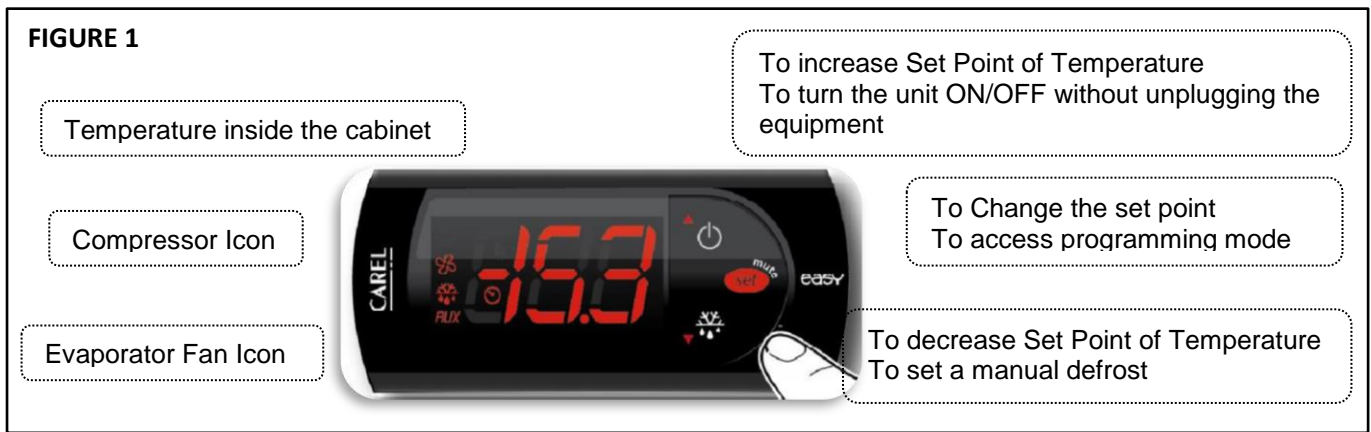
### 3.2 Control panel description

#### 3.2.1 Electronic Control

After connecting your unit, turn ON rocker switch located next to the controller. The display will light up showing the temperature inside the unit. Also, the compressor and fan icons will flash for a period of three minutes. After this delay the unit will start cooling.

Verify you don't have any alarms on the temperature controller. If after you turn ON the equipment the controller shows the alarm icon or an error code, call for technical service. They will help you fix the problem.

FIGURE 1



### 3.3 Machine settings and programs

#### Changing the Set Point of the temperature on the controller

The unit comes with a factory default set point ( 32°F Refrigerators). These set values will make the unit perform at its maximum capacity. Therefore, it is not recommended to change the set point. If set point needs to be changed, follow the next steps.

1. Push the SET button for one second. You should see a flashing number. Release the button.



2. Press the up and down arrows to increase or decrease the set temperature. Then press the set button to save the new set point.

Note:



The maximum value you can set in the controller is: For refrigerators: 5°C (40°F)

3. If you wish decrease the value of the set point for a new temperature, press the button DOWN arrow (see the picture below). Press this button to reach the desired value. Release the button and then press the SET button to keep, and save, the new value.

Note:



The minimum value you can set in the controller is: For refrigerators: -1°C (30°F)

#### Manual Defrost

To select manual defrost, hold the button DOWN arrow for 5 seconds. The snow flake icon will appear on the display. When this icon is solid it indicates that the equipment is in Defrost mode.



To exit manual defrost, hold the DOWN button arrow for 5 seconds. The snow flake icon will turn off. Wait 2 minutes for the compressor to start



## MAINTENANCE

- 4.1 General safety rules.
- 4.2 Machine cleaning and maintenance routine.
- 4.3 Machine disposal.

### 4.1 General safety rules

Neglecting the condenser coil cleaning procedures WILL VOID YOUR WARRANTY associated with the compressor or cost to replace the compressor!

Proper cleaning of stainless steel requires soft cloths or plastic scouring pads. Never use steel pads, wire brushes or scrapers!

### 4.2 Machine cleaning and maintenance routine

Cleaning solutions need to be alkaline or non-chloride cleaners. Any cleaner containing chlorides will damage the protective film of the stainless steel. Chlorides are also commonly found in hard water, salts, and household and industrial cleaners. If cleaner containing chlorides are used be sure to rinse repeatedly and dry thoroughly upon completion.

Routine cleaning of stainless steel can be done with soap and water. Extreme stains or grease should be cleaned with a non-abrasive cleaner and plastic scrub pad. There are also stainless steel cleaners available which can restore and preserve the finish of the steels protective layer.

Never use and acid based cleaning solution! Many food products have an acidic content which can deteriorate the finish. Be sure to clean the ALL food products from any stainless steel surface. Common items include peppers, tomatoes and other vegetables.

#### 4.2.1 Cleaning the Condenser Coil

Disconnect machine. Remove front bottom panel and carefully slide out the condensing unit. The condenser coil requires regular cleaning; recommended every 30-60 days, depending of the accumulation of dust and grease. If the buildup on the coil consists of only light dust and debris the condenser coil can be cleaned with a simple brush. Heavier dust build up may require a vacuum or even compressed air to blow through the condenser coil. If heavy grease is present there are de-greasing agents available for refrigeration use and specifically for the condenser coils. The condenser coil may require a spray with the de-greasing agent and then blown through with compressed air.

Be sure all electrical and mechanical parts are dry before turning on the power.

Never use a high pressure water wash for this cleaning procedure as water can damage the electrical components located near or at the condenser coil. Do not place filter material in front of condenser coil. This material blocks air-flow to the coil similar to having a dirty coil!

If you keep the Condenser clean you will minimize your service expense and lower your electrical costs. Failure to maintain a clean condenser coil can initially cause high temperatures and excessive run times. Continuous operation with dirty or clogged condenser coils can result in compressor failures.

To put back the condensing unit in its place, slide in the unit carefully. BE SURE DRAIN PIPE IS LOCATED OVER THE PAN. Replace front bottom panel

### 4.2.2 Draining the Unit

Each unit has a drain located inside the unit which removes the condensation from the evaporator coil and evaporates it at an external condensate evaporator pan. Each drain can become loose or disconnected from moving or bumping the drain.

**IF YOU NOTICE EXCESSIVE WATER ACCUMULATION ON THE INSIDE OF THE UNIT** be sure the drain tube is connected

**IF WATER IS COLLECTED UNDERNEATH THE UNIT** you may want to check the leveling of the unit, because it is important by the properly drain, if your floor is not level this can also cause drain problems. Be sure all drain lines are free of obstructions; typically food product is found blocking drain lines causing water to back up and overflow the drain pans.

### 4.3 Machine disposal

The product's life-cycle is around 7 to 10 year from the use an operation date.

Asber equipment is manufactured without dangerous or toxic materials. Some parts of the equipments are biodegradable.

The disposing after the **product's life-cycle** shall be determined according to the rules and laws established in the city or State of residence.

REMEMBER TO TAKE CARE OF THE ENVIRONMENT.

## TROUBLESHOOTING CHART

### 5.1 Troubleshooting guide chart

#### 5.1 Troubleshooting

Follow the next steps before requesting warranty service. Failure to do so, may result in service charges for you and may void your warranty:

- 1) Refrigerator doesn't work:
  - a. Check that the machine is still connected.
  - b. Check that the ON/OFF button is in the ON position.
- 2) Refrigerator doesn't reach temperature :
  - a. Verify unit is not on saving mode
  - b. Check that control is not in OFF position.
  - c. Check that the machine is not in the defrost cycle.
  - d. Ensure Equipment is in a ventilated place and removed minimum of 2 inches from any other appliance and away from any heat source.
  - e. The environment maximum temperature must be 38 °C/ 100°F.
  - f. To insure proper air flow, product must not be placed higher than the maximum level mark located on the internal wall of the unit.
  - g. Check that the fan is moving.
  - h. Don't put any food inside until the unit has reached the proper temperature.
  - i. Be sure castors or legs were installed.
- 3) There is water inside the refrigerator:
  - a. Check that there is not food clogging the drain line.
- 4) There is water under the refrigerator:
  - a. Check that the cabinet is level.

Warning: To insure proper operation of equipment, it is recommended that the unit is on for 24 hours prior to the introduction of perishables.

## WARRANTY

### 6.1 Limited Warranty

**One Year Parts & Labor Warranty:** Asber Commercial, Inc. ("Asber") Warrants to the first-end-user purchaser (the "User") that the Asber brand equipment sold hereunder, except for parts and accessories which carry the warranty of a supplier (the "Equipment") will be free from defects in material and factory workmanship under normal conditions of use and maintenance for a period of one (1) years from the date of installation (Warranty commencement date), but in no event to exceed eighteen (18) months from the date of shipment from the factory. Warranty is Not Transferable.

**Warranty Coverage:** If there is a defect in material or factory workmanship covered by this Warranty reported to Asber during the period the applicable Warranty is in force and effect, Asber will repair or replace, at Asber's option, that part (ground shipping only) of the Equipment that has become defective and will cover labor cost (straight time only) within the corresponding warranty period of time Asber shall bear all labor costs (straight time only) in connection with the installation of these replacement parts, provided that, the installation is conducted by Asber or its authorized representative. Charges for warranty travel time round trip, total two (2) hours or up to 100 miles total. Any charges exceeding those stated herein must have prior authorization by Asber. Travel outside of the two (2) hours or 100 miles, and any work performed at overtime or weekend rates, would be the responsibility of the owner/user. In the case Asber deems the equipment non-repairable, said equipment will be replaced and the replacement unit(s) will carry the same warranty period from the original unit's installation date (original Warranty Commencement Date).

**Additional Three Year Compressor Part Warranty:** In addition to the warranty set above, Asber warrants the sealed compressor (part only) for an additional four (4) years based on the installation date. This warranty is for defects, both in workmanship and material, under the normal and proper use and maintenance service. The four (4) year extended warranty only applies to sealed parts of the compressor and does not apply to any other part or component, including, but not limited to cabinet, temperature control, refrigerant, motor starting equipment, fan assembly, or any other electrical or mechanical component.

#### Exclusions from and Conditions to Warranty

**Coverage:** This Warranty does not cover parts or accessories, which (a) carry the warranty of a supplier or (b) are abused. Application of this Warranty is further conditioned upon the following:

**Installation:** The Equipment must be properly installed in accordance with Asber's installation procedures and by a professional technician.

**No Alteration:** The Equipment must not have been modified or altered from its condition at the date of original installation.

**Use:** ASBER EQUIPMENT IS NOT DESIGNED FOR PERSONAL, FAMILY, OR HOUSEHOLD PURPOSES, AND ITS SALE FOR SUCH PURPOSES IS NOT INTENDED. IN THE EVENT THE EQUIPMENT IS SO USED, THIS WARRANTY SHALL BE NULL AND VOID, AND THE EQUIPMENT SHALL BE DEEMED TO HAVE BEEN SOLD "AS IS-WHERE IS" WITHOUT ANY WARRANTY OF ANY KIND, INCLUDING WITHOUT LIMITATION ANY WARRANTY OF TITLE, NON-INFRINGEMENT, MERCHANT-ABILITY OR FITNESS FOR A PARTICULAR PURPOSE.

**Proper Maintenance and Operation:** The Equipment must be properly maintained and operated in accordance with Asber's maintenance and operating procedures. All service, labor and parts must be acquired from Asber or its authorized service representative for the User's area.

This warranty is void if failure is a direct result of handling and/or transportation, fire, water, accident, misuse, acts of god(s), attempted repair by unauthorized persons, improper installation, if serial number has been removed or altered, or if unit is used for purpose other than it was originally intended.

Failure to comply with any of these conditions will void this Warranty. In addition, this Warranty does not cover defects due to apparent abuse, misuse or accident.

**Parts Warranty Coverage:** Asber warrants all new machine parts produced or authorized by Asber to be free from defects in material and workmanship for a period of 90 days from the Warranty Commencement Date. If any defect in material and workmanship is found to exist within the warranty period, Asber will replace the defective part without charge. Defective parts become the property of Asber.

Asber will have no responsibility to honor claims received after the date the applicable Warranty expires. Notwithstanding the foregoing, any claim with reference to the Equipment or any parts therefore for any cause shall be deemed waived unless submitted by the User to Asber within (30) days after the date the User discovered, or should have discovered, the claim. In connection with all claims under this Warranty, Asber will have the right, at its own expense, to have its representatives inspect the Equipment at the User's premises and to request all of the User's records pertaining to the Equipment to determine whether a defect exists, whether the conditions set forth in this Warranty have been satisfied, and whether or not the applicable Warranty is in effect.

THE FOREGOING WARRANTY IS IN LIEU OF AND EXCLUDES ALL OTHER WARRANTIES NOT EXPRESSLY SET FORTH HEREIN, WHETHER EXPRESS OR IMPLIED BY OPERATION OF LAW OR OTHERWISE, INCLUDING BUT NOT LIMITED TO ANY REPRESENTATION OF PERFORMANCE AND ANY IMPLIED WARRANTIES OF TITLE, NON-INFRINGEMENT, MERCHANTABILITY OR FITNESS FOR A PARTICULAR PURPOSE. NO OTHER WARRANTIES ARE AUTHORIZED ON BEHALF OF ASBER UNLESS SPECIFICALLY ISSUED BY ASBER.

Asber shall have no liability for incidental or consequential losses, damages including without limitation or expenses, loss of sales, spoiled food, profits or goodwill, claims whether or not on account of refrigeration failure or punitive or exemplary damages directly or indirectly arising from the sale, handling or use of the Equipment or from any other cause relating thereto, whether arising in contract, tort, warranty, strict liability or otherwise. Asber's liability hereunder in any case is expressly limited, at Asber's election, to repair or replacement of Equipment or parts therefore or to the repayment of, or crediting the user with, an amount equal to the purchase price of such goods.

**Prices & Specifications:** Asber reserves the right to change the prices and specifications of the equipment and/or material without notice. Prices are FOB Asber warehouses. All orders are subject to acceptance by Asber Commercial, Inc.

**Terms:** All orders are subject to credit approval. All Invoices not paid within the specified terms will be subject to a 1.5% per month delinquency charge. Buyer agrees to pay all costs of collection including such attorney's fees as may be allowed by law.

**Taxes:** This price list does not include any Federal, State, City or Local taxes, which may apply and are subject thereto.

**Shipment:** Requested carrier will be used upon request. Asber has the right to ship via any responsible carrier if requested carrier is unavailable. Shipping charges are payable by consignee and any claims arising as such charges shall be resolved between the carrier and the consignee. Shipping dates are approximates. Asber is not responsible for any delays in deliveries that are beyond our control.

**Damaged Merchandise:** Inspect shipment for any damage, before accepting it. If damaged, open and inspect the contents with the carrier. Any damage should be noted and reported on the delivering carrier's receipts. Asber does not assume nor responsibility for damages while in transit.

**Concealed Damage:** If there is concealed damage to the equipment, notify the carrier immediately. Notification should be made verbally as well as in written form. Request an inspection by the shipping company of the damaged equipment. Retain all crating material until inspection has been made.

**Cancellations & Returns:** Cancelled orders and returned merchandise are subject to a 25% restocking and handling charge. Written authorization is required for a return of any equipment. All equipment returned must be in its original factory crate; freight prepaid and must be in the same condition as originally shipped by Asber. Returns will only be authorized within 30 days of invoice date.

**ESPAÑOL**

INTRODUCCION .....	3
<b>1.1</b> INTRODUCCION A LOS EQUIPOS Y MODELOS .....	3
<b>1.2</b> INFORMACION DE SEGURIDAD .....	3
<b>1.3</b> TABLA DE ESPECIFICACIONES .....	3
INSTALACION .....	12
<b>2.1</b> Información General.....	12
<b>2.2</b> Transporte, manejo, desempaque y localización .....	12
<b>2.3</b> Uso y restricciones.....	13
<b>2.4</b> Placa de identificación del Fabricante .....	13
<b>2.5</b> Instalación y Ensamble .....	14
<b>2.6</b> Conexiones .....	14
OPERACION.....	6
<b>3.1</b> Información General.....	6
<b>3.2</b> Descripción del panel de control.....	6
<b>3.2.1</b> Control electrónico .....	6
<b>3.3</b> Configuraciones del Equipo .....	7
MANTENIMIENTO .....	8
<b>4.1</b> Reglas de seguridad general.....	8
<b>4.2</b> Rutina de limpieza y mantenimiento del equipo .....	8
<b>4.2.1</b> Limpiando el condensador .....	8
<b>4.2.2</b> Drenado .....	9
<b>4.3</b> Disposición del equipo.....	9
SOLUCIONANDO PROBLEMAS .....	9
<b>5.1</b> SOLUCIONANDO PROBLEMAS .....	9
GARANTIA .....	18
<b>6.1</b> Garantía Limitada .....	181

# INTRODUCCION

## 1.1 Introducción a los equipos y modelos

Vitrinas ASBER traen la combinación perfecta de materiales, calidad y diseño. Acero inoxidable pulido, elegante vidrio curvado y aluminio anodizado trabajando juntos bajo una brillante Luz LED para la exhibición de un producto atractivo. Estas unidades mantiene un constante flujo de aire, manteniendo todo el sabor y textura de sus platos frescos.

Los detalles que hacen esta línea única.

- Fabricación equilibrada con un sistema de refrigeración ecológico R-134a.
- Construcción de acero inoxidable con panel lateral de Metacrilato .
- Diseño de vidrio frontal curvo.
- Puerta corredera de cristal.
- La luz LED estándar.
- Viene estándar con bandejas gastronorm 1/3 - profundidad de 1,5 ".
- Montaje del compresor en lado derecho.
- Diseño de la placa fría por debajo de los recipientes para mantener los productos frescos y mantener los productos a temperatura de 36°-46 ° F.

## 1.2 Información de seguridad



**El equipo debe ser apagado y desconectado de la fuente de alimentación cuando realizar el mantenimiento, reparación o limpieza de la unidad condensadora.**

**Si la máquina sigue funcionando cuando está apagado, desconecte la alimentación principal antes de desenchufar la máquina.**



**La garantía de la maquina y el compresor se anulan debido a la instalación eléctrica inadecuada.**

**No introduzca alimentos calientes, productos químicos o corrosivos, drogas o botellas destapadas.**

### Notas

---

---

---

---

---

---

---

---

---

---

## INSTALACION

- 2.1 Información General
- 2.2 Transporte, manejo, desempaque y localización
- 2.3 Uso y restricciones
- 2.4 Placa de identificación del Fabricante
- 2.5 Instalación y ensamble
- 2.6 Conexiones (eléctricas, agua, gas)

### 2.1 Información General

En el equipo usted encontrará los siguientes símbolos y/o etiquetas que le ayudarán a identificar peligros y/o información útil relacionada con su equipo.



### 2.2 Transporte, manejo, desempaque y localización

Al momento de recibir su equipo ASBER, verifique el empaque en búsqueda de daños que pudieran haber ocurrido durante el transporte del mismo. Inspeccione de manera visual el exterior del empaque, si el mismo se encuentra dañado, abra e inspeccione, delante de la empresa transportadora, todo el equipo. Cualquier daño debe ser anotado y reportado en el recibo de entrega de la empresa transportadora.

**IMPORTANTE:** Una vez que se haya retirado todo el material del empaque, revise por la parte posterior del equipo el compartimiento del compresor. Inspeccione visualmente el sistema de refrigeración y asegúrese que las tuberías no estén dobladas y que no presenten alguna fisura, asegúrese que la base esté intacta.

Si al momento de abrir el empaque existe un daño oculto en el equipo, notifíquelo de inmediato a la empresa transportadora mediante un llamado telefónico así como también de manera escrita. Solicite una inspección por parte de la compañía transportadora si el equipo está dañado. Conserve todo el material de embalaje hasta que se haya realizado la inspección, contacte al proveedor con el que adquirió su equipo ASBER.



## 2.3 Uso y restricciones

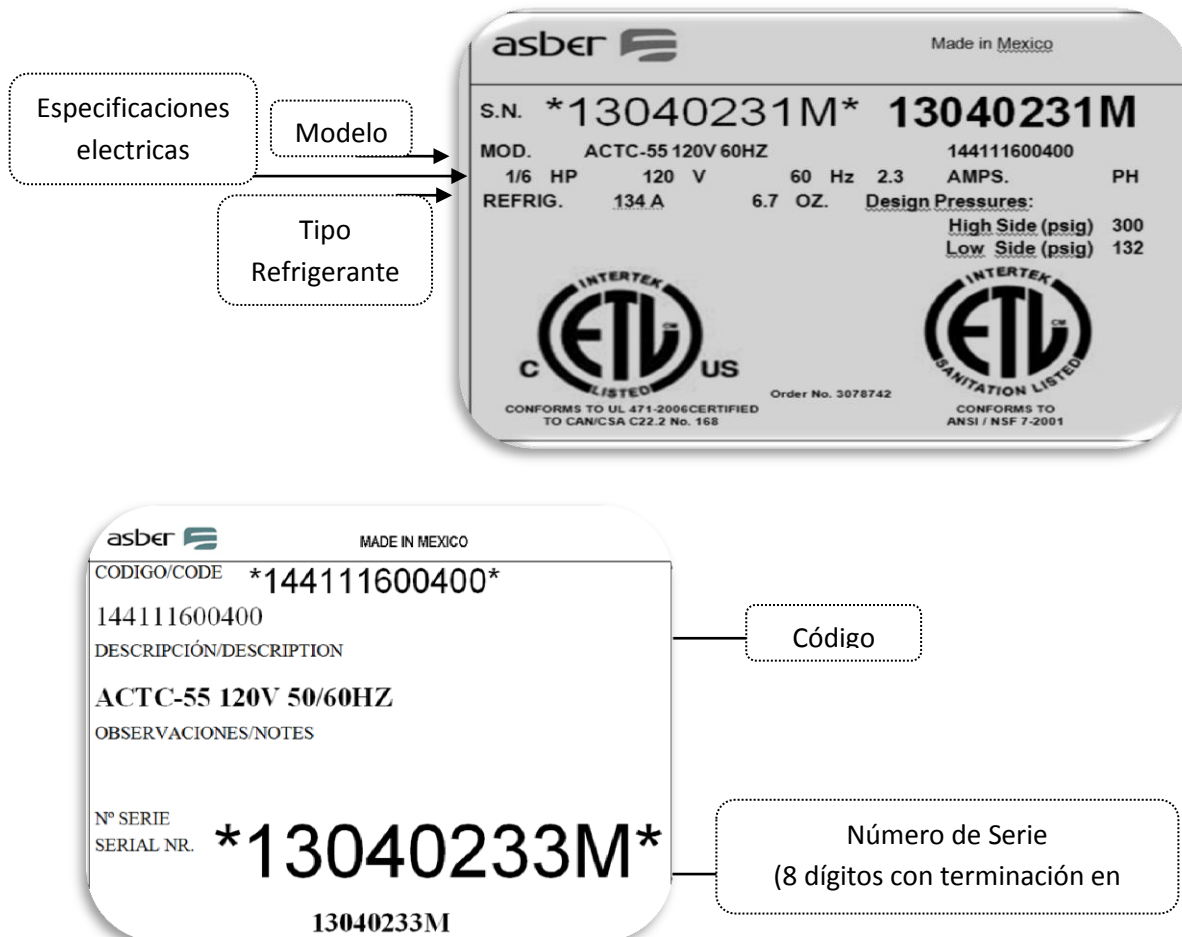
EL equipo ASBER no está diseñado para fines personales, familiares o del hogar, y su venta para esos fines no está prevista. En el caso de que el equipo se utiliza con tal fin, esta garantía será nula de pleno derecho, y el equipo se considerará que se han vendido "como es, donde es" sin garantía de ningún tipo, incluyendo, sin limitación, cualquier garantía de título, no infracción, los comerciantes la capacidad o aptitud para un propósito en particular.

Los equipos cumplen con los estándares de las normas UL y NSF-7

Si usted quiere saber más acerca de otras restricciones relacionadas con el equipo ver la garantía que se encuentra localizada al final del manual.

## 2.4 Placa de identificación del Fabricante

La placa de datos se encuentra dentro del gabinete, cerca de la parte superior delantera, a la izquierda. Bajo ninguna circunstancia debe quitar la placa de datos de la unidad. La placa de datos es esencial para identificar las características particulares de su máquina y es de gran beneficio para los instaladores, operadores y personal de mantenimiento. Se recomienda que, en caso de que se retira la placa de datos, copie la información esencial en este manual para referencia antes de la instalación. Remoción de la placa de datos anulará la garantía.





## 2.5 Instalación y Ensamble

Las unidades presentadas en este manual están diseñadas para uso interior solamente. Asegúrese de que la ubicación elegida tiene un piso lo suficientemente fuerte para soportar el peso total de la unidad y contenidos. Para la operación más eficiente, asegúrese de proveer buena circulación de aire dentro y fuera de la unidad.

### DENTRO DEL GABINETE

La primera limpieza debe hacerse cuando Desempaque el aparato y antes de encenderlo. Limpie con agua y un detergente suave. Cuando esté limpio y seco, inserte los accesorios en los lugares apropiados, para el mejor aprovechamiento del usuario.

### FUERA DEL GABINETE

Asegúrese que la unidad tenga buena circulación de aire alrededor de él. Evite rincones calientes y lugares cerca de estufas y hornos. Se recomienda instalar la unidad a no menos de 2 " de cualquier pared. El lugar donde se coloca el refrigerador debe estar ventilado y limpio, evitando que el ventilador de la unidad condensadora absorba materiales que luego se depositan en las láminas del condensador y bobina, que puede producir fallas.

La unidad no debe ser instalada bajo temperaturas ambientales superiores a 100 ° F.

Si la humedad relativa es superior al 60%, los marcos de las puertas pueden sudar agua. Esto no es un mal funcionamiento de la unidad.

## 2.6 Conexiones

Tome en cuenta los datos sobre el amperaje y voltaje que aparecen en la placa matricula del equipo. Es indispensable que la instalación eléctrica del usuario cumpla con los requerimientos y normatividades eléctricas nacionales y locales correspondientes al lugar donde se instalara el aparato. El equipo debe ser instalado en un circuito protegido por sobrecargas y/o cortos circuitos así como por variaciones de voltaje. **IMPORTANTE:** El contacto o enchufe debe tener conductor de tierra física obligatoriamente.

## OPERACION

### 3.1 Información General

### 3.2 Descripción del panel de control.

### 3.3 Configuraciones del Equipo

### 3.1 Información General

La buena circulación de aire dentro del gabinete es crítico. No obstruya el flujo de aire de los ventiladores.

Coloque el equipo a no menos de 2 pulgadas de espacio a lo largo del frente, parte posterior y los lados como separacion para una ventilacion adecuada.

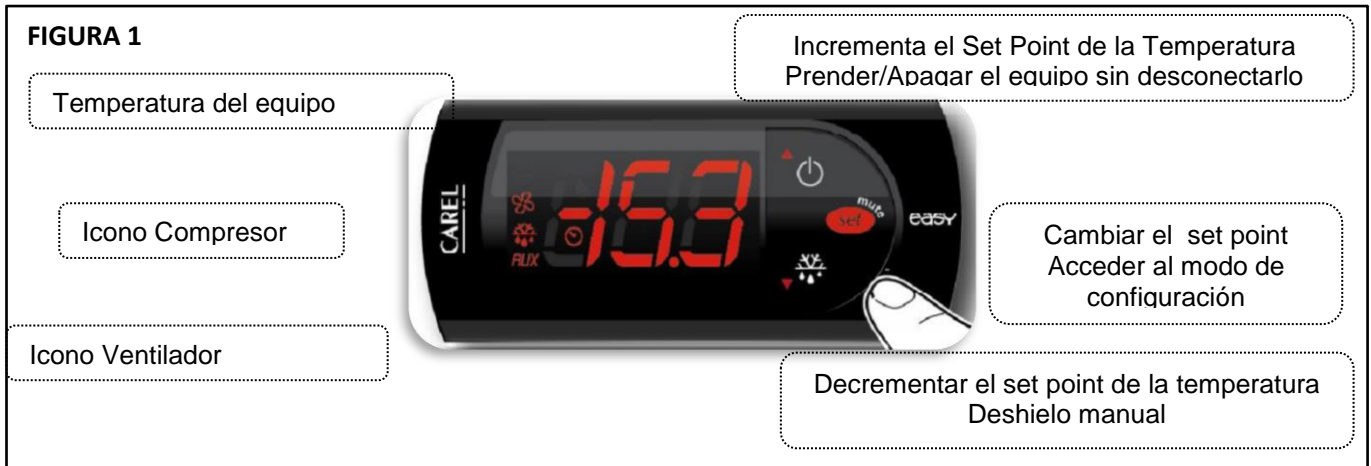
### 3.2 Descripción del panel de control

#### 3.2.1 Control electrónico

Después de conectar su unidad, active el interruptor situado en el controlador. La pantalla se encenderá mostrando la temperatura dentro de la unidad. Además, los iconos del compresor y del ventilador destellarán durante un período de tres minutos. Después de este retraso, la unidad comenzará de enfriamiento.

Verificar que no tienes ninguna alarma en el regulador de temperatura. Si después de encienda el equipo el controlador muestra el icono de alarma o un código de error, solicite servicio técnico. Te ayudarán a solucionar el problema.

FIGURA 1



### 3.3 Configuraciones del Equipo

#### Cambiando el Set Point (ajuste de temperatura)

El controlador tiene un SET POINT de temperatura programado de fábrica para garantizar el correcto funcionamiento del equipo. Si usted lo desea, puede cambiar el SET POINT de temperatura. Para ello, siga los pasos:

1. Pulse el botón de SET durante 2 segundos. Usted verá un número parpadeando, suelte el botón, el número parpadeando es el valor del SET POINT de temperatura.



2. Si desea aumentar el valor del SET POINT para una nueva temperatura, presione el botón de flecha hacia arriba. Pulse este botón para alcanzar el valor deseado, suelte el botón y luego presione el botón de SET para guardar el nuevo valor.

Nota:



El valor máximo que el control puede mostrar es en refrigeradores: 5°C (40°F)

3. Si desea disminuir el valor del SET POINT para una nueva temperatura, presione el botón de flecha hacia abajo. Pulse este botón para alcanzar el valor deseado, suelte el botón y luego presione el botón de SET para guardar el nuevo valor.

Nota:



El valor mínimo que el control puede mostrar es en refrigeradores: -1°C (30°F)

#### Deshielo Manual

Para seleccionar el deshielo manual, mantener presionado el botón de flecha hacia abajo por 5 segundos. El icono del deshielo parpadeará y se mostrará en la pantalla. Cuando el icono deje de parpadear el equipo estará en modo de deshielo.

Para salir del modo deshielo mantener presionado por 5 segundos el botón de la flecha hacia abajo. El icono de deshielo se apagará. Esperar 2 minutos para que el compresor comience a funcionar.

## MANTENIMIENTO

- 4.1 Reglas de seguridad general.
- 4.2 Rutina de limpieza y mantenimiento del equipo
- 4.3 Disposición del equipo

### 4.1 Reglas de seguridad general

Cualquier negligencia con los procedimientos de limpieza del compresor puede anular la garantía y generar un costo del remplazo del compresor.

Para la limpieza del acero inoxidable use paños suaves o esponjas. Nunca usar esponjas metálicas, cepillos de alambre o algún tipo de lija.

### 4.2 Rutina de limpieza y mantenimiento del equipo

La limpieza debe ser a base de limpiadores alcalinos o libres de cloro. Cualquier limpiador que contiene cloruros dañará la película protectora. Cloruros son también comúnmente encontrados en agua dura, sales y productos de limpieza domésticos e industriales. Si se utilizan limpiador que contienen cloruros asegúrese de enjuagar varias veces la superficie y seque bien al finalizar. La limpieza de rutina del equipo puede hacerse con agua y jabón. Las manchas de extremo o grasa deben limpiarse con un paño no abrasivo exfoliante limpiador. También hay limpiadores de acero inoxidable disponibles que se pueden restaurar y conservar el acabado de la capa protectora de los aceros.

Nunca use una solución de limpieza a base de ácido. Muchos productos alimenticios tienen un contenido ácido que puede deteriorar el acabado. Asegúrese de limpiar los todos los productos alimenticios de cualquier superficie de acero inoxidable.

#### 4.2.1 Limpiando el condensador

Desconecte la máquina. Quite el panel delantero inferior y cuidadosamente Deslice hacia afuera la unidad condensadora.

La bobina del condensador requiere una limpieza regular; recomendado cada 30 a 60 días, dependiendo de la acumulación de polvo y grasa. Si la acumulación en la bobina consta de sólo luz el polvo y suciedad del serpentín del condensador puede limpiarse con un cepillo simple. Mayor acumulación de polvo puede requerir un vacío o incluso aire comprimido para soplar aunque el serpentín del condensador. Si hay grasa pesada hay agentes desengrasante disponible para el uso de refrigeración y específicamente para los serpentines del condensador. La bobina del condensador puede requerir un spray con el agente desengrasante y luego soplado a través con aire comprimido.

Asegúrese de que todas las partes mecánicas y eléctricas estén secas antes de conectar la alimentación.

Nunca usar agua de alta presión para este procedimiento de limpieza, puede dañar los componentes eléctricos se encuentran cerca o en el serpentín del condensador. No coloque el material del filtro delante de la bobina del condensador. Este material bloquea el flujo de aire a la bobina similar a tener una bobina sucia!

Si mantienes el condensador limpio va a reducir al mínimo sus gastos de servicio y reducir sus costos de electricidad. No mantener un serpentín del condensador limpio inicialmente puede causar altas temperaturas y excesivos ciclos de operación. Operación continua con serpentines del condensador sucio u obstruido puede ocasionar fallas del compresor.

Para devolver la unidad condensadora en su lugar, deslice la unidad con cuidado. **ASEGÚRESE DE QUE EL TUBO DE DESAGÜE ESTÁ SITUADO SOBRE LA BANDEJA.**

### 4.2.2 Drenado

Cada unidad tiene un drenado ubicado dentro de la unidad que elimina la condensación de la bobina del evaporador y lo evapora en un exterior condensado del evaporador. Cada drenaje puede ser removido o desconectado.

Si percibe excesiva acumulación de agua en el interior de la unidad asegúrese de que está conectado el tubo de desagüe del evaporador a la bandeja de drenaje de condensado del evaporador.

La nivelación de la unidad es importante, ya que las unidades están diseñadas para drenar adecuadamente cuando sobre una superficie nivelada, si el piso no está nivelado esto también puede causar problemas de drenaje. Asegúrese de que todas las líneas de desagüe estén libres de obstrucciones.

## 4.3 Disposición del equipo

El ciclo de vida promedio de los productos ASBER es de 7 a 10 a partir de la fecha uso e instalación.

Los equipos ASBER son fabricados sin materiales tóxicos o peligrosos. Algunas partes son biodegradables.

La disposición final del equipo después del término del ciclo de vida será definido de acuerdo a las reglas, y leyes establecidas en la ciudad y/o estado de residencia.

RECUERDE CUIDAR EL MEDIO AMBIENTE.

## SOLUCIONANDO PROBLEMAS

### 5.1 SOLUCIONANDO PROBLEMAS

#### 5.1 Solucionando problemas

Algunas veces, las fallas son debido a causas simples que pueden ser solucionadas por el usuario. Antes de pedir ayuda a un técnico calificado, debe hacer algunas verificaciones. Estas fallas no están cubiertas por la garantía:

- 1) El refrigerador no funciona:
  - a. Verifique que la máquina este conectada de forma correcta y que exista el voltaje correcto para el equipo.
  - b. Verifique que el "Botón Encendido/Apagado" este en la posición de "Encendido".
- 2) El refrigerador no da la temperatura adecuada:
  - a. Verifique que el equipo no está en el ciclo de deshielo.
  - b. Verifique que la temperatura no esté en °F.
  - c. Verifique que el control no marque alguna alarma.
  - d. Verifique que el SET POINT de temperatura es el correcto.
  - e. Verifique que no existe obstrucción al flujo del aire en el interior del equipo.
  - f. Asegúrese que el condensador este limpio y que no haya objetos que obstruyan el paso de aire por las tuberías del condensador.
  - g. Verifique que el ventilador del condensador funciona.
- 3) Hay agua dentro del equipo:
  - a. Verifique que no haya alimento obstruyendo la línea del drenaje.
- 4) Hay agua debajo del equipo:
  - a. Verifique que el gabinete este nivelado.

# GARANTIA

## 6.1 Garantía Limitada

**Garantía de un año en piezas & mano de obra:** Asber Commercial, Inc. ("Asber") garantiza al comprador ("usuario") que el equipo marca Asber vendido conforme al presente, con excepción de las piezas y accesorios que llevan la garantía de un proveedor (el "equipo") estarán libres de defectos en materiales y problemas de fabricación bajo condiciones normales de uso y mantenimiento durante un período de un 1 año desde la fecha de instalación (fecha de inicio de garantía), pero en ningún caso exceder de 18 meses desde la fecha de envío desde la fábrica. Esta Garantía **No** es transferible.

**Cobertura de la garantía:** Si hay un defecto de material o problema de fabricación será cubierto por esta garantía, durante el período que la garantía está en vigor. Asber reparará o reemplazará esa parte (envíos terrestres solamente) del equipo que presenta defectos y cubrirá costos de mano de obra dentro del período de garantía correspondiente. Asber absorberá todos los costos en relación con la instalación de piezas de repuesto, siempre que la instalación se lleva a cabo por Asber o su representante autorizado. Cargos extra deben tener una autorización previa por Asber. Cualquier trabajo realizado en horas extra o fin de semana, sería la responsabilidad del propietario/usuario. En el caso que Asber considere que el equipo no se pueda reparar, dicho equipo será reemplazado y constara con el mismo período de garantía desde la fecha de instalación de la unidad original (fecha de inicio de garantía original).

**Garantía de tres años adicional en compresor:** Además de la garantía establecida anteriormente, Asber garantiza el compresor (parte solamente) por otros cuatro 4 años basado en la fecha de instalación (incluyendo los 12 meses antes mencionados). Esta garantía es por defectos, tanto en mano de obra y material, bajo el servicio normal y adecuado uso y mantenimiento. La garantía extendida sólo se aplica a las piezas selladas del compresor y **NO** aplica a cualquier otra parte o componente, incluyendo el gabinete, kits de arranque, control de temperatura, montaje de ventilador o cualquier otro componente eléctrico o mecánico.

**Exclusiones y condiciones para la cobertura de la garantía:** Esta garantía no cubre las piezas o accesorios que cuenten con la garantía de un proveedor externo o bajo daños por manipulación no autorizada.

La aplicación de la presente garantía adicional está condicionada a los siguientes términos:

**Instalación:** El equipo debe instalarse correctamente conforme a los procedimientos de instalación de Asber o por un técnico autorizado.

**No alteración:** El equipo **NO** debe haber sido modificado o alterado de su condición posterior a la fecha de instalación original.

**Uso:** El equipo ASBER no está diseñado para uso personal, familiar, o con fines domésticos y su venta para tales fines no está prevista en dicha garantía.

EN EL CASO DE QUE EL EQUIPO QUE SEA UTILIZADO BAJO LAS CONDICIONES ANTES MENCIONADAS, ESTA GARANTÍA SERÁ NULA Y EL EQUIPO SE CONSIDERARÁ VENDIDO "COMO ES-DONDE ES" SIN NINGUNA GARANTÍA DE NINGÚN TIPO, INCLUYENDO SIN LIMITACIÓN CUALQUIER GARANTÍA DE TÍTULO O IDONEIDAD PARA UN PROPÓSITO EN PARTICULAR.

**Mantenimiento y operación:** El equipo debe presentar el debido mantenimiento y ser operado de acuerdo con el mantenimiento y procedimientos operativos estipulados por ASBER. Todo servicio, mano de obra y piezas deben adquirirse con Asber o su representante autorizado para la zona correspondientes para el usuario.

Esta garantía es nula si la falla o problema presentado es una consecuencia directa o indirecta de un accidente, uso indebido, manipulación o transporte, fuego, agua, intento de reparación por personas no autorizadas, instalación incorrecta, remoción de la placa de datos o si el equipo se utiliza para un propósito diferente al previsto originalmente.

Cumplir con alguna de estas condiciones anulará esta garantía. Además, esta garantía no cubre defectos debidos al mal uso del equipo.

**Cobertura de la garantía para partes:** Asber garantiza todas las partes producidas o autorizadas por Asber por defectos en material y/o fabricación en un período de 90 días desde la fecha de inicio de garantía. Si se encuentra cualquier defecto en materiales o fabricación dentro del período de garantía, Asber va a reemplazar la parte defectuosa sin cargo extra.

## **LAS PARTES DEFECTUOSAS SERÁN PROPIEDAD DE ASBER.**

Asber no tendrá ninguna responsabilidad para atender las solicitudes recibidas después de la fecha vencida de la garantía. No obstante a lo anterior, cualquier reclamación en relación con el equipo o de cualquier parte, se considerará si es reportada por el usuario dentro de los 30 días después del reclamo. Con respecto a todos los reclamos bajo esta garantía, Asber tendrá el derecho, bajo su propio costo inspeccionar el equipo en las premisas del usuario y solicitar todos los expedientes de los usuarios pertenecientes a los equipos para determinar si existe un defecto, si las condiciones establecidas en esta garantía han sido satisfechas, y si es en efecto la garantía aplicable.

ESTA GARANTÍA REEMPLAZA Y EXCLUYE TODAS LAS DEMÁS GARANTÍAS QUE NO SE MENCIONEN EXPRESAMENTE EN ESTE DOCUMENTO, YA SEA EXPRESA O IMPLÍCITA POR LEY O DE OTRA MANERA, INCLUYENDO PERO NO LIMITANDO A CUALQUIER REPRESENTACIÓN DE RENDIMIENTO Y EXCLUYE CUALQUIER GARANTÍA DE TÍTULO. NO EXISTEN OTRAS GARANTÍAS AUTORIZADAS EN NOMBRE DE ASBER A MENOS QUE SEA ESPECÍFICAMENTE EXPEDIDA POR ASBER.

Asber no tendrá responsabilidad por daños incidentales o consecuentes pérdidas, daños y perjuicios incluyendo, sin limitación o gastos, pérdida de alimento estropeado, ventas, utilidades o buena voluntad, reclamos debido a la falta de refrigeración o ejemplares que surjan directa o indirectamente de la venta, manipulación o uso del equipo o de cualquier otra causa concerniente a ese arreglo, ya surjan por contrato, garantía, agravio, responsabilidad estricta o de otra manera. La responsabilidad de Asber presente en cualquier caso está expresamente limitada, a elección de Asber, a la reparación o reemplazo de equipo o piezas o para el pago al usuario con una cantidad igual al precio de compra de dichos bienes.

**Precios & Especificaciones:** Asber reserva el derecho de cambiar los precios y las especificaciones de los equipos y material sin previo aviso. Todas las órdenes están sujetas a aceptación por Asber Commercial, Inc.

**Términos:** Todos los pedidos están sujetos a aprobación de crédito. Todas las facturas no pagadas dentro de los plazos especificados estarán sujetos a un 1,5% de cargo extra por mes. El comprador acuerda pagar todos los costos tales como honorarios del transportista de acuerdo a lo permitido por la ley.

**Impuestos:** Esta lista de precios no incluye cualquier impuesto Federal, estatal, de ciudad o Local, que puede aplicarse y está sujeto al mismo.

**Envío:** Portador solicitado se utilizará bajo petición. Asber tiene el derecho de enviar vía cualquier transportista si así lo solicita el portador. Los gastos de envío son pagados por el destinatario y cualquier reclamación que surja como tal será resuelta entre el portador y el consignatario. Las fechas de envío son aproximados.

Asber no es responsable por los retrasos en las entregas que están fuera de nuestro control.

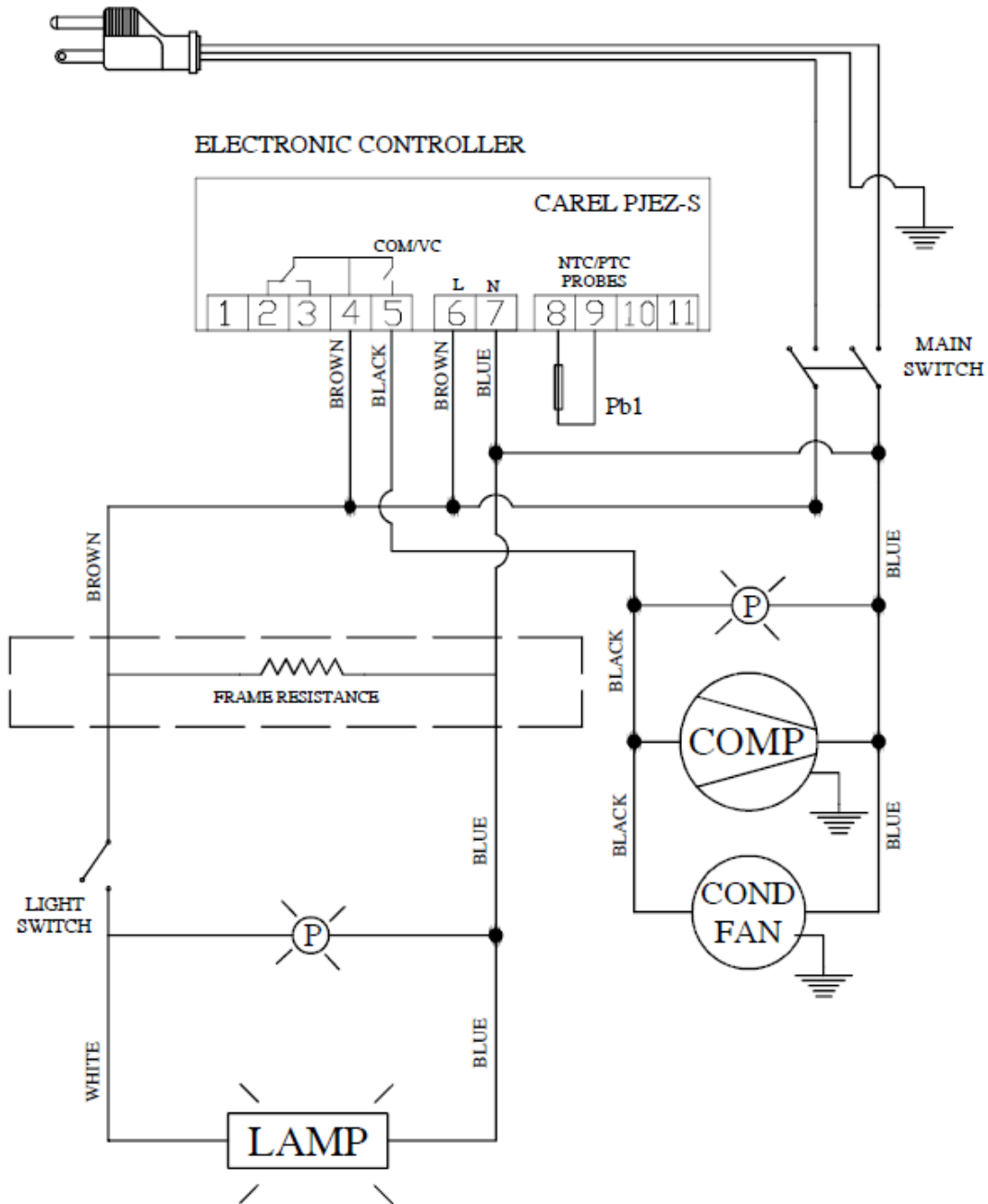
**Mercancía dañada:** Inspeccione el envío por cualquier daño, antes de aceptarlo. Si está dañado, abra e inspeccione el contenido con el transportista. Cualquier daño debe ser observado y registrado en los recibos de entrega del transportista. Asber no asume responsabilidad por daños en trasporte.

**Daños ocultos:** Si hay daños ocultos al equipo, notifique inmediatamente al transportista. La notificación debe ser hecha verbalmente así como en forma escrita. Solicite una inspección por la compañía de envío del equipo dañado. Guarde todo el material de embalaje hasta que la inspección se haya realizado.

**Cancelaciones y devoluciones:** Pedidos cancelados y/o mercancía devuelta están sujetos a un cargo del 25% por concepto de reabastecimiento y manejo de carga para el usuario. La autorización es necesaria para el regreso de cualquier equipo. Todo el equipo devuelto debe estar en su caja original de fábrica, flete pre pagado y debe estar en la misma condición como originalmente fue enviado por Asber. Sólo se autorizarán devoluciones dentro de 30 días posteriores a la fecha de la factura

# ELECTRIC DIAGRAM / DIAGRAMA ELECTRICO

ACTC 55/ 69\_SL



Note: Frame resistane is included only in Sushi Line. / Nota: La resistencia de marco solo esta incluida en la linea de Sushi.



**ASBER PROFESSIONAL**

Parque Industrial Tres Naciones  
San Luis Potosí, S.L.P. México  
Teléfono Planta S.L.P.: + 52 (444) 137 0500 Ext.538  
Sin costo: 01 800 00 ASBER

13105 NW 47th Ave  
Miami, Fl. 33054  
Phone: (305) 477 1680

[www.asberprofessional.com](http://www.asberprofessional.com)

**MULTI-SOLUTION MANUFACTURER OF FOODSERVICE EQUIPMENT**