



CATALOGO DE REFACCIONES PARTS CATALOG

REFRIGERADORES VERTICALES/VERTICAL COOLERS



MODELOS: VRD

- *VRD18, VRD18-ULH
- *VRD28, VRD28-ULH
- *VRD42, VRD42-ULH
- *VRD42-4P
- *VRD5AI

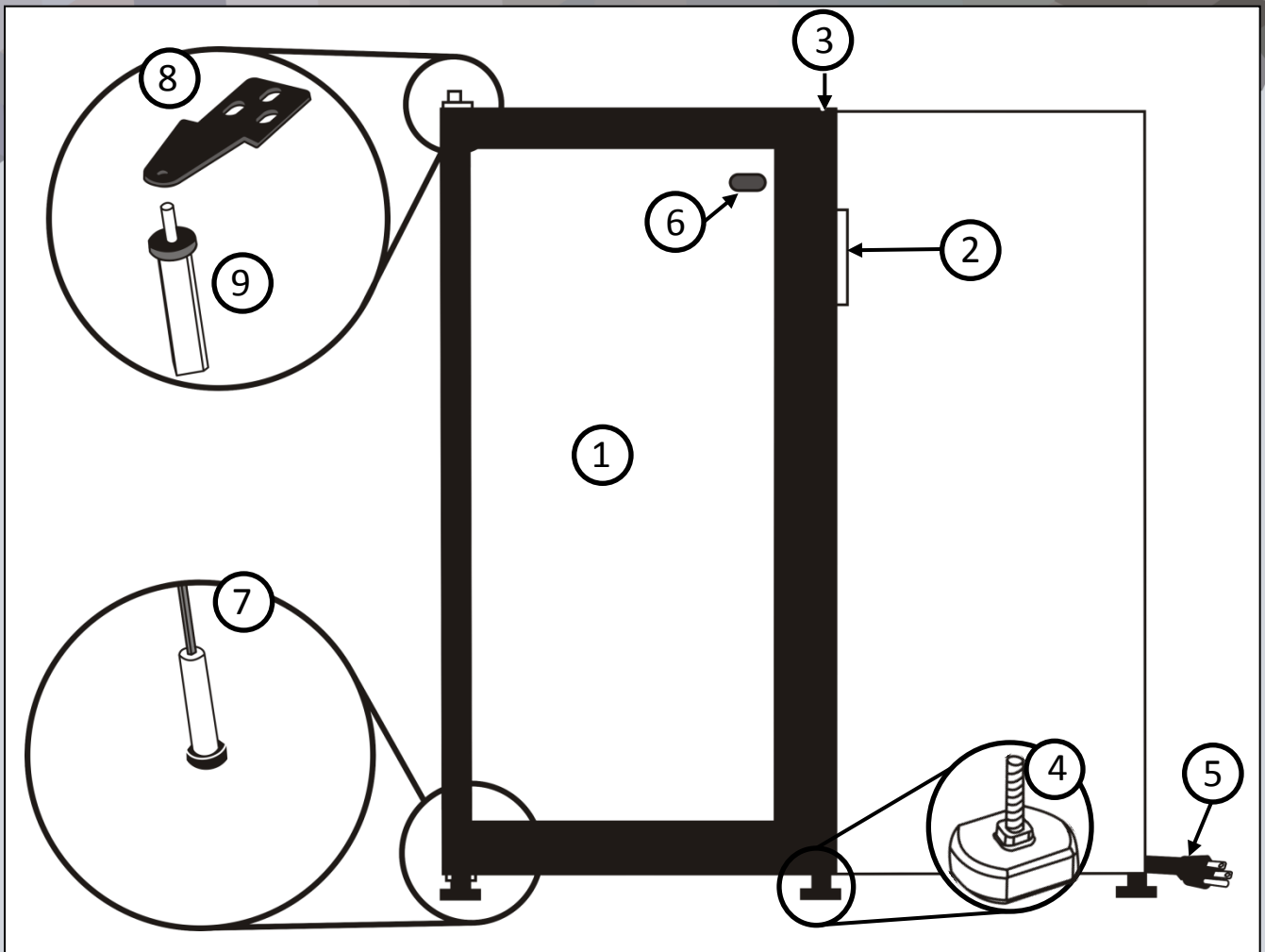
MODELS: VRD

- *VRD18, VRD18-ULH
- *VRD28, VRD28-ULH
- *VRD42, VRD42-ULH
- *VRD42-4P
- *VRD5AI

LÍNEA/LINE : REFRIGERADORES/COOLERS

MODELOS/MODEL : VRD5AI

AÑO/YEAR: 2016



| No. | CODIGO/CODE | DESCRIPCION/DESCRIPTION | CANTIDAD/AMOUNT |
|-----|----------------|--|-----------------|
| 1 | F-XPR-R0270 | PUERTA/DOOR | 1 |
| 2 | REF- MAPI-M017 | JALADERA PARA PUERTA/DOOR HANDLE | 1 |
| 3 | REF- PLEM-0042 | EMPAQUE MAGNETICO/DOOR GASKET | 1 |
| 4 | REF-MAIN-M006 | PATA PLASTICA NIVELADORA/PLASTIC LEVELERS FEET | 4 |
| 5 | REF-ELCL-0029 | CABLE DE SERVICIO/SERVICE CABLE | 1 |
| 6 | REF-EMET-0205 | ETIQUETA TORREY/TORREY LABEL | 2 |
| 7 | REF-MAIN-M001 | BARRA DE TORSION INYECTADA/TORSION BAR | 1 |
| 8 | F-XLR-R0747 | BISAGRA/HINGE | 2 |
| 9 | F-XSR-R0039 | PERNO PARA BISAGRA/HINGE PIN | 1 |

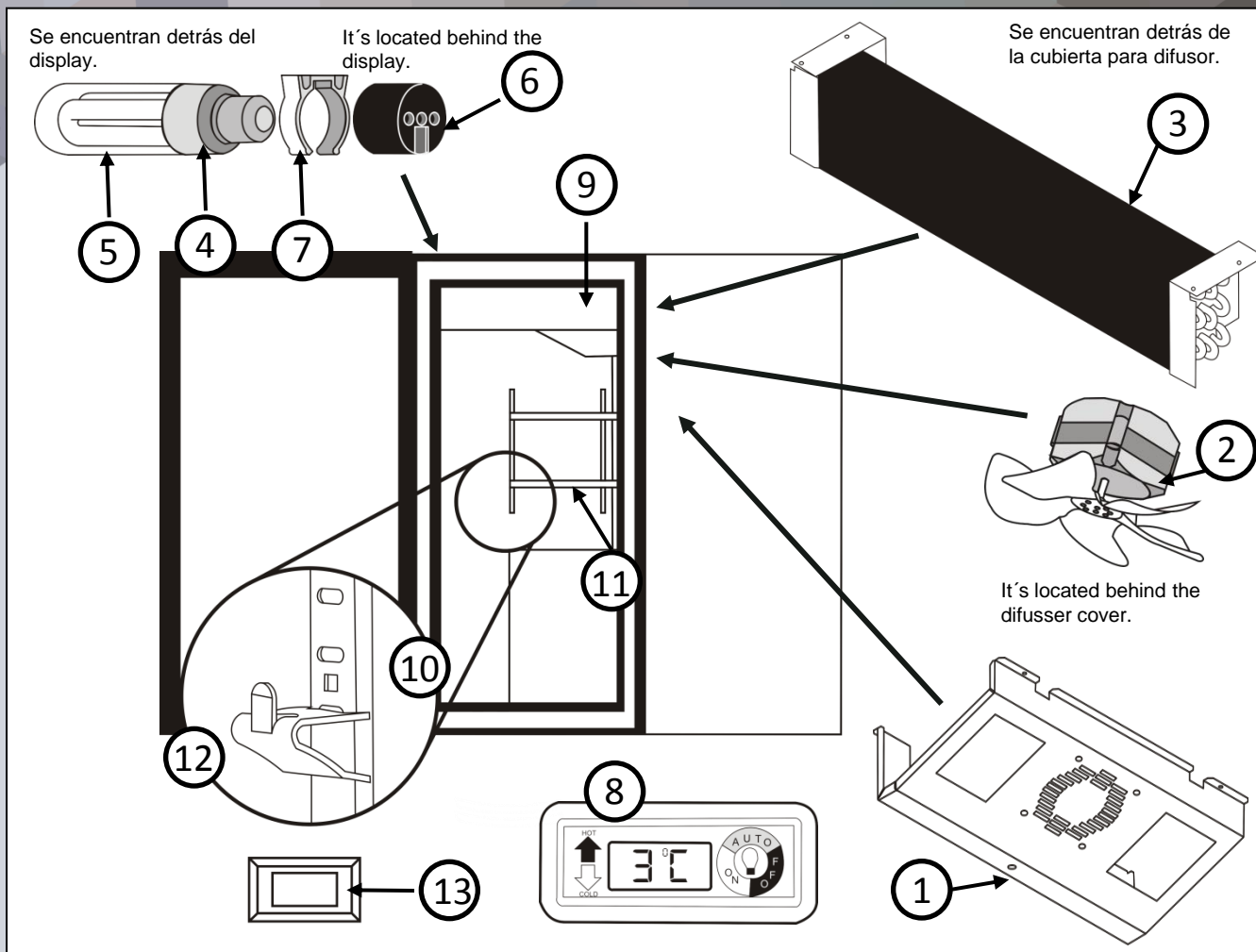
LÍNEA/LINE : REFRIGERADORES/COOLERS

MODELOS/MODEL : VRD5AI

AÑO/YEAR: 2016

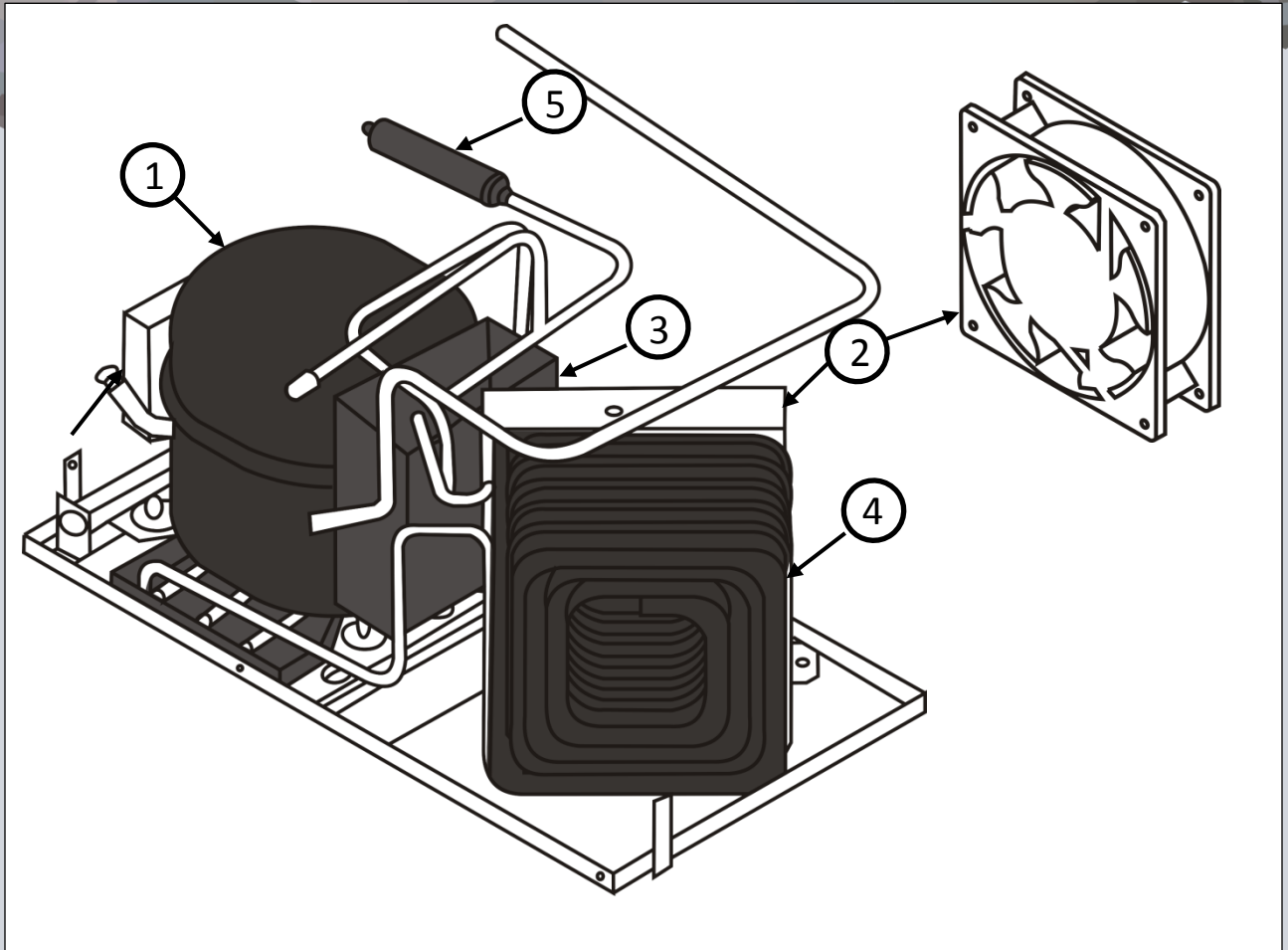


MR



| No. | CODIGO/CODE | DESCRIPCION/DESCRIPTION | CANTIDAD/AMOUNT |
|-----|---------------|--|-----------------|
| 1 | F-XLR-R0745 | CUBIERTA PARA DIFUSOR/DIFUSSER COVER | 1 |
| 2 | REF-MOMT-0046 | MICROMOTOR | 1 |
| 3 | REF-RFEV-0060 | EVAPORADOR/EVAPORATOR | 1 |
| 4 | REF-ELLM-0040 | FOCO/LIGHT | 1 |
| 5 | F-XPR-R0105 | CUBIERTA PARA FOCO/LIGHT COVER | 1 |
| 6 | REF-ELIL-0027 | SOCKET | 1 |
| 7 | REF-ELIL-0026 | CLAMP | 1 |
| 8 | REF-COTE-0048 | CONTROL DE TEMPERATURA/TEMPERATURE CONTROL | 1 |
| 9 | F-XLR-R0749 | MICA ESTIRENO/DISPLAY CATCHWORD | 1 |
| 10 | F-XLR-R0794 | CREMALLERA/ZIPPER | 4 |
| 11 | F-XSR-R0104 | PARRILLA/SHELF | 2 |
| 12 | REF-MTAM-0025 | CLIP SOPORTE PARA PARRILLAS/SHELF SUPPORT CLIP | 8 |
| 13 | REF-ELSW-0001 | SWITCH | 1 |

LÍNEA/LINE : REFRIGERADORES/COOLERS
 MODELOS/MODEL : VRD5AI
 AÑO/YEAR: 2016



| No. | CODIGO/CODE | DESCRIPCION/DESCRIPTION | CANTIDAD/AMOUNT |
|-----|---------------|-----------------------------------|-----------------|
| 1 | REF-RFCM-0131 | COMPRESOR /COMPRESSOR | 1 |
| 2 | REF-MOMT-0046 | MICROMOTOR | 1 |
| 3 | F-XLS-R0078 | CAJA DE CONDENSADOS/CONDENSER BOX | 1 |
| 4 | REF-RFCN-0037 | CONDENSADOR /CONDENSER | 1 |
| 5 | REF-RFDH-0012 | FILTRO DESHIDRATADOR/DRYER | 1 |