

PROJECT NAME	LOCATION		AIA #
ITEM #	QTY	MODEL #	SIS #

# SPEC SERIES®

REACH-IN SOLID SWING DOOR FREEZERS WITH HYDROCARBON REFRIGERANT

models	STR3F-6HS-HC	STA3F-6HS-HC	STG3F-6HS-HC
--------	--------------	--------------	--------------

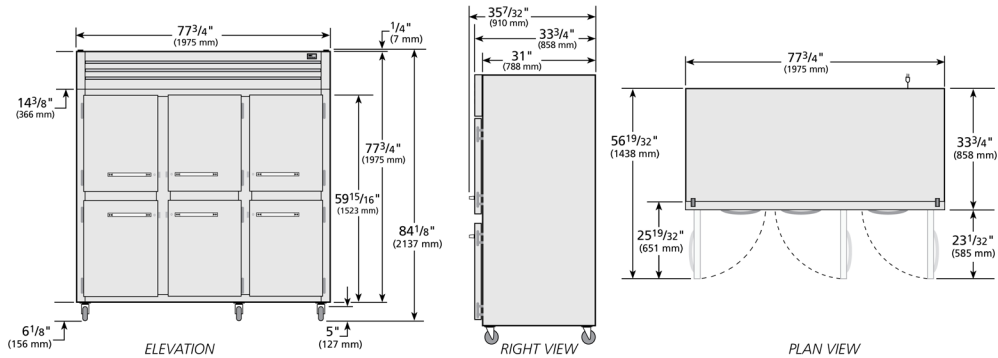


STR3F-6HS-HC	
<b>Exterior</b>	Stainless steel door, front & sides.
<b>Interior</b>	Stainless steel side walls, back, floor, door liner, & ceiling.
<b>Shelving</b>	(1) Interior kit option included per full section.

STA3F-6HS-HC	
<b>Exterior</b>	Stainless steel door, front & sides.
<b>Interior</b>	Aluminum side walls & back. Stainless steel floor & ceiling.
<b>Shelving</b>	(3) Heavy duty, chrome plated, wire shelves per section.

STG3F-6HS-HC	
<b>Exterior</b>	Stainless steel door & front, with matching aluminum sides.
<b>Interior</b>	Aluminum side walls & back. Stainless steel floor & ceiling.
<b>Shelving</b>	(3) Heavy duty, PVC coated, wire shelves per section.

## plan view



## SPECIFICATIONS

Dimensions	in.	mm.
Length	77 <sup>3</sup> / <sub>4</sub>	1975
Depth	33 <sup>3</sup> / <sub>4</sub>	858
Height	77 <sup>3</sup> / <sub>4</sub>	1975
Electrical	U.S.	International
Horsepower	1/2 x 2	N/A
Amps	13.8	N/A
Voltage	115/60/1	
NEMA	5-20P	
Cord Length	9 ft.	2.74 M.



\* Height does not include 6<sup>1</sup>/<sub>8</sub>" (156 mm) for castors or 6" (153 mm) for optional legs.  
 † Depth does not include 1<sup>1</sup>/<sub>2</sub> for door handle.  
 Unit utilizes a dual compressor system rated at 1/2 HP each.  
 Cord and plug set included.

Specifications subject to change without notice.  
 Chart dimensions are rounded up to the nearest 1/8" (millimeters rounded up to the next whole number).

PROJECT NAME	LOCATION	AIA #
ITEM #	QTY	MODEL #
		SIS #

# SPEC SERIES®

REACH-IN SOLID SWING DOOR FREEZERS WITH HYDROCARBON REFRIGERANT

models	STR3F-6HS-HC	STA3F-6HS-HC	STG3F-6HS-HC
--------	--------------	--------------	--------------



## standard features

### REFRIGERATION SYSTEM

- Factory engineered, self-contained, capillary tube system using environmentally friendly R290 hydrocarbon refrigerant that has zero (0) ozone depletion potential (ODP), & three (3) global warming potential (GWP).
- High capacity, factory balanced refrigeration system that maintains -10°F (-23.3°C) temperatures. Ideal for both frozen foods and ice cream.
- State of the art, electronically commutated evaporator and condenser fan motors. ECM motors operate at higher peak efficiencies and move a more consistent volume of air which produces less heat, reduces energy consumption and provides greater motor reliability.
- Top mounted refrigeration system with evaporator positioned out of food zone.
- Automatic defrost system time-initiated, temperature-terminated. Saves energy consumption and provides shortest possible defrost cycle.
- Automatic evaporator fan motor delay during defrost cycle.

### CABINET CONSTRUCTION

- Insulation - entire cabinet structure and solid door are foamed-in-place using a high density, polyurethane insulation that has zero ozone depletion potential (ODP) and zero global warming potential (GWP).
- 5" (127 mm) diameter plate castors - locks provided on front set.

### DOORS

- Lifetime guaranteed bolt style door locks.
- Lifetime guaranteed heavy duty all metal working door handles.
- Positive seal self-closing doors with 120° stay open feature. Lifetime guaranteed external cam lift door hinges, four (4) per door section.
- Magnetic door gaskets of one piece construction, removable without tools for ease of cleaning.

### LIGHTING

- LED interior lighting, safety shielded.

### MODEL FEATURES

- Exterior digital temperature display, available with either °F or °C.
- Evaporator epoxy coated to eliminate the potential of corrosion.
- Curb mounting ready.
- NSF/ANSI Standard 7 compliant for open food product.

### ELECTRICAL

- Unit completely pre-wired at factory and ready for final connection to a 115/60/1 phase, 20 amp dedicated outlet. Cord and plug set included.

### OPTIONAL FEATURES/ ACCESSORIES

- (upcharge & lead times may apply)*
- 6" (153 mm) standard legs.
  - 6" (153 mm) seismic/flanged legs.
  - 6" (153 mm) stainless steel legs.
  - Field reversible hinge.
  - Additional shelves.
  - Stainless back. (STR, STA, STG)

### SHELVING KIT OPTIONS

- STR series kits factory installed at no charge. STA & STG series kits field installed, upcharge applies, lead times may apply.
- Kit #1: Nine (9) sets of #1 type tray slides and pilasters (field installed), bottom support of one (1) 18"L x 26"D (458 mm x 661 mm) pan or two (2) 14"L x 18"D (356 mm x 458 mm) pans.
- Kit #2: One (1) set half-section #2 steel rod tray slides and pilasters (field installed), rim support of one (1) 18"L x 26"D (458 mm x 661 mm) pan.
- Kit #3: Six (6) sets of universal type tray slides and pilasters (field installed), bottom support of one (1) 18"L x 26"D (458 mm x 661 mm) pan, two (2) 14"L x 18"D (356 mm x 458 mm) pans or two (2) 12"L x 20"D (305 mm x 508 mm) pans.
- Kit #4: Three (3) chrome shelves 26-5/16"L x 21-9/16"D (669 mm x 548 mm). Optional wall mounted shelf support pilasters (field installed) with four (4) shelf clips per shelf available; adjustable on 1/2" (13 mm) increments (must order at time of cabinet order).
- Additional kit option components available individually.

**5 YEAR PARTS** **5 YEAR LABOR** **7 YEAR COMPRESSOR**

**WARRANTY**  
(U.S.A. and Canada only)

METRIC DIMENSIONS ROUNDED UP TO THE NEAREST WHOLE MILLIMETER  
 SPECIFICATIONS SUBJECT TO CHANGE WITHOUT NOTICE



Model	Elevation	Right	Plan	3D	Back
ST( )3F-6HS-HC					