



Project _____

AIA# _____ SIS# _____

Item # _____ Quantity _____

MASTER SERIES

Full-Size Manual Gas Griddles

MASTER SERIES - Full-Size Manual Gas Griddles



Model CV-3

The images presented here are illustrative and may vary or not exactly match the physical product.



MODELS

CV-1 CV-3

CV-2 CV-4

STANDARD FEATURES

- External and internal sheet metal parts in stainless steel.
- 3/4" thick polished cold rolled steel plate, fully welded to frame to prevent grease collection.
- Stainless steel grease drawer.
- 21,000 Btu/h "U" type stainless steel burners each 12".
- Stainless steel tubing for pilots.
- Independent manual controls for each 12" section.
- Zamak die cast knobs with set screws.
- Gas pressure regulator.
- Stainless steel adjustable legs.
- CSA design certified, NSF listed.

DESCRIPTION

Coriat Master Series Full-Size Manual Gas Griddles are specially designed as central elements in regular kitchens or as auxiliary devices in very large kitchens. Discover the perfect way to prepare a wide variety of popular meals, such as burgers, fried eggs, pancakes, sausages and bacon strips.

ACCESSORIES

Equipment Stand Size

11 1/2" 34 1/2"

23" 46 1/2"

SPECIFY TYPE OF GAS WHEN ORDERING

Natural Gas

Propane

SPECIFY ALTITUD

Above 2,000 ft

Approved by _____ Date _____ Approved by _____ Date _____

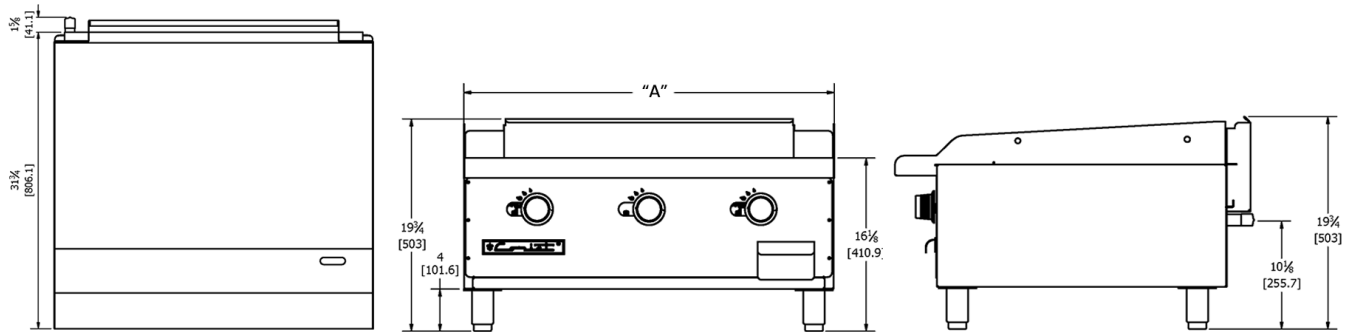


MASTER SERIES

Full-Size Manual Gas Griddles

CLEARANCE AND POSITIONING REQUIREMENTS

This product must be installed on a non-combustible surface only, with a minimum of 6" from all sides. There must be a clearance of at least 6" from another appliance. This unit is supplied with 4 legs and must be placed on a resistant non-slip surface.



Model	Width (A)	Depth	Overall Height	Working Height	Working Area	Burners	BTU/HR	Shipping Weight (Lbs/Kg)
CV-1	11 5/8"	31 3/4"	19 3/4"	16 1/2"	11 3/8" x 22"	1	21,000	141/64
CV-2	23 1/4"	31 3/4"	19 3/4"	16 1/2"	23" x 22"	2	42,000	201/91
CV-3	34 5/8"	31 3/4"	19 3/4"	16 1/2"	34 1/2" x 22"	3	63,000	295/134
CV-4	46 1/2"	31 3/4"	19 3/4"	16 1/2"	45 7/8" x 22"	4	84,000	366/166

Constant improvement in all our processes is a Coriat value, therefore some specifications are subject to change without notice.

Approved by _____ Date _____ Approved by _____ Date _____