

# WARING COMMERCIAL®

Xtreme Blenders with 4 Reprogrammable Beverage Stations and a 64 oz. Stackable Raptor Container

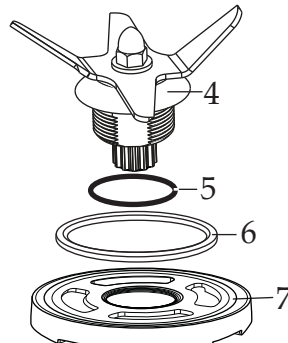
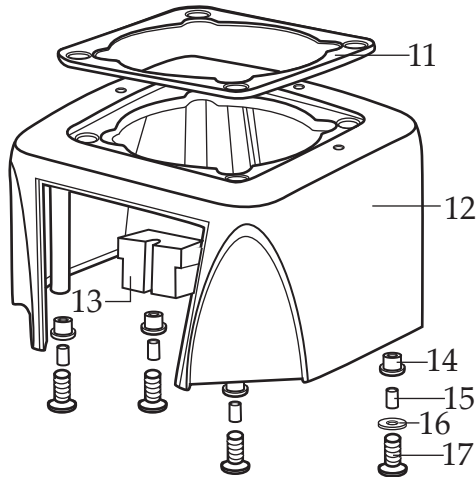
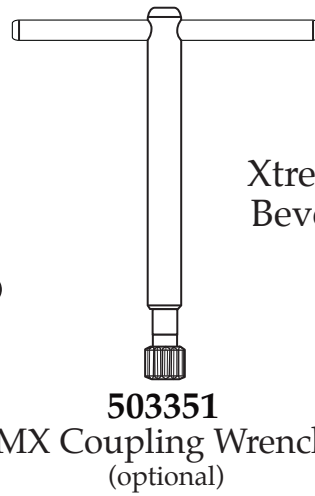
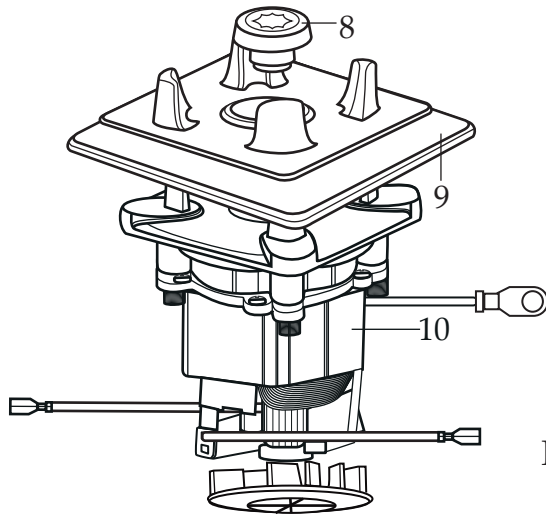
## MX1300XTX

## MX1500XTX

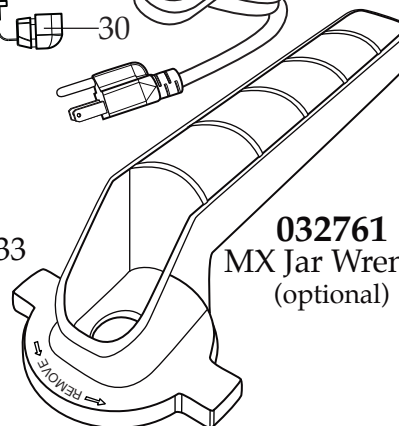
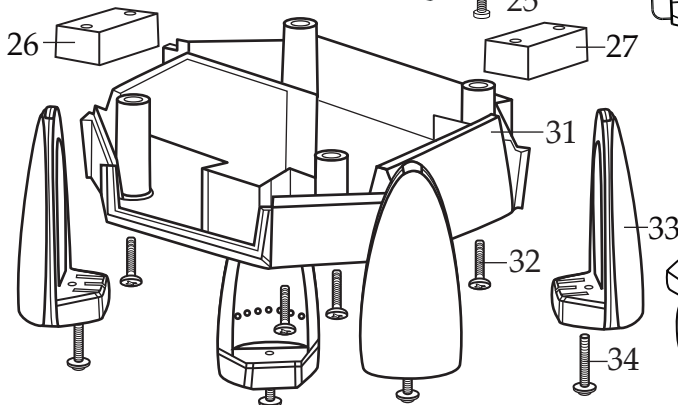
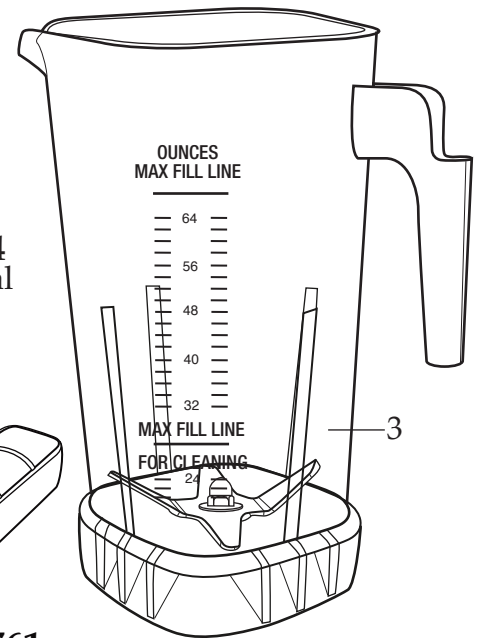
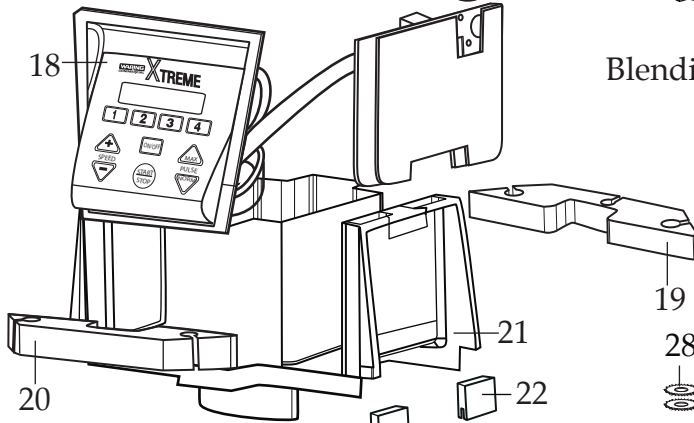
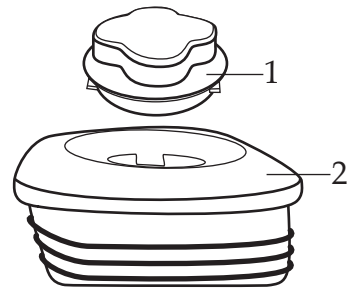
comes with Sound Enclosure

### Unit Information

Limited 3 Year Motor Warranty  
Two Year Parts & Labor  
60Hz – 13 Amps – 3.5 HP Motor  
RPM's Maximum 30,000  
Minimum 5,000  
Height 21" – Weight 18 lbs.  
One Piece Dishwasher Safe  
Removable Jar Pad



**030889**  
Blending Assembly Kit



Catalog	Model
MX1300XTX	MX1300XT41
MX1500XTX	MX1500XT42



Illustration#	Part#	Description
1	026425-E	Jar Lid Cover
2	026424-V	Vinyl Jar Lid <i>(changed after 12/3/2012)</i>
3	503326	64 oz. Stackable Raptor Container ONLY
	503398	64 oz. Stackable Raptor Container with Blending Assembly <i>(on units after 1/28/2011)</i>
	503350	64 oz. Stackable Container with Blending Assembly
4	503397	Blade Assembly <i>(changed after 1/28/2011)</i>
5	024271	Bearing Holder O Ring
6	024268	Nut Gasket
7	029631	Bearing Holder Nut
8	028538	Drive Coupling
9	026442	Jar Pad (no sound enclosure)
10	035397	Leili Motor with Sensor <i>(on units after 9/1/2017)</i>
	028101	ECM Motor with Sensor
11	026437	Dampening Plate Gasket
12	028032-09	Black Top Housing
13	028541	Motor Foam (2 required)
14	026439	Dampening Plate Bushing (4 required)
15	026453	Dampening Plate Sleeve (4 required)
16	026459	Washer
17	028929	Sems (4 required)
18	036922	Control Panel with Interlock <i>(on units after 7/16/2019)</i>
	035610	5% Low Control Panel <i>(on units after 9/29/2017 use 036922)</i>
	029812	Soft Start Control Panel <i>(changed after 3/16/2012)</i>
19	028248	Top Housing Rear Foam Baffle
20	028249	Top Housing Front Foam Baffle
21	036814	Motor Housing 2.78" <i>(on units after 7/16/2019)</i>
	028240-67	Motor Housing <i>(on units after 9/1/2017)</i>
	028240	Motor Housing
22	034900	PCB Cushions (2 required <i>on units after 7/16/2019</i> )
23	037232	Neoprene Washer <i>(on units after 7/16/2019)</i>
24	037007	PCB Mounting Bracket <i>(on units after 7/16/2019)</i>
25	013768	Screw <i>(on units after 7/16/2019)</i>

Catalog	Model
MX1300XTX	MX1300XT41
MX1500XTX	MX1500XT42

**Waring Factory Service Center**  
**314 Ella T. Grasso Ave.**  
**Torrington, CT 06790**  
**Tele. 1-800-269-6640**

**Waring Commercial**  
**Fax 860-496-9017**  
**www.waringcommercialproducts.com**

Illustration #	Part #	Description
26	028247	Bottom Housing Foam Baffle
27	028542	Foam Baffle
28	002943	Washer (2 required)
29	026925	Cord Set
30	007556	Strain Relief
31	028241-09-X	Black Bottom Housing
32	012505	Screw (4 required)
33	026430	Corner Post (4 required)
34	028928	Sems (4 required)

