



Project _____

AIA# _____ SIS# _____

Item # _____ Quantity _____

PETIT SERIES

Turbo Gas Fryers



Model TURBO 10-2Q

The images presented here are illustrative and may vary or not exactly match the physical product.



MODELS

- TURBO 6.5-1Q TURBO 17-4Q
- TURBO 10-2Q TURBO 19-5Q
- TURBO 12.5-3Q

STANDARD FEATURES

- External and internal sheet metal parts in stainless steel.
- 16 gauge stainless steel tank.
- Cold zone that extends oil life.
- Nickel plated baskets with plastic coated handles.
- 22,000 Btu/h cast burners.
- Snap action thermostat, 212 - 400°F (100 - 204°C) temperature range.
- Safety millivolt valve.
- Automatic high temperature limit control, calibrated to 450°F (232°C).
- 1" Ø ball type drain valve.
- Gas pressure regulator.
- Stainless steel adjustable legs.
- CSA design certified, NSF listed.

PETIT SERIES - Turbo Gas Fryers

DESCRIPTION

Coriat Petit Series Turbo Gas Fryers are specially designed for very small-scale kitchens, such as food trucks, fast food kiosks and cafeterias. They are perfect for moderate volume production of french fries, onion rings, tenders, wings and seafood.

SPECIFY TYPE OF GAS WHEN ORDERING

- Natural Gas
- Propane

SPECIFY ALTITUDE

Above 2,000 ft

Approved by _____ Date _____ Approved by _____ Date _____

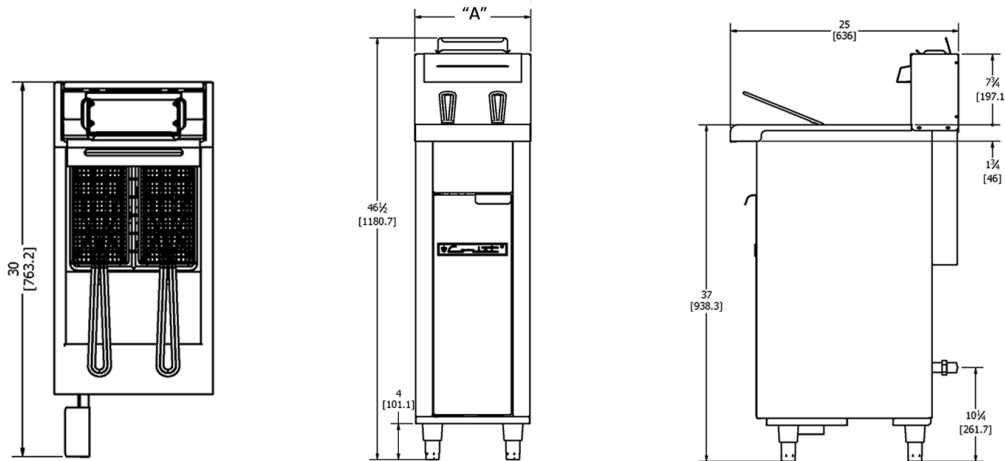


PETIT SERIES

Turbo Gas Fryers

CLEARANCE AND POSITIONING REQUIREMENTS

This product must be installed on a non-combustible surface only, with a minimum of 6" from all sides. There must be a clearance of at least 6" from another appliance. This unit is supplied with 4 legs and must be placed on a resistant non-slip surface.



Model	Width (A)	Depth	Overall Height	Working Height	Tank Size	Fry Capacity (lbs)	BTU/HR	Shipping Weight (Lbs/Kg)
TURBO 6.5-1Q	12 3/4"	25"	46 1/2"	37"	7" x 9"	15	30,000	115/52
TURBO 10-2Q	12 3/4"	25"	46 1/2"	37"	10 7/8" x 9"	25	60,000	128/58
TURBO 12.5-3Q	15 7/8"	25"	46 1/2"	37"	14" x 9"	30	90,000	152/69
TURBO 17-4Q	19 1/8"	25"	46 1/2"	37"	17 1/8" x 9"	35	120,000	174/79
TURBO 19-5Q	22 1/4"	25"	46 1/2"	37"	20 3/8" x 9"	40	150,000	196/89

Constant improvement in all our processes is a Coriat value, therefore some specifications are subject to change without notice.

Approved by _____ Date _____ Approved by _____ Date _____