

# ICB Twin, 120/240V SST Tall

Height: 35.0" Width: 20.2" Depth: 22.3"  
(88.9cm) (51.3cm) (56.6cm)



- Sleek modernized design language, with rounded angles on the corners and trunk
- Brews into 3.8 and 5.7L (1 to 1.5 gallon) Thermofresh Servers (with base)
- Digital readout displays in English, Spanish, or French ---for easier programming and control--- and can show either 'Standard' or Metric measurements. Digital readout also shows machine status, and targeted advertising messages can be programmed for display.
- Large 5.6 gallon (21.2L) tank provides back-to-back brewing capacity
- BUNN Infusion Series technology allows for multiple recipes from one footprint --- with three brew buttons and two batch sizes
- Energy-saver mode reduces tank temperature during idle periods
- The exclusive Peak Extraction® Sprayhead provides improved uniformity of extraction and greater resistance to limescale buildup.
- Electronic funnel lock prevents removal of each brew funnel until drip- through is complete
- USB programming capable
- Brew counter keeps track of how many batches are brewed
- Pre-infusion and pulse brew for maximum flavor extraction. Cold brew lockout & digital temperature control further ensure top-notch brewing.
- Hot water faucet (supplied for custom installation)

Server(s) sold separately

Agency:



## Specifications

**Product #:** 53200.0101

**Water Access:** Plumbed

**Interface:** Wireless

**Funnel:** Black Plastic

## Additional Features

## Electrical & Capacity

Volts*	Amps	Watts	Cord Attached	Plug Type	8oz cups/hr 236ml cups/hr	Input H <sub>2</sub> O Temp.	Phase	# Wires plus Ground	Hertz
120/240	25	6000	Yes/	-	280	60°F (15.5°C)	1	3	60

\*When a BUNN is machine rated 120/208-240V, 120/208V or 120/240V, the higher voltage is the supply voltage needed to power the machine. The 120V is there to supply power to some components rated 120V in the machine, but it is not the supply voltage and would not power the machine if the machine is marked with the before mentioned ratings.

## Plumbing Requirements

PSI	kPa	Fitting Supplied	Water Flow Required (GPM)
20-90	138-621	3/8" Male Flare Fitting	1.00

## CAD Drawings

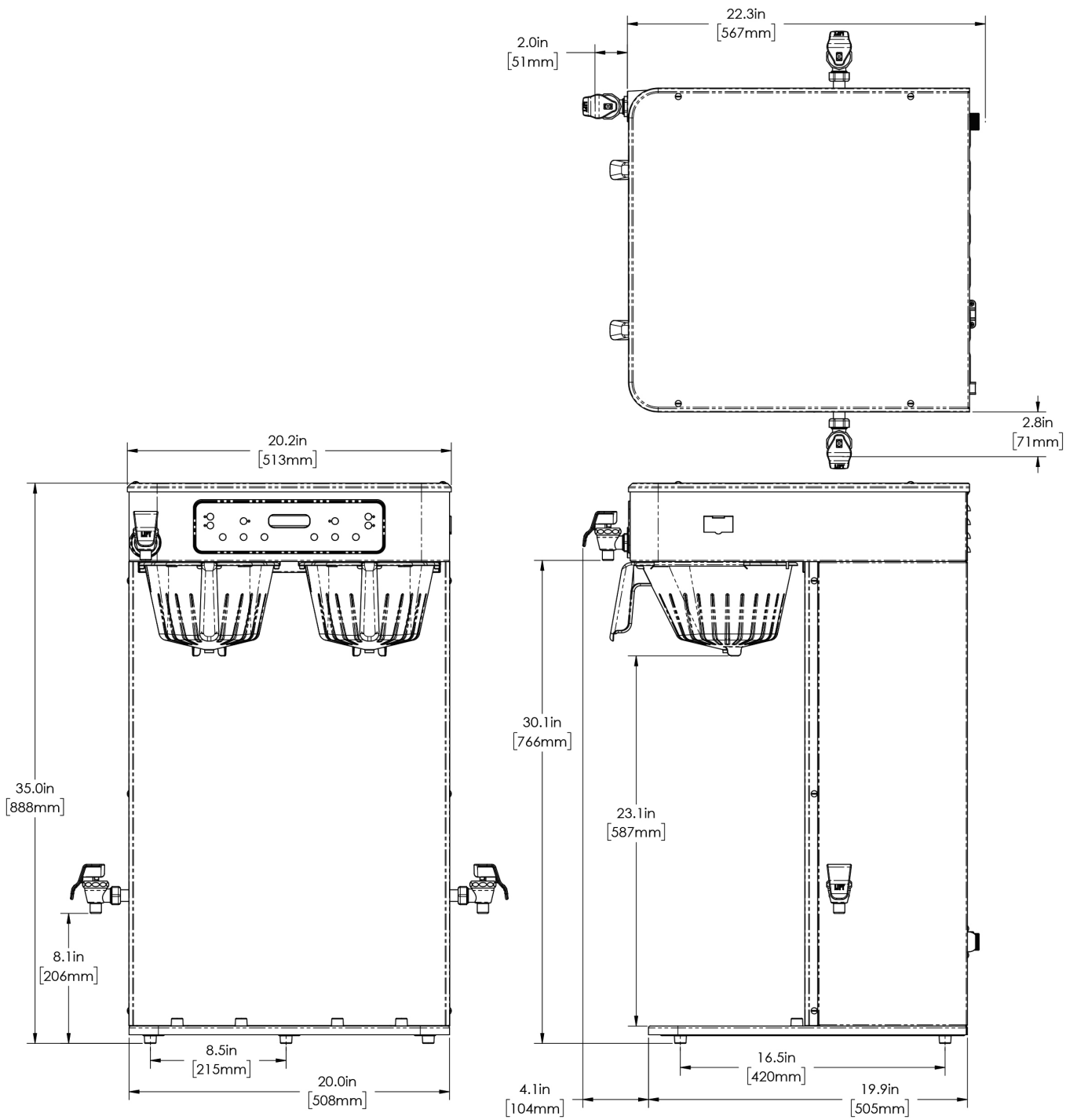
2D	Revit	KLC
●	●	●

**WARNING:**



BUNN® reserves the right to change specifications and product design without notice. Such revisions do not entitle the buyer to corresponding changes, improvements, additions or replacements for previously purchased equipment. For most current specifications and other info visit [bunn.com](http://bunn.com).

Last Updated:  
03/30/2023



	Unit			Shipping				
	Height	Width	Depth	Height	Width	Depth	Weight	Volume
English	35.0 in.	20.2 in.	22.3 in.	38.3 in.	23.8 in.	28.4 in.	78.460 lbs	14.917 ft³
Metric	88.9 cm	51.3 cm	56.6 cm	97.2 cm	60.3 cm	72.1 cm	35.589 kgs	0.422 m³



BUNN® reserves the right to change specifications and product design without notice. Such revisions do not entitle the buyer to corresponding changes, improvements, additions or replacements for previously purchased equipment. For most current specifications and other info visit [bunn.com](http://bunn.com).

Last Updated:  
03/30/2023

# Related Products & Accessories: ICB Twin, 120/240V SST Tall(53200.0101)



FILTERS, GOURMET 500  
500/1 50/CL

Product #: 20138.1000



WATER FILTER,  
EQHP-10L

Product #: 39000.0001



WATER FILTER,  
EQHP-10

Product #: 39000.0004



FUNNEL ASSY, SMART  
COFFEE BLK-CLEARED

Product #: 53463.0021

FUNNEL ASSY, SMART  
COFFEE BLK-CLEARED

Product #: 53463.0038



SYSTEM, WQ-55(2)5L

Product #: 56000.0001



SYSTEM, WQ-55(2)5

Product #: 56000.0004



SYSTEM, WEQ-10(1.5)5L

Product #: 56000.0024



SYSTEM, WEQ-10(1.5)5

Product #: 56000.0027



CARTRIDGE, WQ-55(2)5L

Product #: 56000.0101



CARTRIDGE, WQ-55(2)5

Product #: 56000.0104



CARTRIDGE, WEQ-10  
(1.5)5L

Product #: 56000.0121



CARTRIDGE, WEQ-10  
(1.5)5

Product #: 56000.0122



BUNN® reserves the right to change specifications and product design without notice. Such revisions do not entitle the buyer to corresponding changes, improvements, additions or replacements for previously purchased equipment. For most current specifications and other info visit [bunn.com](http://bunn.com).

Last Updated:  
03/30/2023

# Serving & Holding Options: ICB Twin, 120/240V SST Tall(53200.0101)



TF SERVER, 1G DSG  
GEN3

Product #:42700.0200



TF SERVER, 1.5G DSG  
GEN3

Product #:42750.0200



TF SERVER, 1G MECH  
GEN3

Product #:44000.0200



TF SERVER, 1.5G MECH  
GEN3

Product #:44050.0200

STAND ASSY, TF  
SERVER

Product #:54473.0000



STAND ASSY KIT, TF  
SERVER

Product #:54473.1000



BUNN® reserves the right to change specifications and product design without notice. Such revisions do not entitle the buyer to corresponding changes, improvements, additions or replacements for previously purchased equipment. For most current specifications and other info visit [bunn.com](http://bunn.com).

Last Updated:  
03/30/2023