

# ONNERA GROUP

## DESPIECE TECNICO TECHNICAL PARTS

LAVA-VASOS  
GLASS-WASHERS

### MODELOS / MODELS

G-OEM-350 / B / DD / UK / SA  
G-OEM-400 / B / DD / UK / SA

50Hz/60Hz

**Vers.**  
**Revised**

February 2018  
September 2020

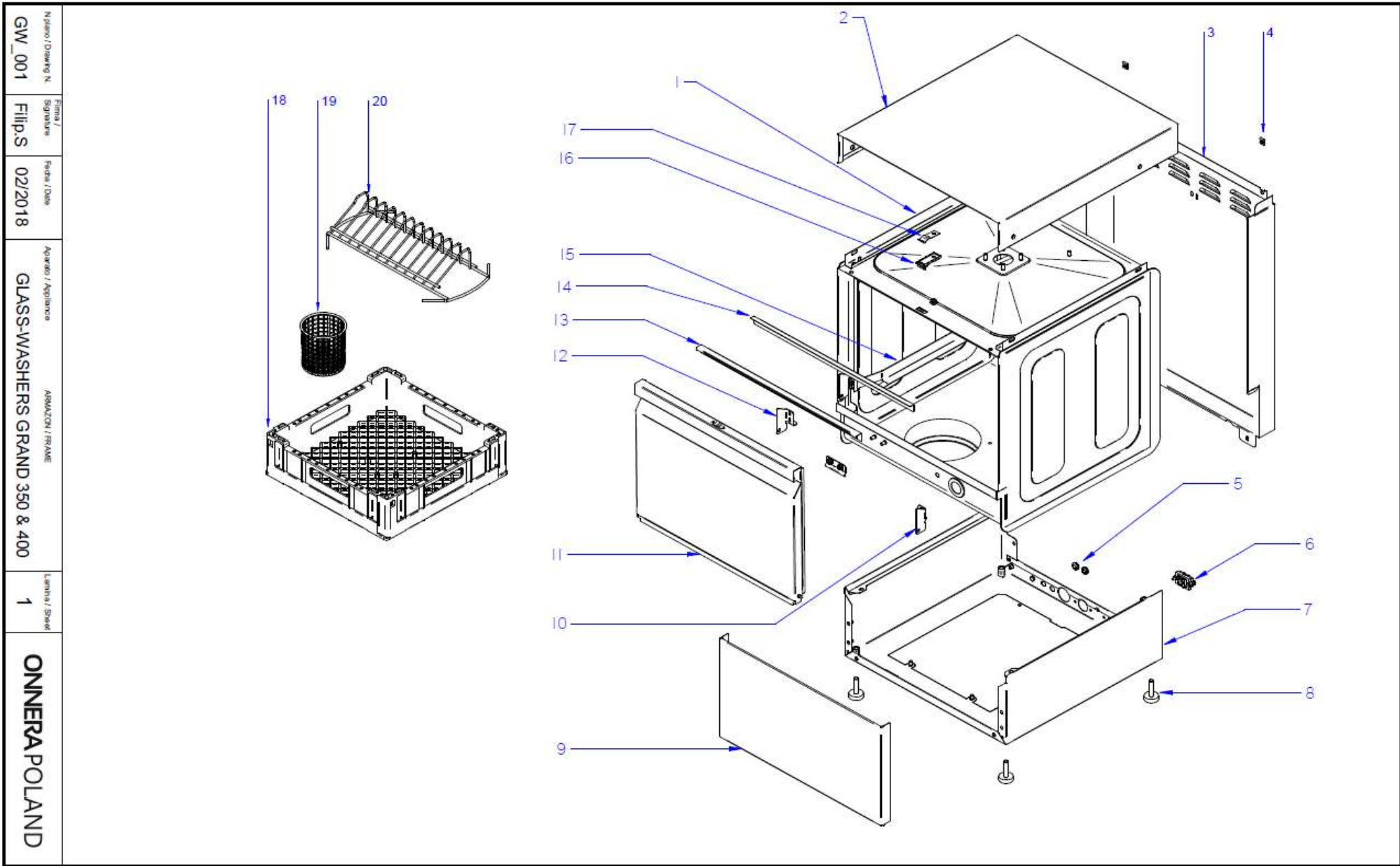
## MODEL-DRAWING RELATION

MODEL	GW_001	GW_002	GW_003	GW_004	GW_005	GW_007
	Structure	Wash Functional Part	Gravity Drain	Drain Pump	Rinsing Functional Part	Electric Functional Part
G-OEM-350	X	X	X		X	X
G-OEM-350 DD	X	X	X		X	X
G-OEM-350 B	X	X		X	X	X
G-OEM-35 B DD	X	X		X	X	X
G-OEM-350 SA	X	X	X		X	X
G-OEM-350 DD SA	X	X	X		X	X
G-OEM-350 B SA	X	X		X	X	X
G-OEM-350 B DD SA	X	X		X	X	X
G-OEM-350 UK	X	X	X		X	X
G-OEM-350 DD UK	X	X	X		X	X
G-OEM-350 B SA UK	X	X		X	X	X
G-OEM-35 B DD UK	X	X		X	X	X
G-OEM-350 SA UK	X	X	X		X	X
G-OEM-350 DD SA UK	X	X	X		X	X
G-OEM-350 B SA UK	X	X		X	X	X
G-OEM-350 B DD SA UK	X	X		X	X	X
G-OEM-400	X	X	X		X	X
G-OEM-400 DD	X	X	X		X	X
G-OEM-400 B	X	X		X	X	X
G-OEM-400 B DD	X	X		X	X	X
G-OEM-400 SA	X	X	X		X	X
G-OEM-400 DD SA	X	X	X		X	X
G-OEM-400 B SA	X	X		X	X	X
G-OEM-400 B DD SA	X	X		X	X	X
G-OEM-400 UK	X	X	X		X	X
G-OEM-400 DD UK	X	X	X		X	X
G-OEM-400 B SA UK	X	X		X	X	X
G-OEM-400 B DD UK	X	X		X	X	X
G-OEM-400 SA UK	X	X	X		X	X
G-OEM-400 DD SA UK	X	X	X		X	X
G-OEM-400 B SA UK	X	X		X	X	X
G-OEM-400 B DD SA UK	X	X		X	X	X

\* Si su modelo no esta en la lista de planos, escoga la descripcion mas cercana

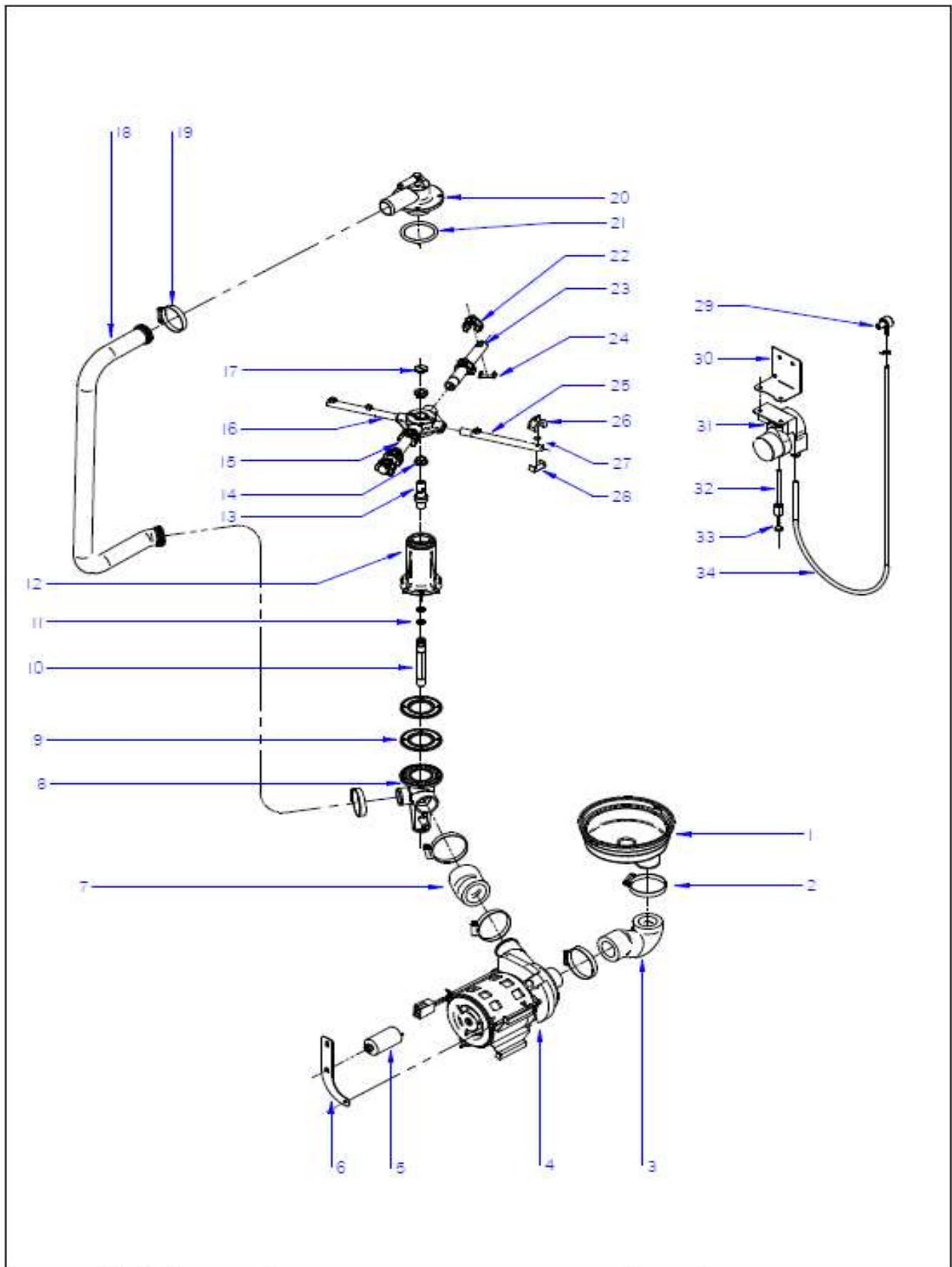
\* If your model does not appear in the list of drawings, choose the closest description

OPTIONS	DESCRIPCIÓN	DESCRIPTION
<b>B</b>	Bomba de desagüe	Drain Pump
<b>DD</b>	Dosificador de detergente	Detergent dispenser
<b>SA</b>	Ramas de lavado y aclarado en inoxidable	Stainless steel washing and rinsing arms
<b>UK</b>	Potencia de cuba y cable modificado para R.U	Modified Tank power and power cord for UK









N. plano / Drawing N.	Firma / Signature	Fecha / Date	Aparato / Appliance	PARTE FUNCIONAL LAVADO / WASHING FUNCTIONAL PART	Laminas / Sheet	<b>ONNERA POLAND</b>
GW-002	Aitor.U	02/2018	GLASS-WASHERS GRAND-350 & 400		2	

ZONA / ZONE	PARTE FUNCIONAL LAVADO / WASHING FUNCTIONAL PART	LAMINA / DRAWING	GW_002
-------------	--	------------------	--------

ITEM	REFERENCIA REFERENCE	DENOMINACIÓN	DENOMINATION	G-OEM-350	G-OEM-350 B	G-OEM-350 DD	G-OEM-350 B DD	G-OEM-350 SA	G-OEM-350 B SA	G-OEM-350 DD SA	G-OEM-350 B DD SA						RECOMMENDED	ELIMINADO ELIMINATED	INTRODUCIDO INTRODUCED	NOTAS NOTES
1	12023617	CUBETA_EVCO-21	Drainage Bowl GW	1	1	1	1	1	1	1	1									
S/N	12025195	ABRAZADERA CUBETA COMPLETA	Drainage Bowl Clamp GW	1	1	1	1	1	1	1	1									
2	12009962	ABRAZADERA 40-60	40-60 CLAMP	4	4	4	4	4	4	4	4									
3	12023670	CODO ASPIRACION	Wash Pump Inlet Pipe GW	1	1	1	1	1	1	1	1									
4	12023429	BOMBA LAVADO 50/60Hz 260 W	WASHIG 50/60Hz 260 W	1	1	1	1	1	1	1	1						X			
5	12024346	CONDENSADOR 10MF	10MF CAPACITOR	1	1	1	1	1	1	1	1						X			
6	12139529	SOPORTE BOMBA LAVADO 350	WASHIG PUMP HANGER 350	1	1	1	1	1	1	1	1									
7	12023607	CODO IMPULSION	Wash Pump Outlet Pipe GW	1	1	1	1	1	1	1	1									
8	12024703	PASAMUROS CESTO CUADRADO	Lower Outer Feedthrough GW	1	1	1	1	1	1	1	1									
9	12023533	JUNTA ESTANQUEIDAD	Bottom Feedthrough Gasket GW	2	2	2	2	2	2	2	2									
10	12023801	EMPALME ACLARADO	Rinsing Connector	1	1	1	1	1	1	1	1									
11	12009911	JUNTA TO.10.82X14.38X1.78	O-ring10,82x14,38x1,78	2	2	2	2	2	2	2	2									
12	12025133	SOPORTE INFER. CUADRO COM	Botton Feedthrough GW	1	1	1	1	1	1	1	1									
13	12025114	EJE_LAVAVASOS	Arm rotation central shaft GW	2	2	2	2	2	2	2	2									
14	12024086	CASQUILLO CRUCETA	Arm holder sleeve GW	4	4	4	4	4	4	4	4									
15	12019827	RAMA LAVADO A 350 INOX.	SS WASHING BRANCH A 350	-	-	-	-	2	2	2	2									
15	12024138	RAMA LAVADO A 350 PLÁSTICO	PLASTIC WASHING BRANCH A 350	2	2	2	2	-	-	-	-									
16	12020475	RAMA ACLARADO A 350 INOX.	SS RINSING BRANCH A 350	-	-	-	-	2	2	2	2									
16	12025253	RAMA ACLARADO A 350 PLÁSTICO	PLASTIC RINSING BRANCH A 350	2	2	2	2	-	-	-	-									
17	12009829	TORNILLO ESPECIAL M5X0.8	Screw special INOX M5X7MM	2	2	2	2	2	2	2	2									
18	12024059	ARBOL LAVADO 350	WASHING TREE 350	1	1	1	1	1	1	1	1									
19	12009986	ABRAZADERA 32-50L	Worm clamp 32-50mmL W2	2	2	2	2	2	2	2	2									
20	12023590	SOPORTE DISTRIBUIDOR SUPERIOR	Upper Feedthrough GW	1	1	1	1	1	1	1	1									
21	12010079	JUNTA TOR.50.17X60.83X5.3	O-RING 50,17x60,83x5,33	1	1	1	1	1	1	1	1									
22	12023732	TOBERA LAVADO	Washing Nozzle	10	10	10	10	10	10	10	10									
23	12020475	RAMA LAVADO B 350 INOX.	WASHING BRANCH B 350 SS	-	-	-	-	2	2	2	2									
23	12025251	RAMA LAVADO PLÁSTICO B 350	PLASTIC WASHING BRANCH B 350	2	2	2	2	-	-	-	-									
24	12023710	ENGANCHE TOBERA LAVADO	WASHING NOZZLE HOLDER	10	10	10	10	10	10	10	10									
25	12020476	RAMA ACLARADO B 350 INOX.	SS RINSING BRANCH B 350	-	-	-	-	2	2	2	2									
25	12024137	RAMA ACLARADO B 350	PLASTIC RINSING BRANCH B 350	2	2	2	2	-	-	-	-									



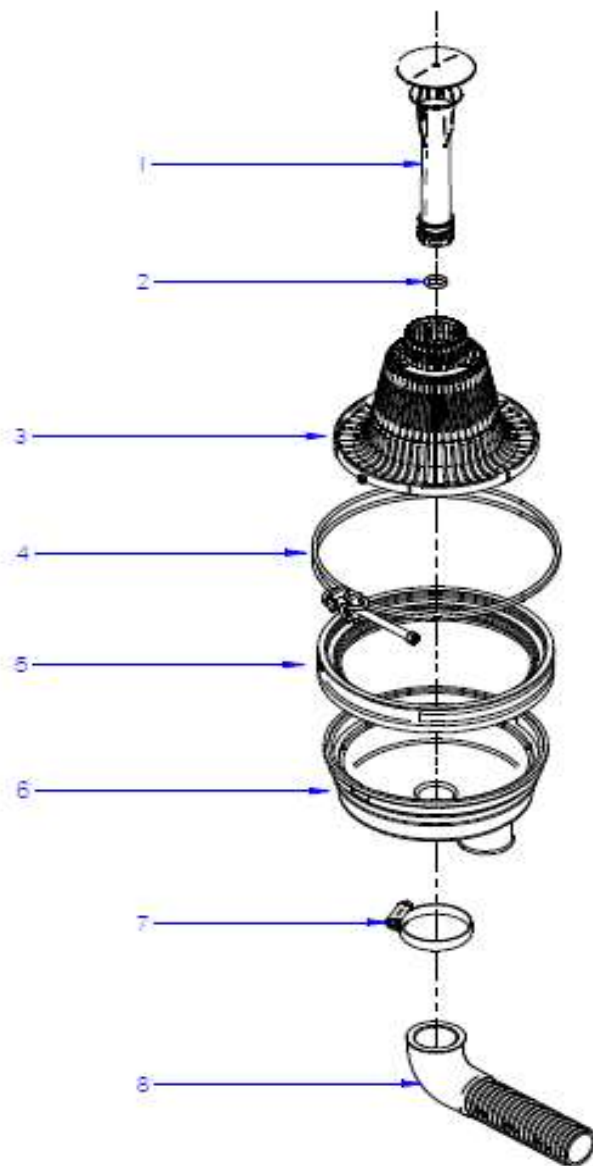


ZONA / ZONE	PARTE FUNCIONAL LAVADO / WASHING FUNCTIONAL PART
-------------	--

LAMINA / DRAWING	GW_002
------------------	--------

ITEM	REFERENCIA REFERENCE	DENOMINACIÓN	DENOMINATION	G-OEM-400	G-OEM-400 B	G-OEM-400 DD	G-OEM-400 B DD	G-OEM-400 SA	G-OEM-400 B SA	G-OEM-400 DD SA	G-OEM-400 B DD SA						RECOMMENDED	ELIMINADO ELIMINATED	INTRODUCIDO INTRODUCED	NOTAS NOTES
1	12023617	CUBETA_EVCO-21	Drainage Bowl GW	1	1	1	1	1	1	1	1									
	12025195	ABRAZADERA CUBETA COMPLETA	Drainage Bowl Clamp GW	1	1	1	1	1	1	1	1									
2	12009962	ABRAZADERA 40-60	40-60 CLAMP	4	4	4	4	4	4	4	4									
3	12023670	CODO ASPIRACION	Wash Pump Inlet Pipe GW	1	1	1	1	1	1	1	1									
4	12023429	BOMBA LAVADO 50/60Hz 260 W	WASHIG 50/60Hz 260 W	1	1	1	1	1	1	1	1						X			
5	12024346	CONDENSADOR 10MF	10MF CAPACITOR	1	1	1	1	1	1	1	1						X			
6	12140257	SOPORTE BOMBA LAVADO 400	WASHIG PUMP HANGER 400	1	1	1	1	1	1	1	1									
7	12023607	CODO IMPULSION	Wash Pump Outlet Pipe GW	1	1	1	1	1	1	1	1									
8	12024703	PASAMUROS CESTO CUADRADO	Lower Outer Feedthrough GW	1	1	1	1	1	1	1	1									
9	12023533	JUNTA ESTANQUEIDAD	Bottom Feedthrough Gasket GW	2	2	2	2	2	2	2	2									
10	12023801	EMPALME ACLARADO	Rinsing Connector	1	1	1	1	1	1	1	1									
11	12009911	JUNTA TO.10.82X14.38X1.78	O-ring10,82x14,38x1,78	2	2	2	2	2	2	2	2									
12	12025133	SOPORTE INFER. CUADRO COM	Botton Feedthrough GW	1	1	1	1	1	1	1	1									
13	12025114	EJE LAVAVASOS	Arm rotation central shaft GW	2	2	2	2	2	2	2	2									
14	12024086	CASQUILLO CRUCETA	Arm holder sleeve GW	4	4	4	4	4	4	4	4									
15	12022381	RAMA LAVADO A 400 INOX.	SS WASHING BRANCH A 400	-	-	-	-	2	2	2	2									
15	12126179	RAMA LAVADO A 400 PLÁSTICO	PLASTIC WASHING BRANCH A 400	2	2	2	2	-	-	-	-									
16	12022613	RAMA ACLARADO A 400 INOX.	SS RINSING BRANCH A 400	-	-	-	-	2	2	2	2									
16	12023526	RAMA ACLARADO A 400 PLÁSTICO	PLASTIC RINSING BRANCH A 400	2	2	2	2	-	-	-	-									
17	12009829	TORNILLO ESPECIAL M5X0.8	Screw special INOX M5X7MM	2	2	2	2	2	2	2	2									
18	12025154	ARBOL LAVADO 400	WASHING TREE 400	1	1	1	1	1	1	1	1									
19	12009986	ABRAZADERA 32-50L	Worm clamp 32-50mmL W2	2	2	2	2	2	2	2	2									
20	12023590	SOPORTE DISTRIBUIDOR SUPERIOR	Upper Feedthrough GW	1	1	1	1	1	1	1	1									
21	12010079	JUNTA TOR.50.17X60.83X5.3	O-RING 50,17x60,83x5,33	1	1	1	1	1	1	1	1									
22	12023732	TOBERA LAVADO	Washing Nozzle	12	12	12	12	12	12	12	12									
23	12022382	RAMA LAVADO B 400 INOX.	WASHING BRANCH B 400 SS	-	-	-	-	2	2	2	2									
23	12126198	RAMA LAVADO PLÁSTICO B 400	PLASTIC WASHING BRANCH B 400	2	2	2	2	-	-	-	-									
24	12023710	ENGANCHE TOBERA LAVADO	WASHING NOZZLE HOLDER	12	12	12	12	12	12	12	12									
25	12022710	RAMA ACLARADO B 400 INOX.	SS RINSING BRANCH B 400	-	-	-	-	2	2	2	2									
25	12023525	RAMA ACLARADO B 400	PLASTIC RINSING BRANCH B 400	2	2	2	2	-	-	-	-									



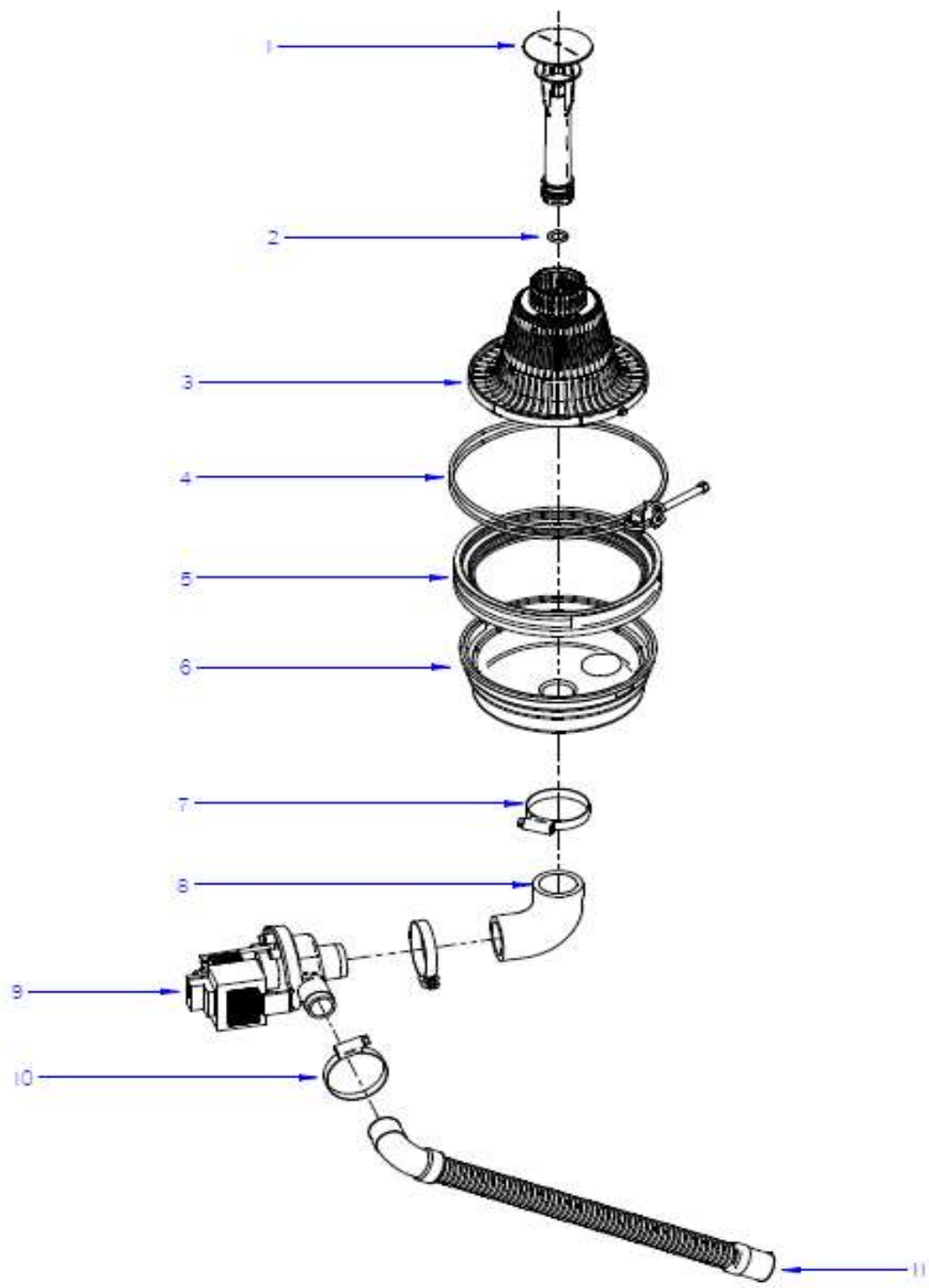


Drawing N.	Signature	Date	Devices:	GRAVITY DRAINAGE	Sheet
GW-03	Aitor U	02-2018		GLASSWASHERS GRAND-350 & 400	3

**ONNERA**POLAND





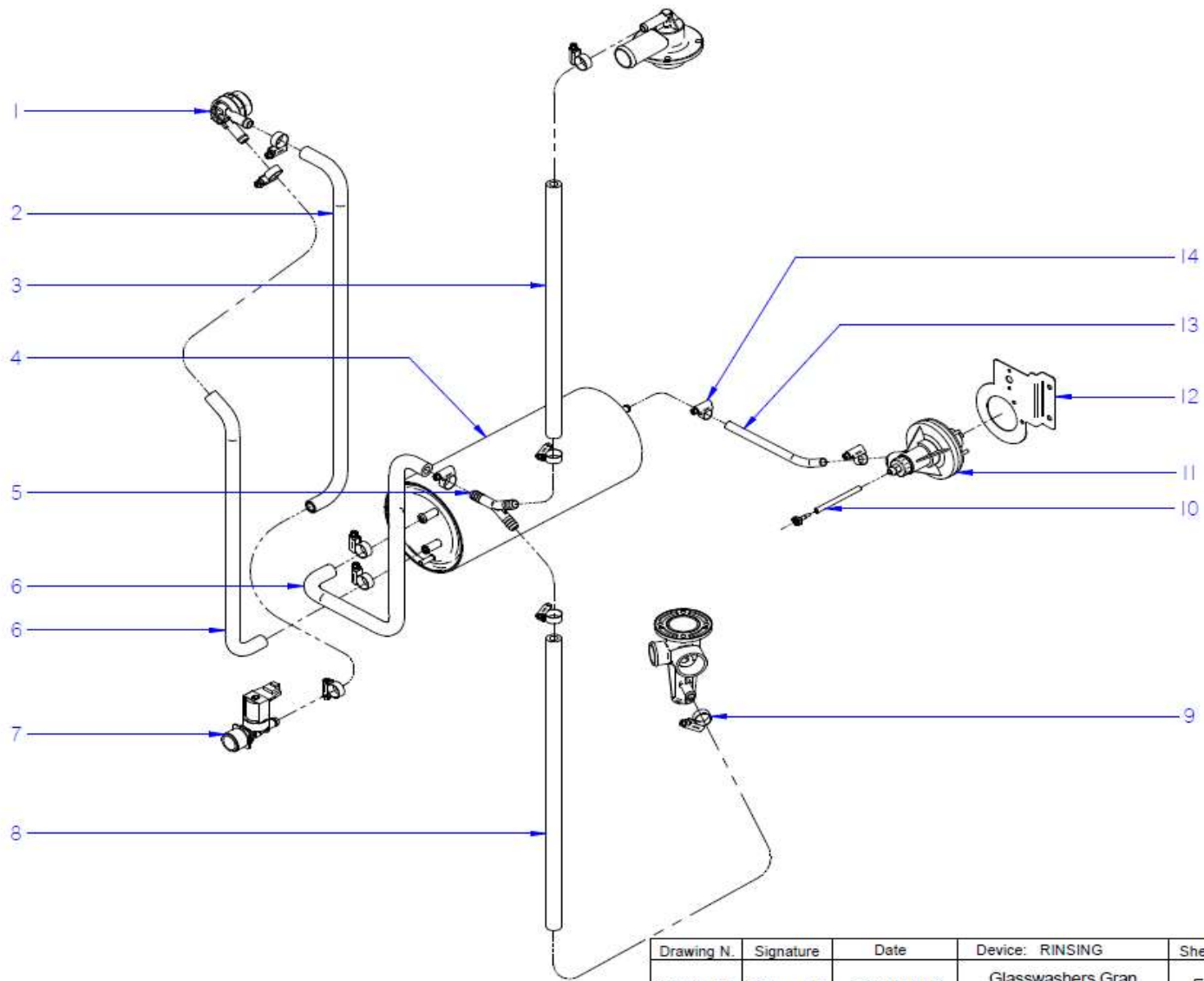


Drawing N.	Signature	Date	Device:	DRAINAGE BY PUMP	Layers / Sheet	<b>ONNERA POLAND</b>
GW-04	Aitor U	02-2018		GLASSWASHERS GRAND 350 & 400	4	





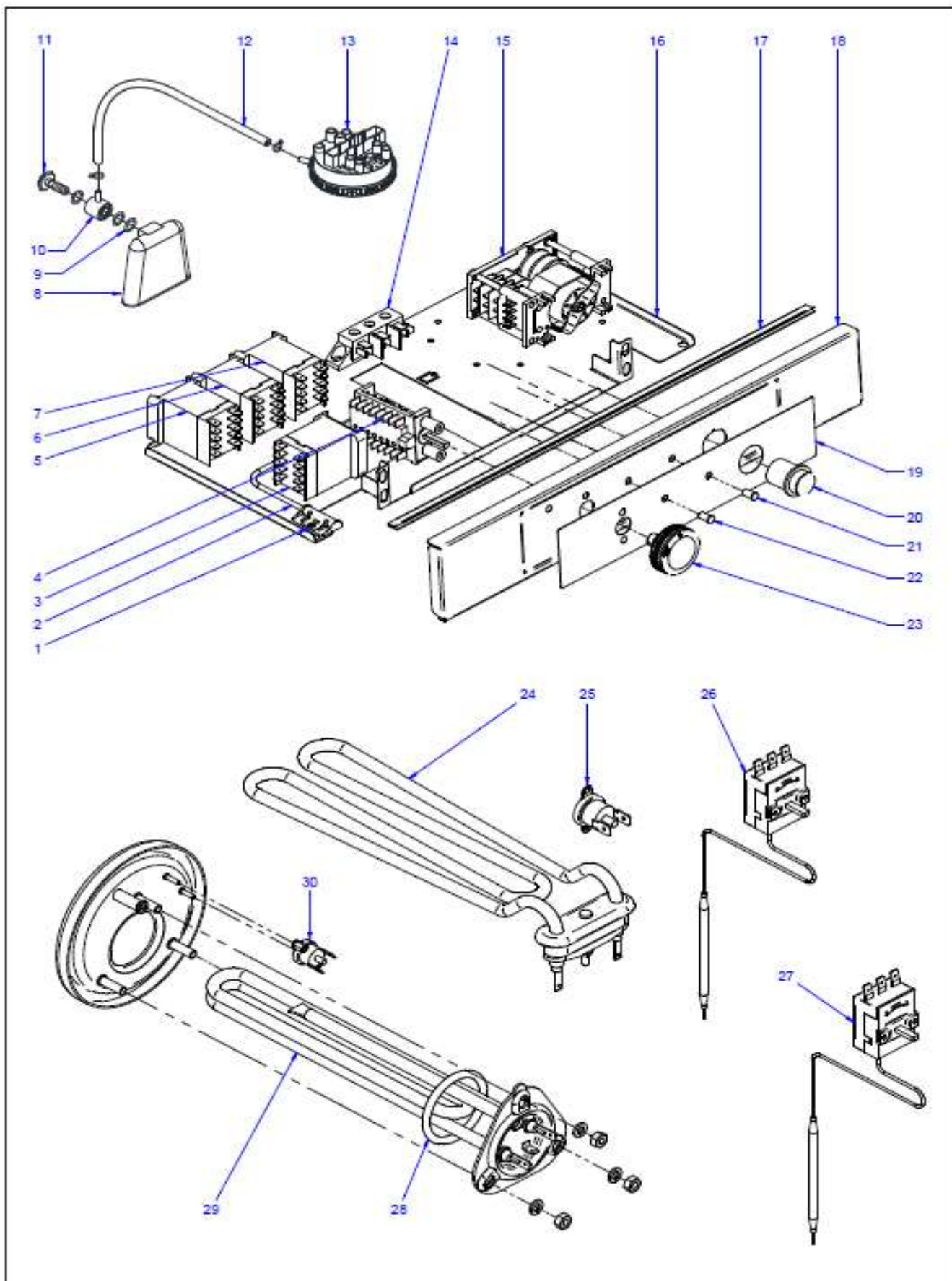




Drawing N.	Signature	Date	Device: RINSING	Sheet	ONNERA POLAND
GW-05	Aitor U.	02/2018	Glasswashers Gran 350&400	5.	







N. plano / Drawing N.	Firma / Signature	Fabrics / Date	Apparato / Appliance	ARMAZZONI / FRAME	Lamina / Sheet	<b>ONNERA POLAND</b>
GW_007	Filip.S	02/2019		GW EASY	1	

ZONA / ZONE	PARTE FUNCIONAL ELECTRICA/ ELECTRIC FUNCTIONAL PART
-------------	---

LÁMINA / DRAWING	GW_007
------------------	--------

ITEM	REFERENCIA REFERENCE	DENOMINACIÓN	DENOMINATION	G-OEM-350	G-OEM-350 B	G-OEM-350 DD	G-OEM-350 DD DD	G-OEM-350 UK	G-OEM-350 B UK	G-OEM-350 DD UK	G-OEM-350 B DD UK						RECOMMENDED	ELIMINADO ELIMINATED	INTRODUCIDO INTRODUCED	NOTAS NOTES	
1	12024477	INTERRUPTOR MAGNETICO	MAGNETIC SWITCH	1	1	1	1	1	1	1	1										
2	12024066	AMARRE INTERRUP. MAGNETICO	MAGNETIC SWITCH FASTENER	1	1	1	1	1	1	1	1										
3	12023706	RELE 230V. 16A 50-60 HZ	RELAY 230V. 16A 50-60 HZ	1	1	1	1	1	1	1	1						X				
4	12024445	CONMUTADOR DE FUNCIONES	FUNCTIONS SWITCH	1	1	1	1	1	1	1	1										
S/Nº	12024067	CASQUILLO	BUSHING	2	2	2	2	2	2	2	2										
5	12023706	RELE 230V. 16A 50-60 HZ	RELAY 230V. 16A 50-60 HZ	1	1	1	1	1	1	1	2						X				
6	12024011	CONTACTOR 230 V. 50-60 HZ 16A	CONTACTOR 230 V 50-60HZ 16A	1	1	1	1	1	1	1	1						X				
7	12024011	CONTACTOR 230 V. 50-60 HZ 16A	CONTACTOR 230 V 50-60HZ 16A	1	1	1	1	1	1	1	1						X				
8	12024350	CAMARA PRESOSTATO	PRESSURE SWITCH	1	1	1	1	1	1	1	1										
9	12009873	JUNTA TORICA 16.01X10.77X2.62	O-RING 16.01X10.77X2.62	2	2	2	2	2	2	2	2										
10	12024157	EMPALME PRESOSTATO	PRESSURE SWITCH CONNEX	1	1	1	1	1	1	1	1										
11	12024222	TORNILLO PRESOSTATO	PRESSURE SWITCH BOLT	1	1	1	1	1	1	1	1										
12	12149970	CONDUCTO PRESOSTATO	PRESOSTAT HOSE	1	1	1	1	1	1	1	1										
S/Nº	12023707	BRIDA ELASTICA TUBO	ELASTIC PIPE FLANGE	2	2	2	2	2	2	2	2										
13	12023803	PRESOSTATO SIMPLE 1.3-2.8 bar	1.3-2.8 bar SIMPLE PRESOSTAT	1	1	1	1	1	1	1	1						X				
14	12024382	REGLETA AUXILIAR 3 CONEXIONES	3 WAY ELECTRIC CONNECTOR	1	1	1	1	1	1	1	1										
15	12024873	PROGRAMADOR CICLO <b>50Hz</b>	CYCLE PROGRAMMER <b>50Hz</b>	1	1	1	1	1	1	1	1						X				
15	12024871	PROGRAMADOR CICLO <b>60Hz</b>	CYCLE PROGRAMMER <b>60 Hz</b>	1	1	1	1	1	1	1	1						X				
16	12223609	BASE COMPONENTES ELÉCTRICOS	ELECTRIC COMPONENT BASE	1	1	1	1	1	1	1	1										
17	12169876	BURLETE SELLADO TAPA 350	UC-350 LID SEALING PROFILE	1	1	1	1	1	1	1	1										
18	12188982	PANEL DE CONTROL	CONTROL PANEL	1	1	1	1	1	1	1	1							14/09/2020			
18	12256999	PANEL DE CONTROL	CONTROL PANEL	1	1	1	1	1	1	1	1								14/09/2020		8102102710
19	*	EMBELLECEDOR G-OEM 350	G-OEM-350 STICKER	1	1	1	1	1	1	1	1										Check Optionals
20	12169232	PULSADOR ARRANQUE PROGRAM.	PROGRAM START BUTTON	1	1	1	1	1	1	1	1						X	14/09/2020			
20	12266995	PULSADOR ARRANQUE PROGRAM.	PROGRAM START BUTTON	1	1	1	1	1	1	1	1								14/09/2020		8102102710
21	12169231	PILOTO LED VERDE	GREEN LED LIGHT	1	1	1	1	1	1	1	1						X				
22	12169230	PILOTO LED AZUL	BLUE LED LIGHT	1	1	1	1	1	1	1	1						X				
23	12168175	BOTON DE MANDO G-OEM 500	G-OEM-500 CONTROL KNOB	1	-	1	-	1	-	1	-										
23	12170488	BOTON DE MANDO G-OEM-500 B	G-OEM-500 B KNOB	-	1	-	1	-	1	-	1										
S/Nº	12024516	BURLETE MANDO	SWITCH JOINT	1	1	1	1	1	1	1	1										



ZONA / ZONE	PARTE FUNCIONAL ELECTRICA/ ELECTRIC FUNCTIONAL PART
-------------	---

LÁMINA / DRAWING	GW_007
------------------	--------

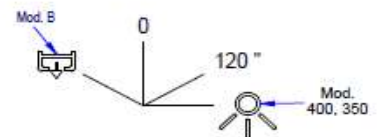
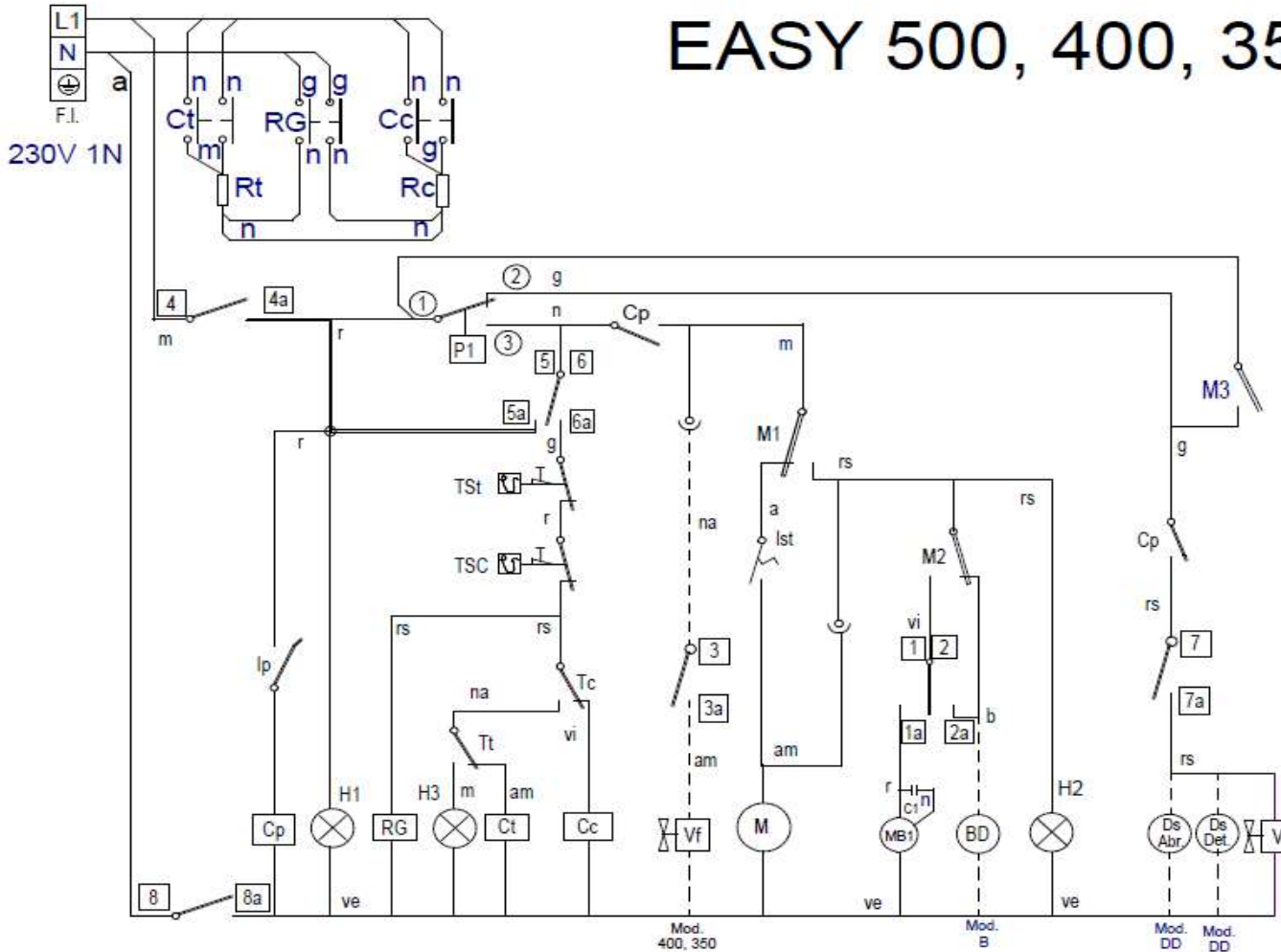
ITEM	REFERENCIA REFERENCE	DENOMINACIÓN	DENOMINATION	G-OEM-400	G-OEM-400 B	G-OEM-400 DD	G-OEM-400 B DD	G-OEM-400 UK	G-OEM-400 B UK	G-OEM-400 DD UK	G-OEM-400 B DD UK						RECOMMENDED	ELIMINADO ELIMINATED	INTRODUCIDO INTRODUCED	NOTAS NOTES
1	12024477	INTERRUPTOR MAGNETICO	MAGNETIC SWITCH	1	1	1	1	1	1	1	1									
2	12024066	AMARRE INTERRUP. MAGNETICO	MAGNETIC SWITCH FASTENER	1	1	1	1	1	1	1	1									
3	12023706	RELE 230V. 16A 50-60 HZ	RELAY 230V. 16A 50-60 HZ	1	1	1	1	1	1	1	1									
4	12024445	CONMUTADOR DE FUNCIONES	FUNCTIONS SWITCH	1	1	1	1	1	1	1	1									
S/Nº	12024067	CASQUILLO	BUSHING	2	2	2	2	2	2	2	2						X			
5	12023706	RELE 230V. 16A 50-60 HZ	RELAY 230V. 16A 50-60 HZ	1	1	1	1	1	1	1	2						X			
6	12024011	CONTACTOR 230 V. 50-60 HZ 16A	CONTACTOR 230 V 50-60HZ 16A	1	1	1	1	1	1	1	1						X			
7	12024011	CONTACTOR 230 V. 50-60 HZ 16A	CONTACTOR 230 V 50-60HZ 16A	1	1	1	1	1	1	1	1						X			
8	12024350	CAMARA PRESOSTATO	PRESSURE SWITCH	1	1	1	1	1	1	1	1									
9	12009873	JUNTA TORICA 16.01X10.77X2.62	O-RING 16.01X10.77X2.62	2	2	2	2	2	2	2	2									
10	12024157	EMPALME PRESOSTATO	PRESSURE SWITCH CONNEX	1	1	1	1	1	1	1	1									
11	12024222	TORNILLO PRESOSTATO	PRESSURE SWITCH BOLT	1	1	1	1	1	1	1	1									
12	12149970	CONDUCTO PRESOSTATO	PRESOSTAT HOSE	1	1	1	1	1	1	1	1									
S/Nº	12023707	BRIDA ELASTICA TUBO	ELASTIC PIPE FLANGE	2	2	2	2	2	2	2	2									
13	12023803	PRESOSTATO SIMPLE 1.3-2.8 bar	1.3-2.8 bar SIMPLE PRESOSTAT	1	1	1	1	1	1	1	1						X			
14	12024382	REGLETA AUXILIAR 3 CONEXIONES	3 WAY ELECTRIC CONNECTOR	1	1	1	1	1	1	1	1									
15	12024873	PROGRAMADOR CICLO 50Hz	CYCLE PROGRAMMER 50Hz	1	1	1	1	1	1	1	1						X			
15	12024871	PROGRAMADOR CICLO 60Hz	CYCLE PROGRAMMER 60 Hz	1	1	1	1	1	1	1	1						X			
16	12223608	BASE COMPONENTES ELÉCTRICOS	ELECTRIC COMPONENT BASE	1	1	1	1	1	1	1	1									
17	12169877	BURLETE SELLADO TAPA 400	UC-400 LID SEALING PROFILE	1	1	1	1	1	1	1	1									
18	12187948	PANEL DE CONTROL 400	CONTROL PANEL 400	1	1	1	1	1	1	1	1							14/09/2020		
18	12257053	PANEL DE CONTROL 400	CONTROL PANEL 400	1	1	1	1	1	1	1	1								14/09/2020	8102102710
19	*	EMBELLECEDOR G-OEM 350	G-OEM-350 STICKER	1	1	1	1	1	1	1	1									Check optionals
20	12169232	PULSADOR ARRANQUE PROGRAM.	PROGRAM START BUTTON	1	1	1	1	1	1	1	1						X	14/09/2020		
20	12266995	PULSADOR ARRANQUE PROGRAM.	PROGRAM START BUTTON	1	1	1	1	1	1	1	1								14/09/2020	8102102710
21	12169231	PILOTO LED VERDE	GREEN LED LIGHT	1	1	1	1	1	1	1	1						X			
22	12169230	PILOTO LED AZUL	BLUE LED LIGHT	1	1	1	1	1	1	1	1						X			
23	12170486	BOTON DE MANDO G-OEM 400	G-OEM-400 CONTROL KNOB	1		1		1		1										
23	12170487	BOTON DE MANDO G-OEM-400 B	G-OEM-400 B KNOB		1		1		1		1									
S/Nº	12024516	BURLETE MANDO	SWITCH JOINT	1	1	1	1	1	1	1	1									



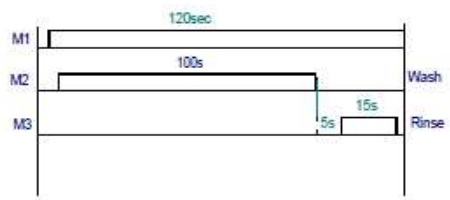




# EASY 500, 400, 350, B, DD



IG	1 1a	2 2a	3 3a	4 4a	5 5a	6 6a	7 7a	8 8a
⌋		X		X	X			X
0								
120	X			X		X	X	X
⌋	X		X	X		X	X	X

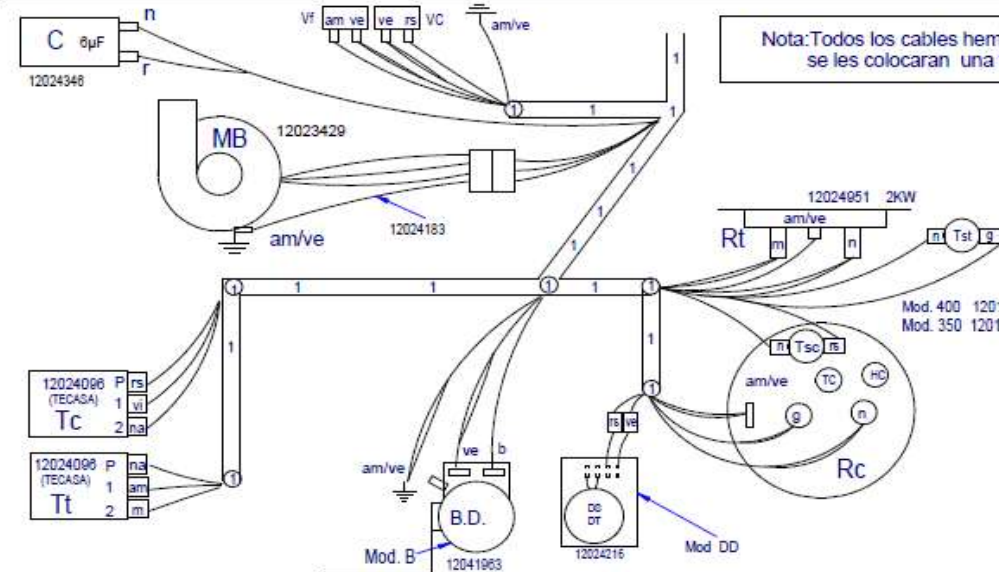
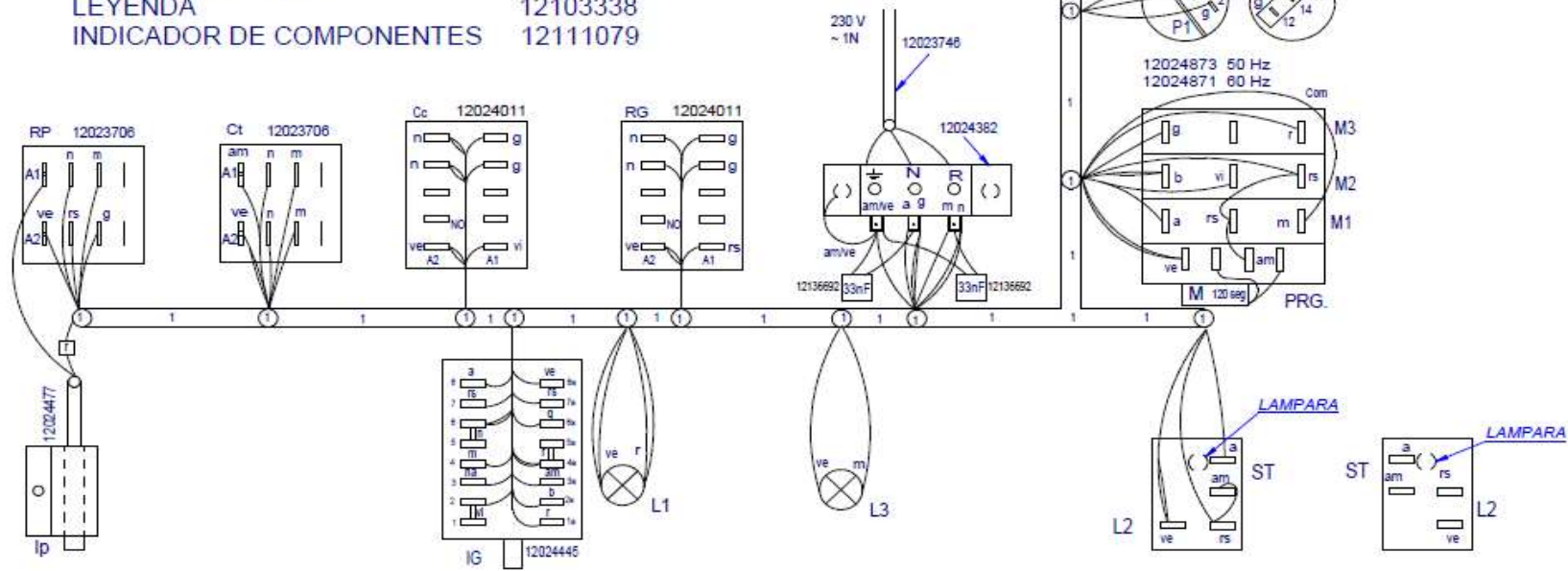


12130648

- Esquema Teorico EASY 500				- 12130648				
Nº	TITLE			QTY	CODE	MATERIAL	TREATMENT	
GENERAL TOLERANCES				ISO 2768-1 Very Coarse				
TOLERANCES	Dev	±0.20	±0.10	±0.10	MATERIAL	LAVAVAJILLAS	SHEET FORMAT:	
	Long	±0.20	±0.10	±0.20			A3	
	R. Hole	±0.10	±0.20	±0.20			DESIGN CENTER:	
	Ø Hole	±0.10	±0.20	±0.20			ONA	
	Ø Hole	±0.10	±0.20	±0.20			MAT STATUS:	
Ø Hole	±0.20	±0.20	±0.20	DESIGNED BY:	VALIDATED BY:	DATE:	SHEET:	
Ø Hole	±0.20	±0.20	±0.20	M.MAILLO	A.G.	08.11.2015	1 / 1	
GENERAL TOLERANCES FOR FORM AND FINISH				ISO 2768-2				SCALE:
12130648				REVISION	PROPOSED BY:	M.MAILLO	ISSUE DATE:	

ONNERA GROUP

ESQUEMA TEORICO 12130648  
 LEYENDA 12103338  
 INDICADOR DE COMPONENTES 12111079



# Montaje Easy 400

Nº		Montaje lavavasos Easy 400		12136918		MATERIAL		TREATMENT	
GENERAL TOLERANCES:		ISO 2765-1		Very Coarse		SHEET FORMAT:		A3	
DESIGN CENTER:		ONNERA GROUP		DESIGNED BY:		M. MAILLO		A. G.	
MATERIAL STATUS:		LAVAVAJILLAS		VALIDATED BY:		DATE:		02.05.2016	
DOC STATUS:		12136918		SHEET:		1 / 1		SCALE:	
PROPOSED BY:		M. MAILLO		ISSUE DATE:					

	ESPAÑOL	ENGLISH	FRANÇAIS	DUTSCH	ITALIANO	PORTUGUES
	Tierra de protección	Grounding	Mise à terre	toma de tierra? Erdung	Messa a terra	
P	Puente de Conexión	Terminal block bridge	Pontage pour bloc de jonction	Verbindungsblockanschluss	Ponte di connessione	
BA	Bomba Aclarado	Rinse pump	Pompe de rinçage	Spülmittel dosierpumpe	Pompa di risciacquo	
BD	Bomba desague	Drain pump	Pompe de vidange	Abflulpumpe	Pompa scarico	
C, C1, C2	Condensador	Capacitor	Condensateur	kondensator	Condensatore	
CMB	Contactora bomba lavado	Wash pump contactor	Contacteur pompe de lavage	Türrelais	Contactore pompa lavaggio	
Cc	Contactora calentamiento calderin	Boiler heating contactor	Contacteur chauffage surchauffeur	Kontaktschutz Waschpumpe	Contactore riscaldamento boiler	
Ct	Contactora calentamiento tanque	Tank heating contactor	Contacteur chauffage cuve	Kontaktschutz Boilerheizung	Contactore riscaldamento serbatoio	
CP	Relé puerta	Door relay	Relais de porte	Kontaktschutz Heizung tank	Relè porta	
Da, Abr	Dosificador Abrilantador	Dispenser	Distributeur	Klenspülmittel dosierpumpe	Dosatore brillatante	
Da, Det.	Dosificador Detergente	Detergent dispenser	Distributeur de détergent	Dosierer Spülmittel	Dosatore detergente	
F	Fusible	Fuse	Fusible	Fuse	Fusibile	
H1	Lampara encendido	Operation light	Voyant fonctionnement	Betriebsanzeigelampe	Spia accensione	
H2, H5	Lampara de marcha	Start light	Voyant démarrage	Startanzeigelampe	Spia avvio	
H3	Lampara maquina preparada	Light machine ready	Voyant machine prêt	Betriebsbereitschaftsanzeigelampe	Pilota macchina preparata	
H4	Lampara falta Sal	Lamp salt missing	Lampe absence sel	Lampe Mangel Salz	Spia sale mancante	
HRS	Sistema recuperador energia	Heat Recovery System	Système de récupération de chaleur	System für Hitze-Rückgewinnung	Sistema con recupero di calore	
IG	Interruptor general	Main switch	Interrupteur général	Hauptschalter	Interruttore generale	
IP	Micro puerta	Door microswitch	Micro porte	Mikroschalter Tür	Micro porta	
let	Pulsador marcha	push button start	bouton de démarrage	Schalter (Ein)	Pulsante inizio	
L1 L2 L3	Fases Conexión Eléctrica	Power Supply Phases	Phases de alimentation	Stromanschlussfase	Fasi di alimentazione	
MB1, MB2	Bomba lavado	Wash Pump	Pompe de lavage	Waschpumpe	Pompa lavaggio	
M	Motor Programador lavado	Wash timer Motor	Programmeur Moteur lavage	Motor Programmiervorrichtung	Motore programmatore	
Mav, R	Motor Avance rapido Prg. Lav	Fast Forward Motor Prg. Wash	Moteur Avance rapide Prg. Lav	Motor Programmiervorrich. Betrieb	Motore programmatore avanzamento rapido	
M1, 2, 3, 4, 5	Micros Programador Lavado	Wash Programmer switch	laver micro-programmeur	Motor Programmiervorrich. Spülen	Micro programmatore di lavaggio	
M20, 21, 22, 23	Programador Regeneracion	Regeneration Timer	Programmeur régénération	Regenerierungsprogramm	Timer di regenerazione	
P	Puente	Electric bridge	Pont électrique	Elektrischesetg	Ponte elettrico	
P1	Presostato Tanque	Tank Pressure switch	Pressostat de cuve	Tank Druckwächter	Pressostato serbatoio	
P2	Presostato Bomba desague	Drain pump Pressure switch	Pressostat de Pompe de vidange	Abflulpumpe Druckwächter	Pressostato pompa scarico	
P3	Presostato calderin	Boiler Pressure switch	Pressostat de surchauffeur	Boiler Druckwächter	Pressostato boiler	
PRG	Programador Electronico	Electric programmer	Programmeur électronique	Elektronischer Programmierer	Programmatore elettronico	
PRG P2	Puente Soft Start	Soft Start Jumper	Soft Start Cavalier	Soft Start Brücke	Ponte Soft Start	
Rc	Resistencia calderin	Boiler heating element	Resistance surchauffeur	Heizwiderstand Boiler	Resistenza boiler	
RG	Relé General	Main Relay	Relais principal	Stromversorgungsanschluß Gener.	Relè generale	
RST	Relé Marcha	Start up relay	Start up relay	Relais	Relè inizio	
Rt	Resistencia tanque	Tank heating element	Resistance cuve	Heizwiderstand tank	Resistenza serbatoio	
SC	Sonda Temperatura Calderin	Boiler temperature sensor	Surchauffeur capteur de température	Temperatursensor Boiler	Boiler sonda temperatura	
ST	Sonda Temperatura tanque	Tank temperature sensor	Cuve capteur de température	Temperatursensor Tank	Serbatoio sonda temperatura	
TC	Termostato calderin	Boiler thermostat	Thermostat surchauffeur	Thermostat kessel	Termostato boiler	
Tmp	Temporizador	Timer	Minuteur	Timer	Timer	
TRF	Transformador	Transformer	Transformateur	Transformator	Transformatore	
TSC	Termostato Limitador calderin	Boiler Hi-limit thermostat	Thermostat Limiteur surchauffeur	Begrenzer Boiler	Limitatore boiler	
TST	Termostato Limitador tanque	Tank Hi-limit thermostat	Thermostat Limiteur de cuve	Begrenzer tank	Limitatore serbatoio	
TT	Termostato tanque	Tank thermostat	Thermostat de cuve	Thermostat tank	Termostato serbatoio	
V	Electroválvula llenado	Water solenoid valve	Electrovanne d'eau	Elektroventil Füllen und Spülen	Elettroval riempimento e risciacquo	
VF	Electroválvula agua Fna	Water solenoid valve	Electrovanne d'eau	Elektroventil Füllen und Spülen	Elettroval riempimento e risciacquo	
VR1, VR2, VR3, BR	Electrovalvulas Regeneracion	Regeneration solenoid valve	vanne de régénération	Regenerenventil	Valvola di rigenerazione	
	<b>COLOR</b>	<b>COLOUR</b>	<b>COULEURS</b>	<b>FARBEN</b>	<b>COLORE</b>	
a = BLU	Azul	Blue	Bleu	Blau	Blu	
am = YEL	Amarillo	Yellow	Jaune	Gelb	Giallo	
am/ve = YEL/GRN	Amarillo/Verde	Yellow / green	Jaune / vert	Gelb/ grün	Giallo/ verde	
b = WHT	Bianco	White	Blanc	Weiß	Bianco	
g = GRY	Gris	Grey	Gris	Grau	Grigio	
m = BRN	Marron	Brown	Marron	Braun	Marrone	
n = BLK	Negro	Black	Noir	Schwarz	Nero	
na = ORG	Naranja	Orange	Orange	Orange	Arancio	
r = RED	Rojo	Red	Rouge	Rot	Rosso	
rs = PNK	Rosa	Pink	Rose	Rosa	Rosa	
ve = GRN	Verde	Green	Vert	Grün	Verde	
vi = PRP	Violeta	Purple	Pourpre	Violett	Viola	
			12103338			12103338