



Curve-180 Curved Circular Camera Slider With Motion control

(SL-CUR-180-MC)

INSTRUCTION MANUAL



All rights reserved.

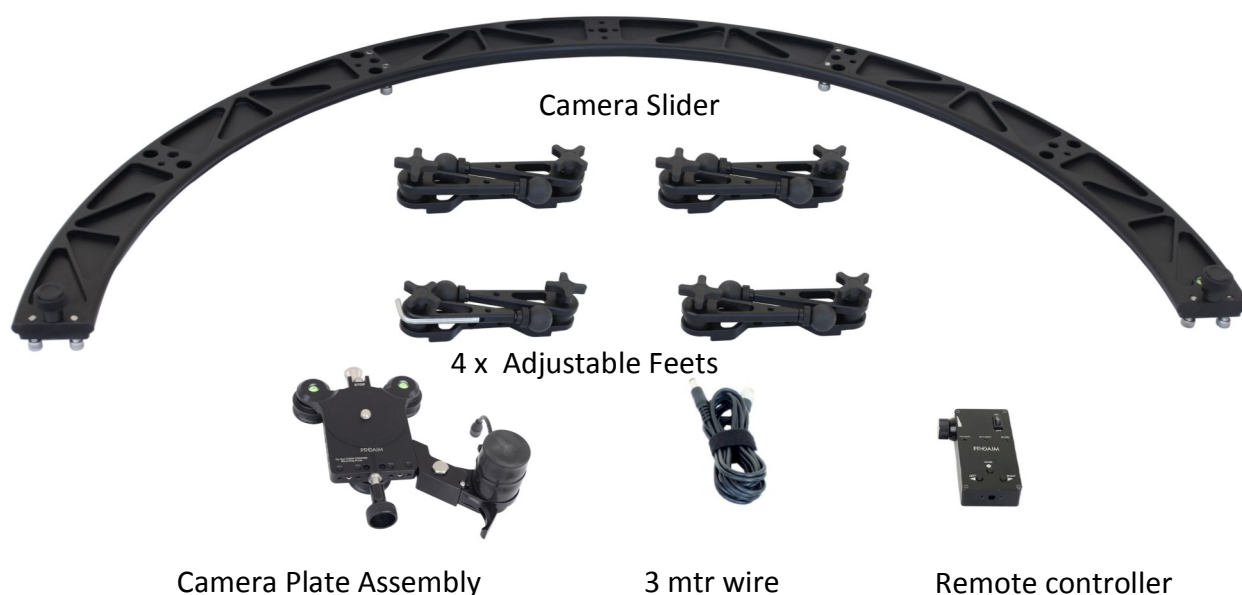
No part of this document may be reproduced, stored in a retrieval system, or transmitted by any form or by any means, electronic, mechanical, photocopying, recording, or otherwise, except as may be expressly permitted by the applicable copyright statutes or in writing by the Publisher.

INTRODUCTION

It's time to change the shooting style with straight camera sliders. Proaim launches a camera slider with a curve! Curve-180 Curved Camera Slider with Motion Control System is a must-have in your tool box and gives your shot compositions a jump start. Fully featured video slider with heavy-anodized **aluminum construction and super-smooth glide rail** gives you the ability to create high-quality production shots without over-extending your budget. It **attaches directly to a tripod** and may also **use stand-alone** with the included **adjustable & removable feet**. The compact Motion Control system when added to the slider lets you create **dynamic sequences with fluid motorized slides**. Its **Precision motor** produces **smooth incremental movements**, and works with most DSLR, Mirrorless, and digital cinema cameras up to 5kg/11lb.

IN THE BOX

Please inspect the contents of your shipped package to ensure you have received all that is pictured and listed below.



ASSEMBLING YOUR CURVED CAMERA SLIDER

- Loosen the knobs of both end feet and adjust the feet as per your requirement.



- Place the slider rail on end foots and tighten the screw to secure it.



- Mount the camera mounting plate assembly on slider and tighten the knob to secure it.



CONNECTING WIRE WITH MOTOR TO CONTROLLER

- Attach **Female connector** of motor to the one end of 3 mtr wire of **DC male connector**. Attach the other end of 3 mtr wire of **(4 pin hero push pull connector)** to the 4pin **male connector** on controller.



ATTACHING THE MOTOR WITH SLIDER



Caution : While performing this step, make sure that your camera plate is mounted onto the slider.

- Pull the lever to attach the motor with slider as shown in image below .



- Mount your camera onto the fluid head & tighten it to secure it.



NOTE: YOU CAN ALSO USE THE SLIDER WITHOUT MOTOR.



**YOUR PROAIM CURVE-180 CURVED CIRCULAR CAMERA SLIDER WITH MOTION CONTROL
CONTROL
ALL DRESSED UP AND GOOD TO GO**



(SHOWN WITH OPTIONAL ACCESSORIES)

WARRANTY

We offer a one year warranty for our products from the date of purchase.

We will repair or replace your product, free of charge, in the event of a defect in materials or craftsmanship obtained during normal use or handling based on the user manual. Please note that we will not cover any shipping costs for returning the product to us. If any VAT or import duties are applied to the return, we will also charge these costs to the customer.

The warranty does not include, by the way of example, damage caused by products that we do not supply or from mishandling in transit, accident, misuse, neglect, lack of care of the product , or service by anyone other than our company.

We are not liable for incidental or consequential damages resulting from the use of the unit or occurring due to any breach of this warranty.

Replacement parts of the product will be provided at nominal cost (covering the cost price of the replacement parts only) to the customers after the Warranty Period has expired. We will cover the complete cost of sending replacement parts within the warranty period. After that, nominal cost of the product & Actual shipping cost will be charged.

Do not send the unit to us without first getting a response and getting the approval to send back the item.

In case of any kind of dissatisfaction, we urge you to Contact us immediately and we shall do our best to help you out.

For any other assistance you can reach us via email.