



# ONE SMART BOX Wingspan® Organizer

WNOR01  
Compatible with Wingspan® and its expansions  
Assembly Guide



<https://smonex.com>

Created for:

- Wingspan
- Wingspan: European Expansion
- Wingspan: Oceania Expansion

NOT A CHILDREN TOY  
**AGE 14+**

Gloomhaven: Jaws of the Lion® is a registered trademark of Cephalofair Games. Any mention of Gloomhaven: Jaws of the Lion® is for reference purposes only. ALL RIGHTS RESERVED by their respective trademark holders. No challenge to any intellectual property rights is intended or implied by representations of compatibility and no endorsements of any of our products by any other company is implied or represented.



# ONE SMART BOX

## Wingspan® Organizer

WNOR01  
Compatible with Wingspan® and its expansions  
Assembly Guide

### Tips and tricks

- To assemble each tray you need a wood glue for extra strength. (We recommend Titebond 2 Wood Glue or Beacon 527)
- Please make sure you assembled each tray correctly before gluing it together.
- Use stationery knife to cut the bits that connect details to the frame.
- Remove the details from the frame with a rotational motion along the axis formed by the bits you just cut.
- Use stationery knife and sandpaper to remove all the remaining connection bits.
- You may fix the box with rubber bands after gluing it. This will save you time and simplify the assembly.
- Use a hairdryer for easier removal of the protective covering from acrylic details. Just heat the acrylic surface a little to remove the covering much easier!
- Leave your finished insert overnight to dry completely.

### Assembly Supplies



Wood-glue



Stationery knife



Hammer



Cotton swab



Rubber bands



Hairdryer

If something is damaged or broken, please do not return the whole set. Contact us directly on email [info@smonex.com](mailto:info@smonex.com) or our website [smonex.com](http://smonex.com). Any questions or issues with the Smonex products, we'll do our best to help you. We want our customers to be completely satisfied.

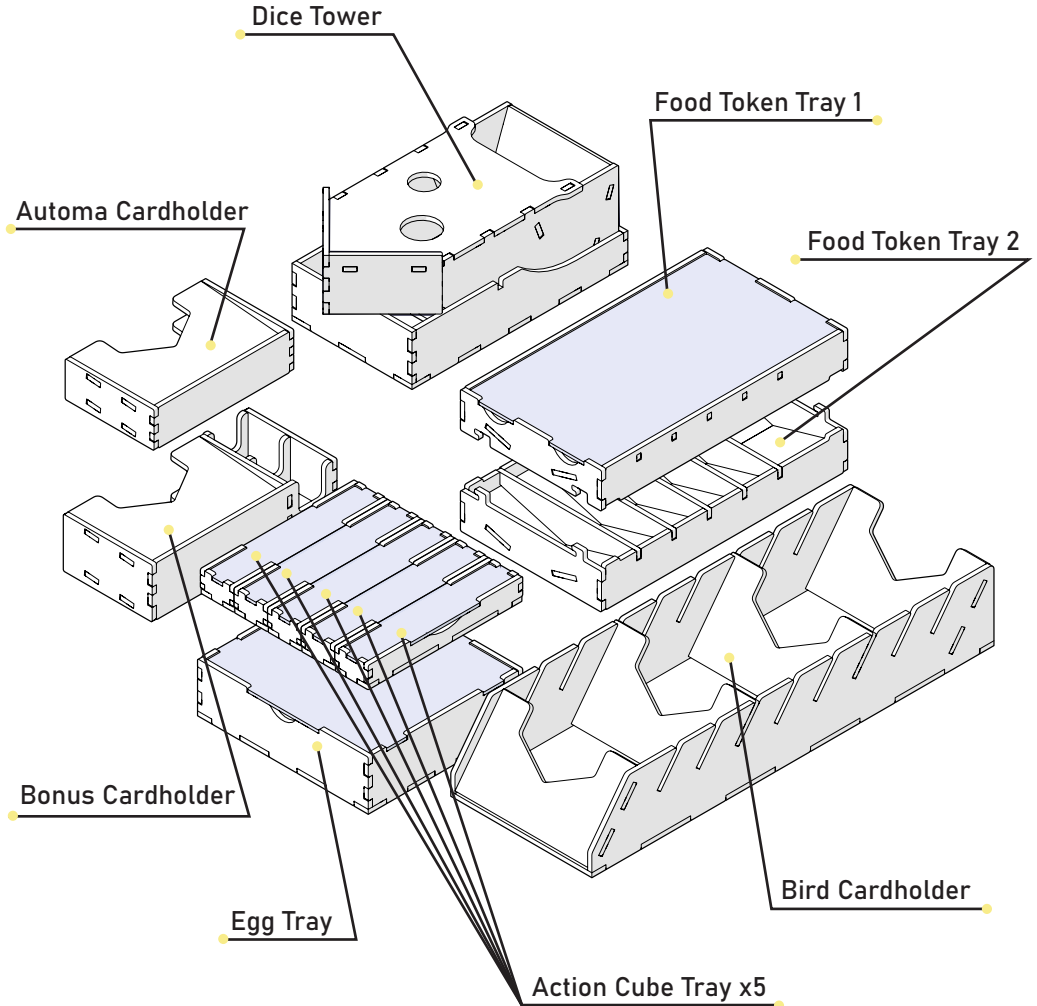
**IMPORTANT:** Assemble each tray one by one. Please DO NOT take out all the parts from the sheets and mix them. Even though some parts look similar, they are not interchangeable.



# ONE SMART BOX

## Wingspan® Organizer

WNOR01  
Compatible with Wingspan® and its expansions  
Assembly Guide



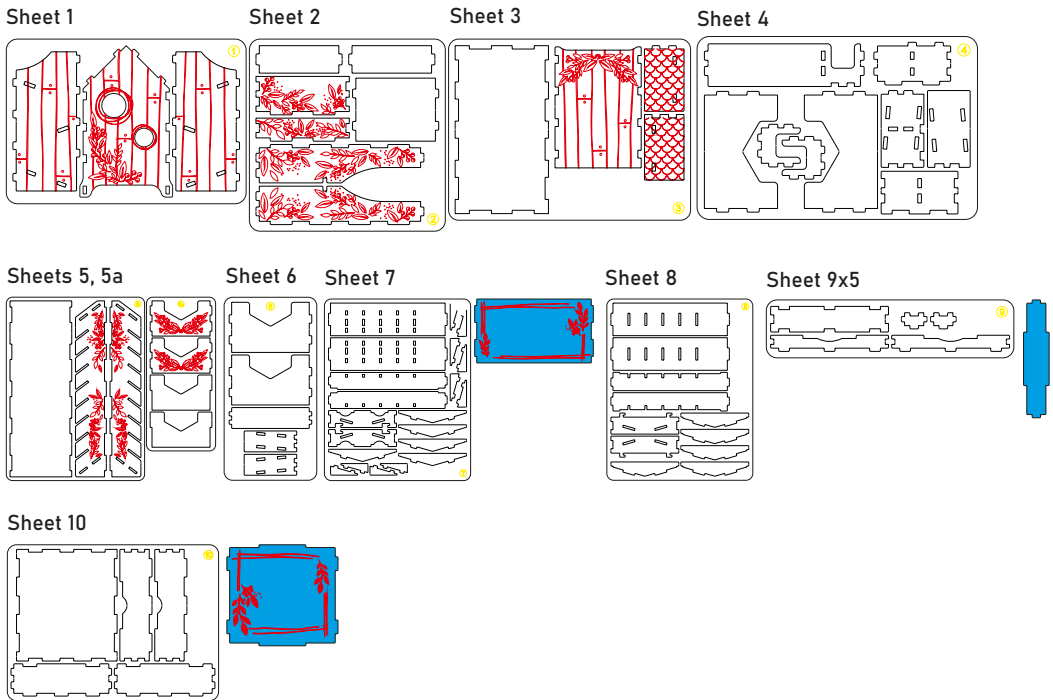


# ONE SMART BOX

## Wingspan® Organizer

WNOR01  
Compatible with Wingspan® and its expansions  
Assembly Guide

- Brief assembly instructions:**
1. Unpack and arrange the sheets in order.
  2. Compare details on the sheets with details in the pictures of the guide.
  3. Study the pictures of unassembled product.
  4. Start your assembly, taking the necessary parts out of the sheets in a certain order.



### Legend:

- Highlighted details to be extruded
- Details not used in this assembly
- Details to be glued
- Details to be connected without glue

### Components:

- 15 sheets extrusion molds
- 7 acrylic pieces
- 1 assembled first player token stand
- 1 sandpaper for stripping parts
- Assembly guide

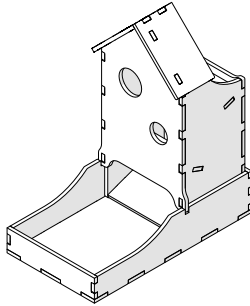


# ONE SMART BOX

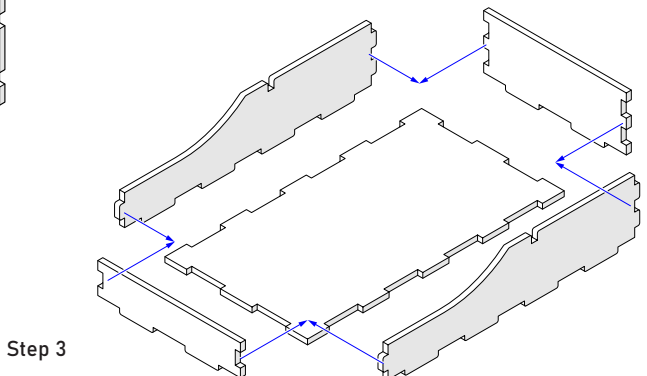
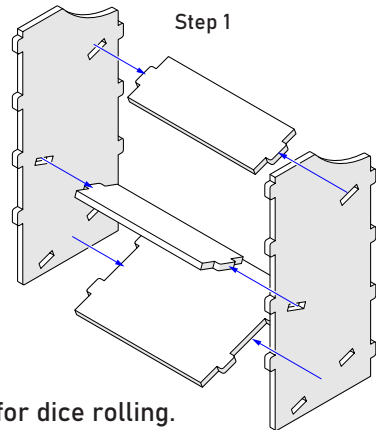
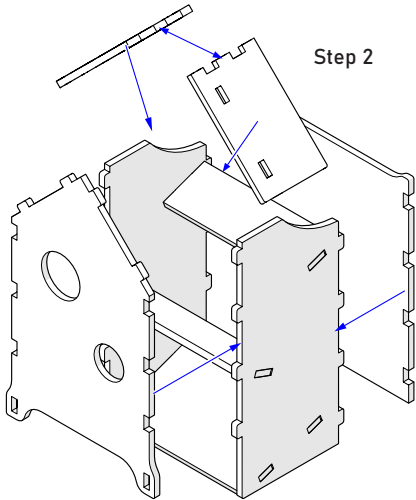
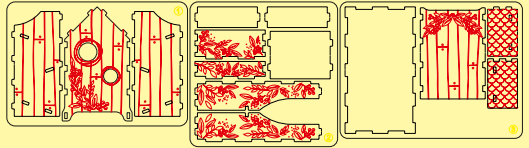
## Wingspan® Organizer

WNOR01  
Compatible with Wingspan® and its expansions  
Assembly Guide

### Dice Tower and Tray



Sheets 1, 2, 3



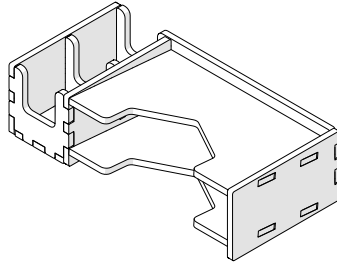
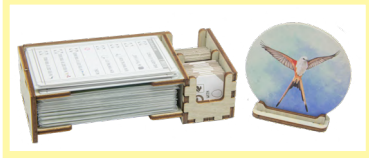
Please note that the engraving must be on the outside of the boxes.



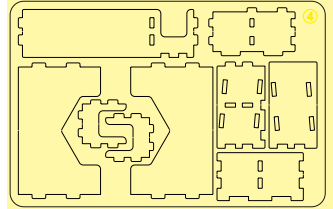
# ONE SMART BOX Wingspan® Organizer

WNOR01  
Compatible with Wingspan® and its expansions  
Assembly Guide

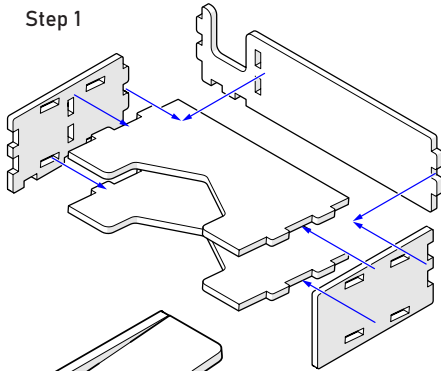
## Bonus Cardholder



Sheet 4

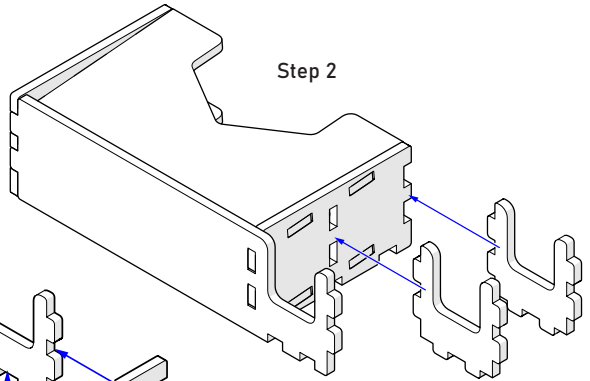


Step 1

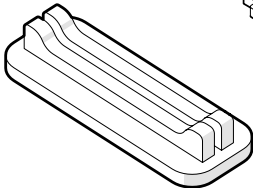
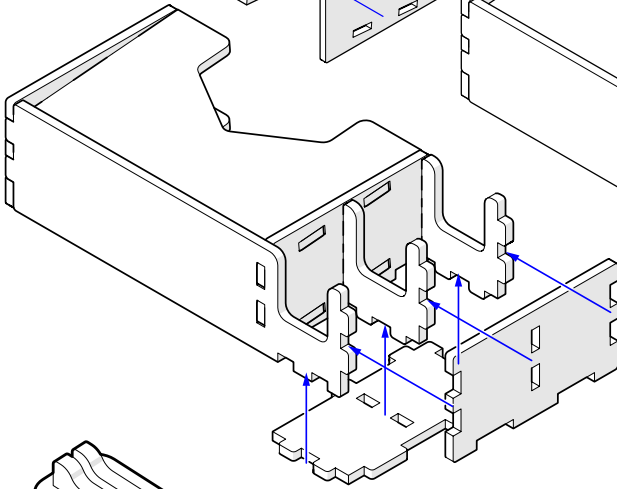


Intended for Bonus Cards,  
Goal Tokens and First Player Token Stand.

Step 2



Step 3



You get already assembled First Player Token Stand.

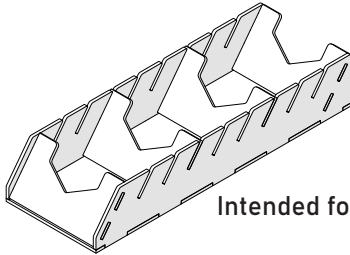


# ONE SMART BOX

## Wingspan® Organizer

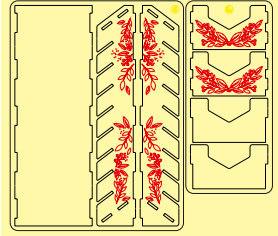
WNOR01  
Compatible with Wingspan® and its expansions  
Assembly Guide

### Bird Cardholder

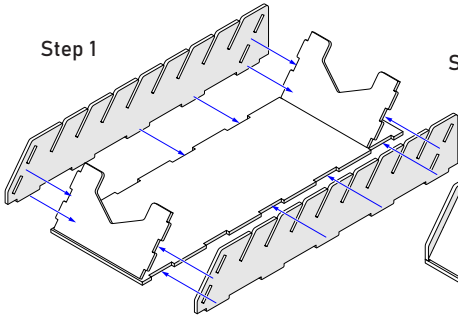


Intended for Bird Cards.

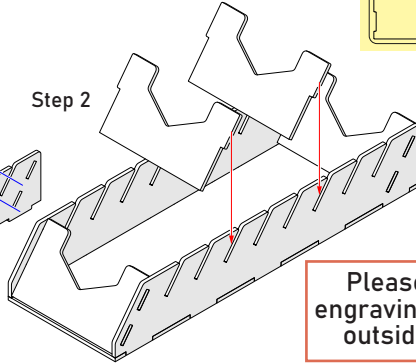
Sheets 5, 5a



Step 1

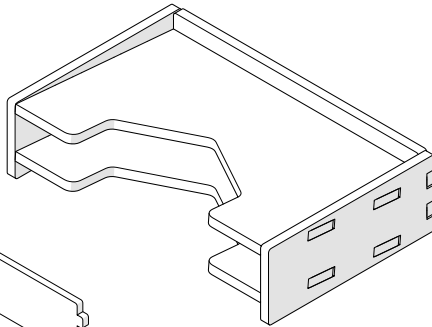


Step 2

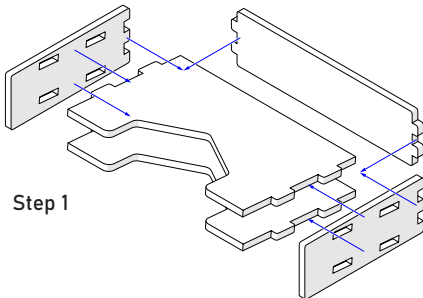


Please note that the engraving must be on the outside of the boxes.

### Automa Cardholder

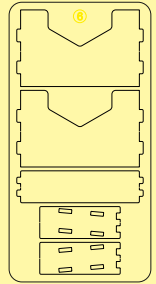


Step 1



Intended for Automa Cards.

Sheet 6



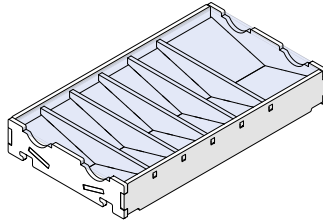


# ONE SMART BOX

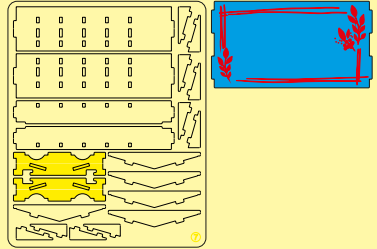
## Wingspan® Organizer

WNOR01  
Compatible with Wingspan® and its expansions  
Assembly Guide

### Food Token Tray 1



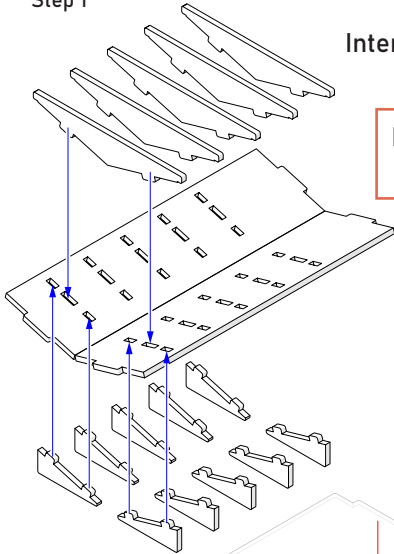
Sheet 7



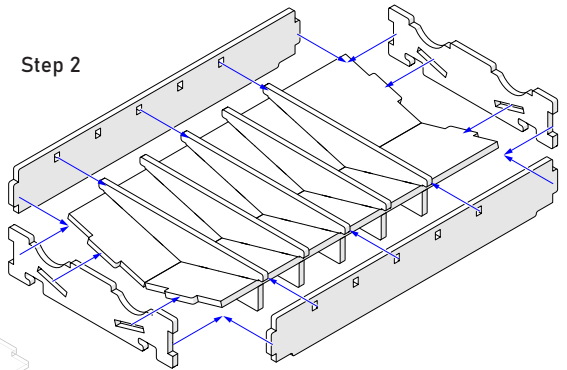
Step 1

Intended for Food Tokens.

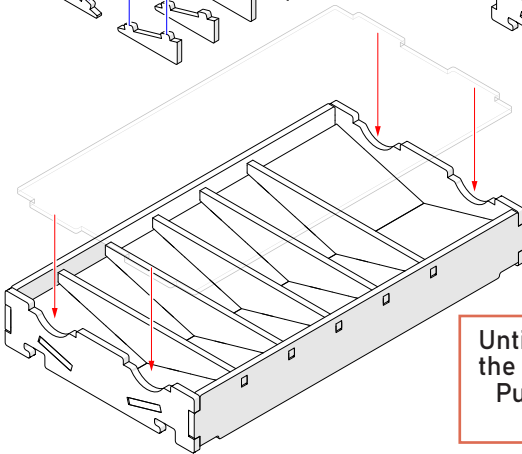
Please note that the mounts must point to one side as two trays are held together for easy storage.



Step 2



Step 3



Until the glue has completely dried, make sure the Lid fits the tray and can be easily removed. Put it back in its place on the tray. Only then remove the protective covering.



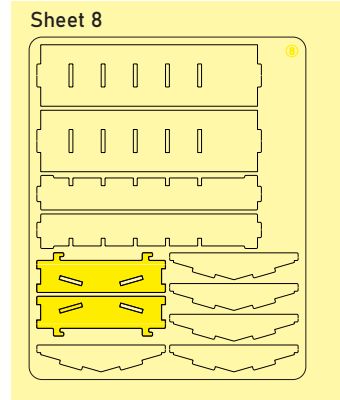
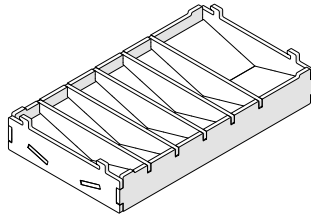


# ONE SMART BOX

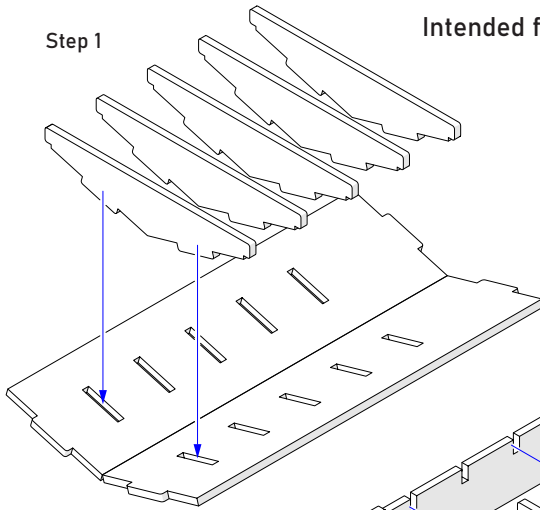
## Wingspan® Organizer

WNOR01  
Compatible with Wingspan® and its expansions  
Assembly Guide

### Food Token Tray 2

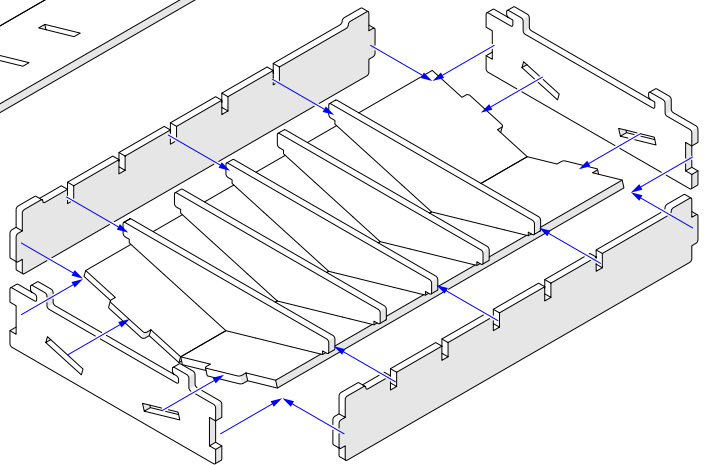


Step 1



Intended for Food Tokens.

Step 2



Please note that the mounts must point to one side as two trays are held together for easy storage.

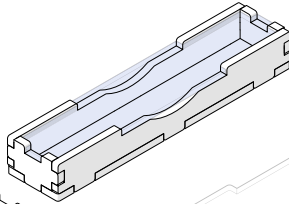
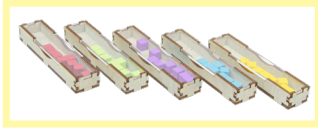


# ONE SMART BOX

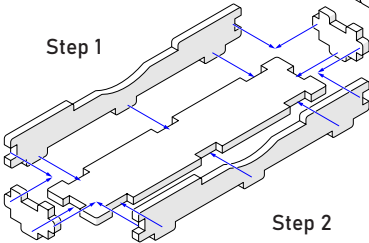
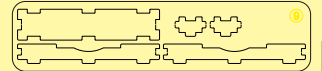
## Wingspan® Organizer

WNOR01  
Compatible with Wingspan® and its expansions  
Assembly Guide

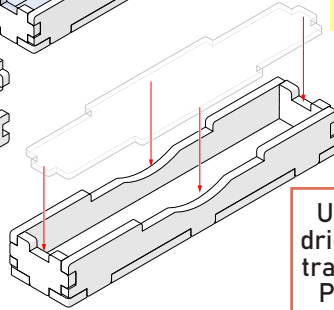
### Action Cube Tray x5



Sheet 9x5



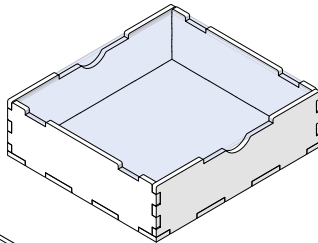
Step 2



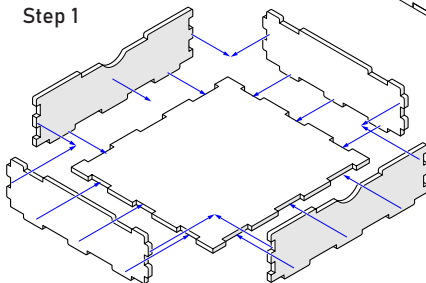
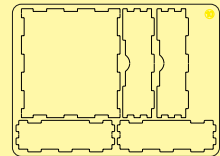
Intended for Action Cubes.

Until the glue has completely dried, make sure the Lid fits the tray and can be easily removed. Put it back in its place on the tray. Only then remove the protective covering.

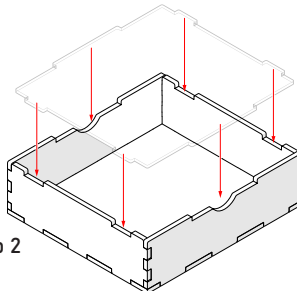
### Egg Tray



Sheet 10



Step 2



Intended for Egg miniatures.

Until the glue has completely dried, make sure the Lid fits the tray and can be easily removed. Put it back in its place on the tray. Only then remove the protective covering.



ONE SMART BOX

Some other SMONEX products:

Terraforming Mars TMOR01



Scythe SEOR01



This is a non-licensed product. ALL RIGHTS RESERVED by their respective trademark holders. No challenge to any intellectual property rights is intended or implied by representations of compatibility and no endorsements of any of our products by any other company is implied or represented.




Welcome to <https://smonex.com>.


If something is damaged or broken, please do not return the whole set. Contact us directly on email [info@smonex.com](mailto:info@smonex.com) or our website [smonex.com](https://smonex.com).

Any questions or issues with the Smonex products, we'll do our best to help you. Your satisfaction of it is our top priority.

Thanks for choosing Smonex product. We would be grateful for your feedback, which inspires us and helps to develop further. We'll gladly help you on any matter if you contact us on [info@smonex.com](mailto:info@smonex.com).

Share your photos with #smonex and follow us for all the updates:

 <https://www.facebook.com/Smonexcom>

 [https://www.instagram.com/smonex\\_com/](https://www.instagram.com/smonex_com/)

 [https://twitter.com/Smonex\\_com](https://twitter.com/Smonex_com)

 [https://www.pinterest.com/smonex/\\_shop/](https://www.pinterest.com/smonex/_shop/)

 <https://www.youtube.com/c/SmonexSmartOneBox>



Scan QR-code to visit or follow Smonex.