



ONE SMART BOX

Viticulture. Essential Edition® Organizer

VEOR01

Compatible with Viticulture. Essential Edition® and its expansions
Assembly Guide



<https://smonex.com>

Created for:

- Viticulture Essential Edition
- Viticulture: Tuscany Essential Edition
- Viticulture: Moor Visitors Expansion
- Viticulture: Visit from the Rhine Valley

NOT A CHILDREN TOY

AGE 14+

Viticulture Essential Edition® is a registered trademark of Stonemaier Games. Any mention of Viticulture Essential Edition® is for reference purposes only. ALL RIGHTS RESERVED by their respective trademark holders. No challenge to any intellectual property rights is intended or implied by representations of compatibility and no endorsements of any of our products by any other company is implied or represented.



ONE SMART BOX

Viticulture. Essential Edition® Organizer

VEOR01

Compatible with Viticulture. Essential Edition® and its expansions
Assembly Guide

Tips and tricks

- To assemble each tray you need a wood glue for extra strength. (We recommend Titebond 2 Wood Glue or Beacon 527)
- Please make sure you assembled each tray correctly before gluing it together.
- Use stationery knife to cut the bits that connect details to the frame.
- Remove the details from the frame with a rotational motion along the axis formed by the bits you just cut.
- Use stationery knife and sandpaper to remove all the remaining connection bits.
- You may fix the box with rubber bands after gluing it. This will save you time and simplify the assembly.
- Make sure to remove the protective covering from both sides of the acrylic pieces. Use a hairdryer for easier removal of it if necessary. Just heat the acrylic surface a little to remove the covering much easier!
- Leave your finished insert overnight to dry completely.

Assembly Supplies



Wood-glue



Stationery knife



Hammer



Cotton swab



Rubber bands



Hairdryer

If something is damaged or broken, please do not return the whole set. Contact us directly on email info@smonex.com or our website smonex.com. Any questions or issues with the Smonex products, we'll do our best to help you. We want our customers to be completely satisfied.

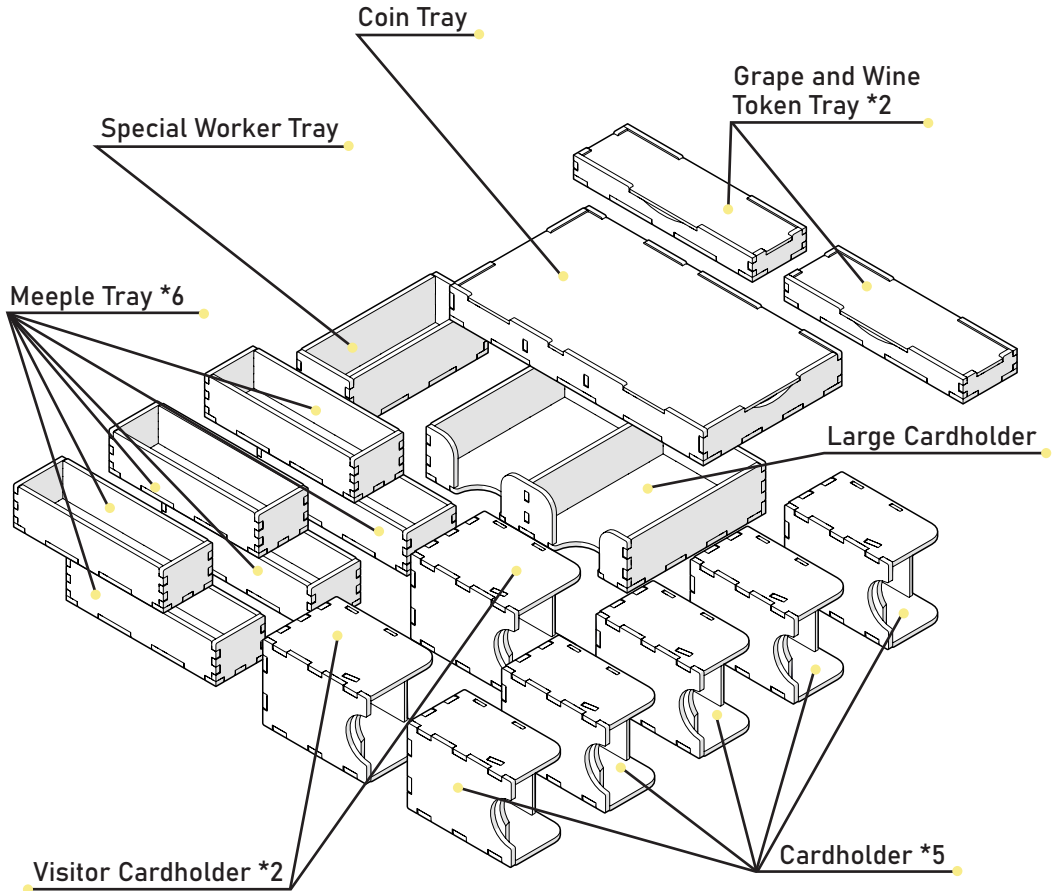
IMPORTANT: Assemble each tray one by one. Please DO NOT take out all the parts from the sheets and mix them. Even though some parts look similar, they are not interchangeable.



ONE SMART BOX Viticulture. Essential Edition® Organizer

VEOR01

Compatible with Viticulture. Essential Edition® and its expansions
Assembly Guide





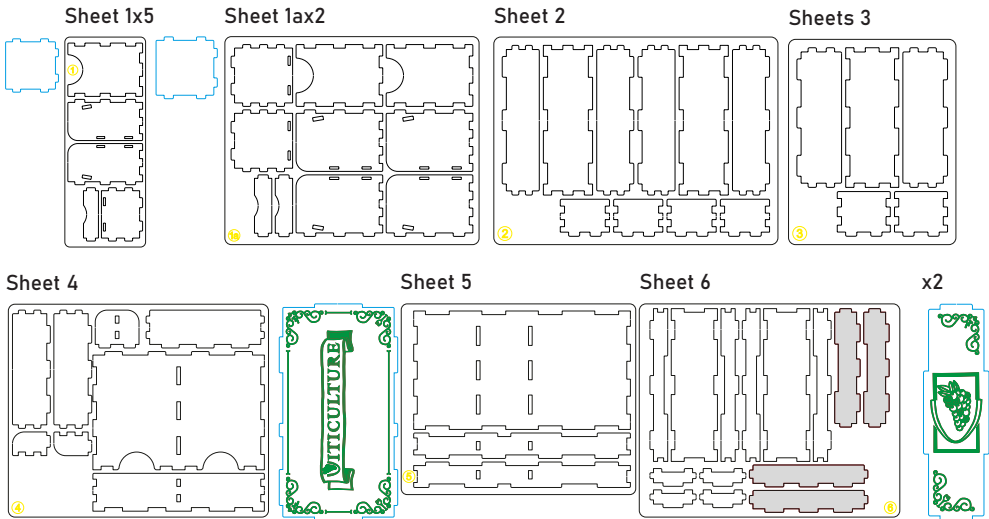
ONE SMART BOX

Viticulture. Essential Edition® Organizer

VEOR01

Compatible with Viticulture. Essential Edition® and its expansions
Assembly Guide

- Brief assembly instructions:**
1. Unpack and arrange the sheets in order.
 2. Compare details on the sheets with details in the pictures of the guide.
 3. Study the pictures of unassembled product.
 4. Start your assembly, taking the necessary parts out of the sheets in a certain order.



Legend:

- Highlighted details to be extruded
- Details not used in this assembly
- Details to be glued
- Details to be connected without glue

Components:

- 12 sheets extrusion molds
- 10 acrylic pieces
- 1 sandpaper for stripping parts
- Assembly guide



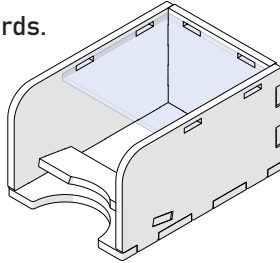
ONE SMART BOX Viticulture. Essential Edition® Organizer

VEOR01
Compatible with Viticulture. Essential Edition® and its expansions
Assembly Guide

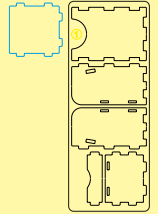
Cardholder x5



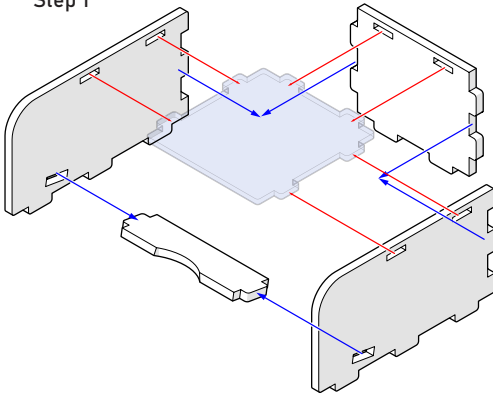
Intended for mini cards.



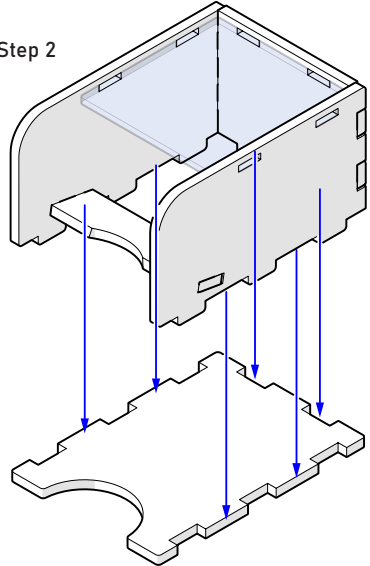
Sheet 1



Step 1



Step 2



Please make sure to remove the protective covering from the both sides of acrylics before assembly.

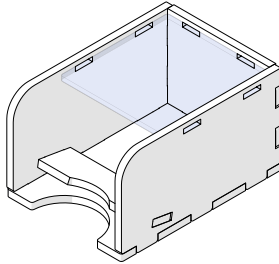
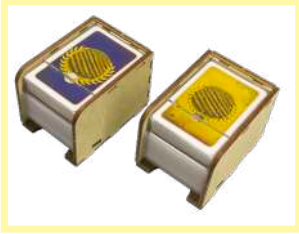


ONE SMART BOX Viticulture. Essential Edition® Organizer

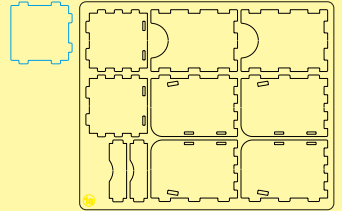
VEOR01

Compatible with Viticulture. Essential Edition® and its expansions
Assembly Guide

Visitor Cardholder x2

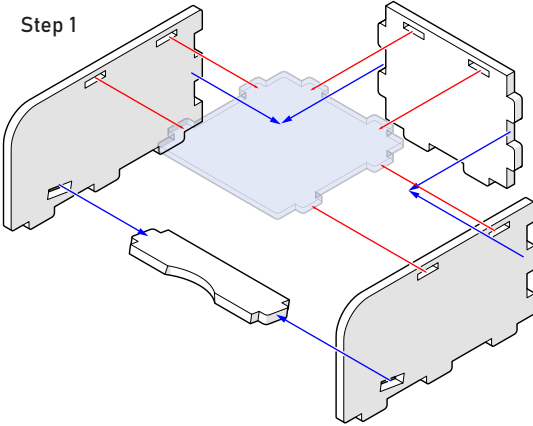


Sheet 1a

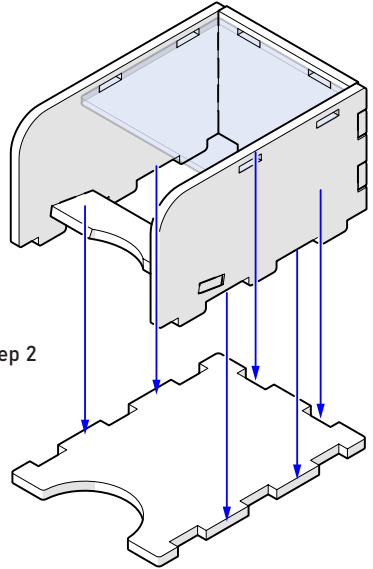


Intended for Visitor
Cards.

Step 1



Step 2



Please make sure to remove the protective covering from the both sides of acrylics before assembly.

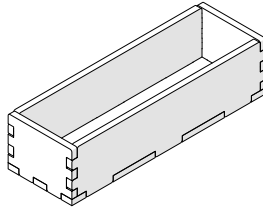


ONE SMART BOX Viticulture. Essential Edition® Organizer

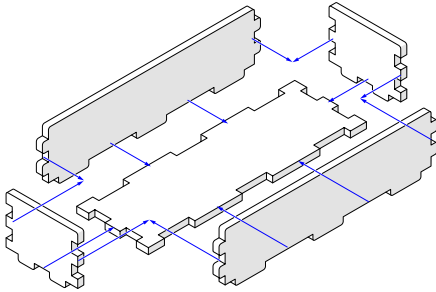
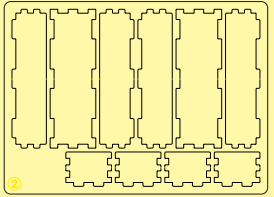
VEOR01

Compatible with Viticulture. Essential Edition® and its expansions
Assembly Guide

Meeple Tray x3



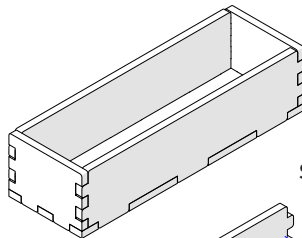
Sheet 2



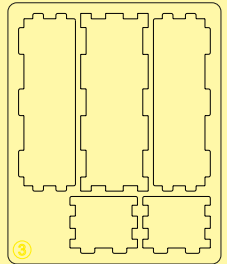
Step 1

Intended for colored worker meeples
and other player's tokens.

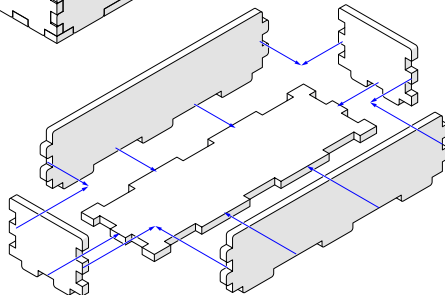
Special Worker Tray



Sheet 3



Intended for Special Worker
Meeples



Step 1

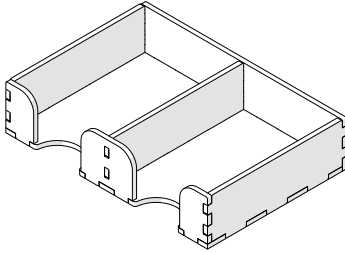


ONE SMART BOX Viticulture. Essential Edition® Organizer

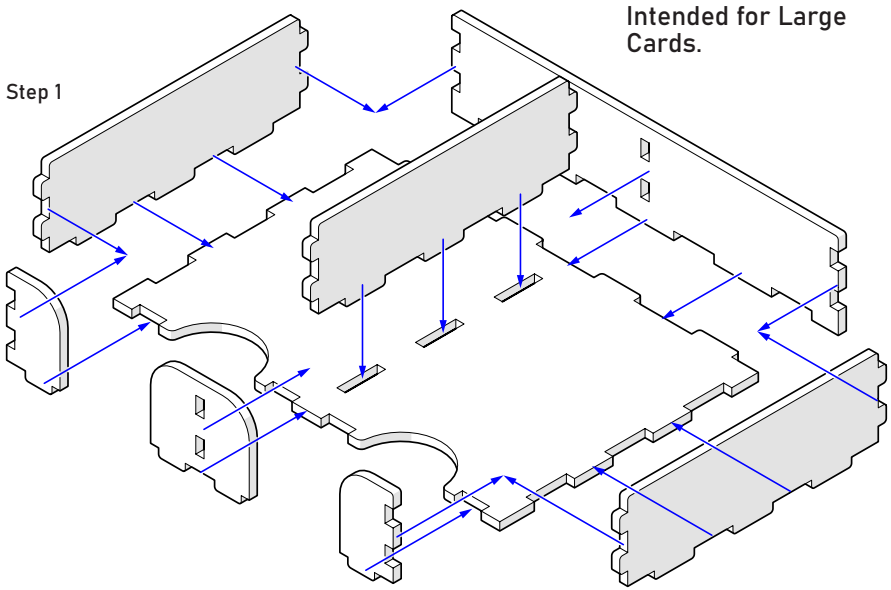
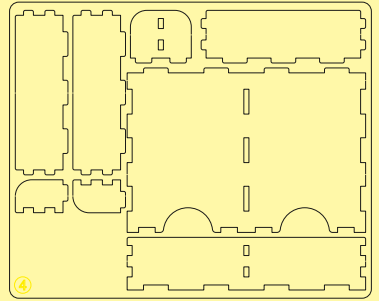
VEOR01

Compatible with Viticulture. Essential Edition® and its expansions
Assembly Guide

Large Cardholder



Sheet 4



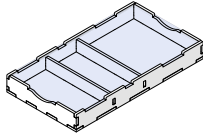


ONE SMART BOX Viticulture. Essential Edition® Organizer

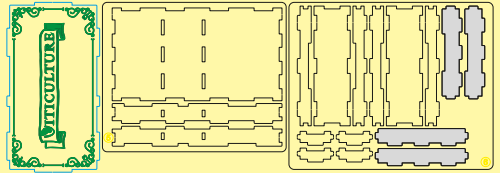
VEOR01

Compatible with Viticulture. Essential Edition® and its expansions
Assembly Guide

Coin Tray

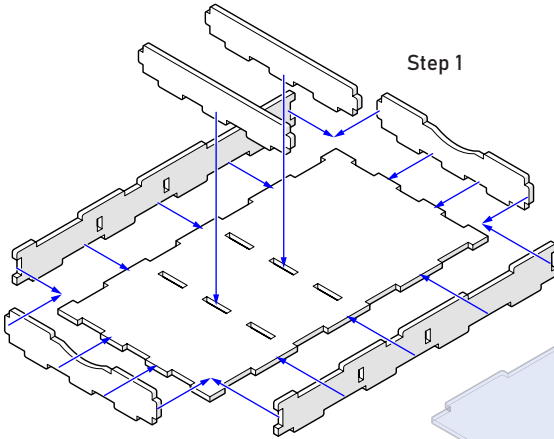


Sheets 5, 6

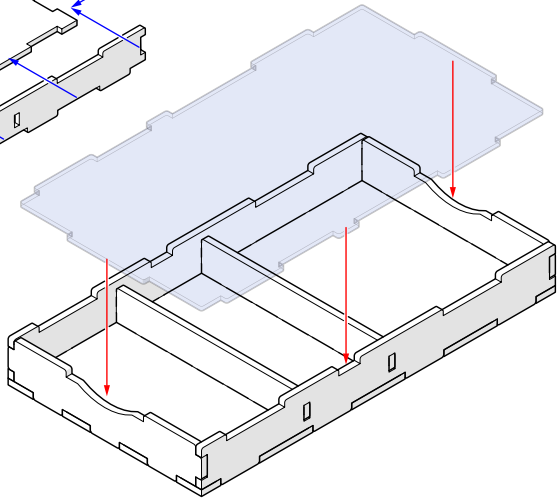


Intended for Cardboard Lira Coins.

Step 1



Step 2



Until the glue has completely dried, make sure the lid fits the tray and can be easily removed. Put it back in its place on the tray. Only then carefully remove the protective covering from the both sides of the lid.

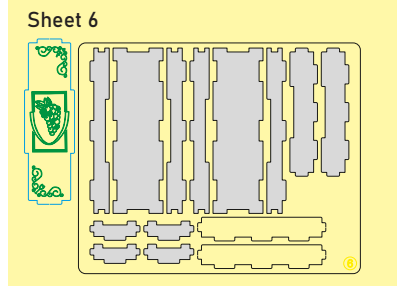
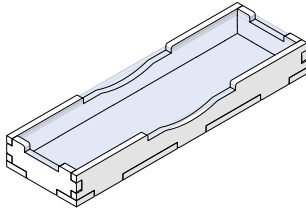


ONE SMART BOX Viticulture. Essential Edition® Organizer

VEOR01

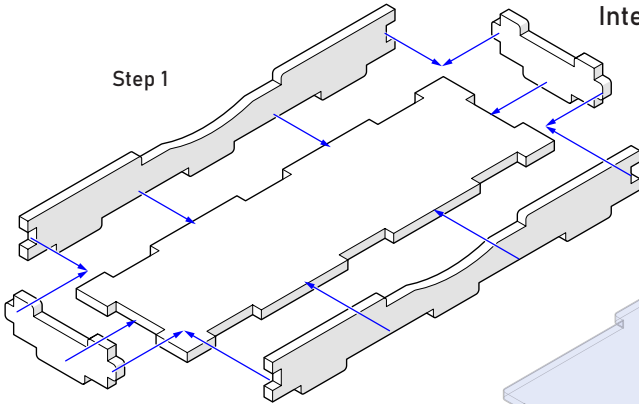
Compatible with Viticulture. Essential Edition® and its expansions
Assembly Guide

Grape and Wine Token Tray *2

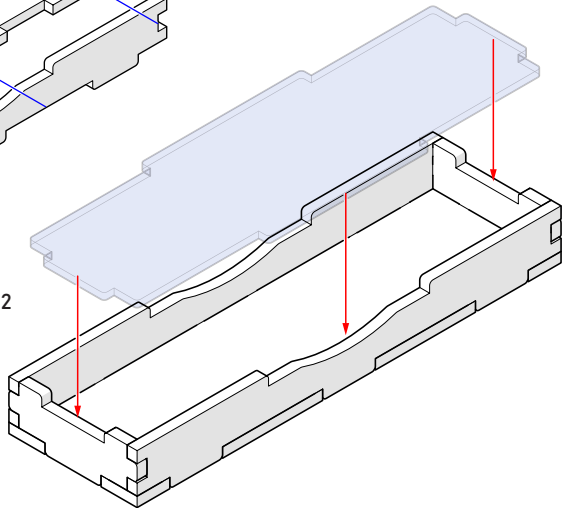


Intended for Grape and Wine Tokens.

Step 1



Step 2



Until the glue has completely dried, make sure the lid fits the tray and can be easily removed. Put it back in its place on the tray. Only then carefully remove the protective covering from the both sides of the lid.



ONE SMART BOX

Some other SMONEX products:

Wingspan WNOR01



Scythe SEOR01






Welcome to <https://smonex.com>.

If something is damaged or broken, please do not return the whole set. Contact us directly on email info@smonex.com or our website smonex.com.

Any questions or issues with the Smonex products, we'll do our best to help you. Your satisfaction of it is our top priority.

Thanks for choosing Smonex product. We would be grateful for your feedback, which inspires us and helps to develop further. We'll gladly help you on any matter if you contact us on info@smonex.com.

Share your photos with #smonex and follow us for all the updates:

 <https://www.facebook.com/Smonexcom>

 https://www.instagram.com/smonex_com/

 https://twitter.com/Smonex_com

 https://www.pinterest.com/smonex/_shop/

 <https://www.youtube.com/c/SmonexSmartOneBox>



Scan QR-code to visit or follow Smonex.