



ONE SMART BOX

Pax Pamir® Organizer

PPR0R01

Compatible with Pax Pamir® 2nd Edition board game
Assembly Guide



<https://smonex.com>

NOT A CHILDREN TOY
AGE 14+

Created for:

- Pax Pamir: 2nd Edition

Pax Pamir® is a registered trademark of Wehrlegig Games. Any mention of Pax Pamir® is for reference purposes only. ALL RIGHTS RESERVED by their respective trademark holders. No challenge to any intellectual property rights is intended or implied by representations of compatibility and no endorsements of any of our products by any other company is implied or represented.



ONE SMART BOX Pax Pamir® Organizer

PPROR01

Compatible with Pax Pamir® 2nd Edition board game
Assembly Guide

Tips and tricks

- To assemble each tray you need a wood glue for extra strength. (We recommend Titebond 2 Wood Glue or Beacon 527).
- Please make sure you assembled each tray correctly before gluing it together.
- Use stationery knife to cut the bits that connect details to the frame.
- Remove the details from the frame with a rotational motion along the axis formed by the bits you just cut.
- Use stationery knife and sandpaper to remove all the remaining connection bits.
- Please note that the engraving must be on the outside of the boxes.
- You may fix the box with rubber bands after gluing it. This will save you time and simplify the assembly.
- Make sure to remove the protective covering from BOTH sides of the acrylic pieces. Use a hairdryer for easier removal of it if necessary. Just heat the acrylic surface a little to remove the covering much easier!
- Leave your finished insert overnight to dry completely.

Assembly Supplies



Wood-glue



Stationery knife



Hammer



Cotton swab



Rubber bands



Hairdryer

If something is damaged or broken, please do not return the whole set. Contact us directly on email info@smonex.com or our website smonex.com. Any questions or issues with the Smonex products, we'll do our best to help you. We want our customers to be completely satisfied.

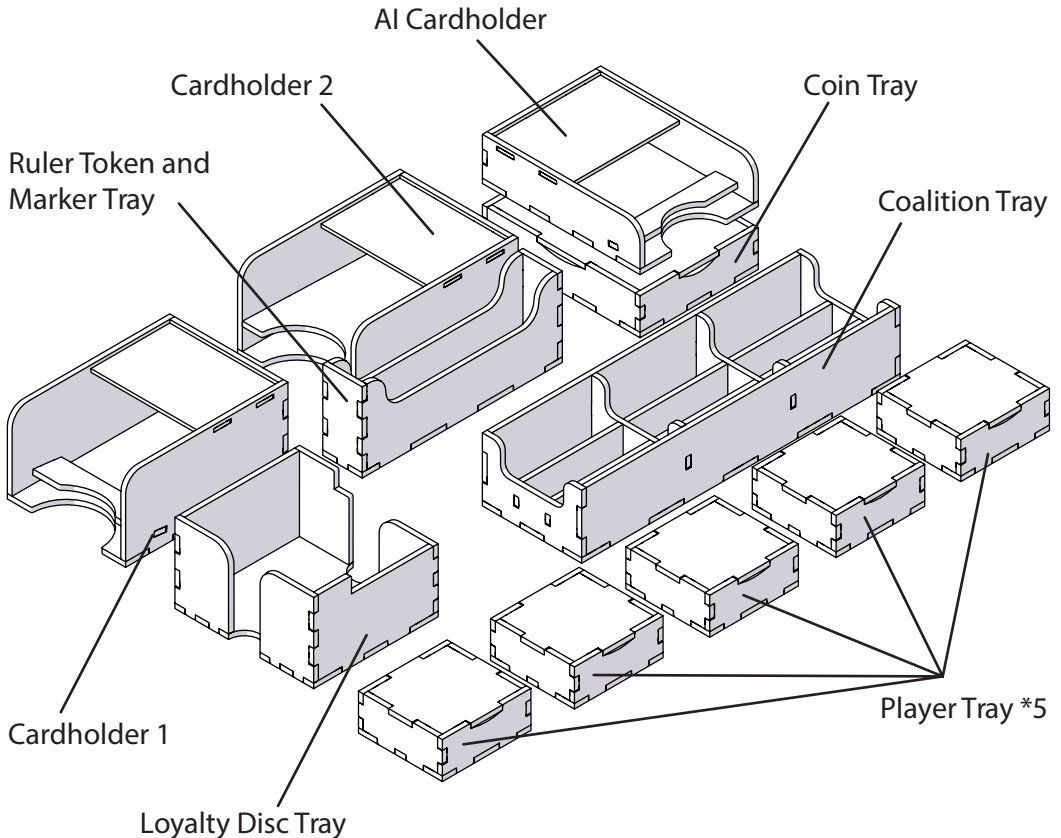
IMPORTANT: Assemble each tray one by one. Please DO NOT take out all the parts from the sheets and mix them. Even though some parts look similar, they are not interchangeable.



ONE SMART BOX Pax Pamir® Organizer

PPROR01

Compatible with Pax Pamir® 2nd Edition board game
Assembly Guide



The map should be stored on the top of the Player trays. We've also replaced a coin bag with a special tray, but you can keep it and put it on the Loyalty Disc tray or on the Player trays together with the map.



ONE SMART BOX

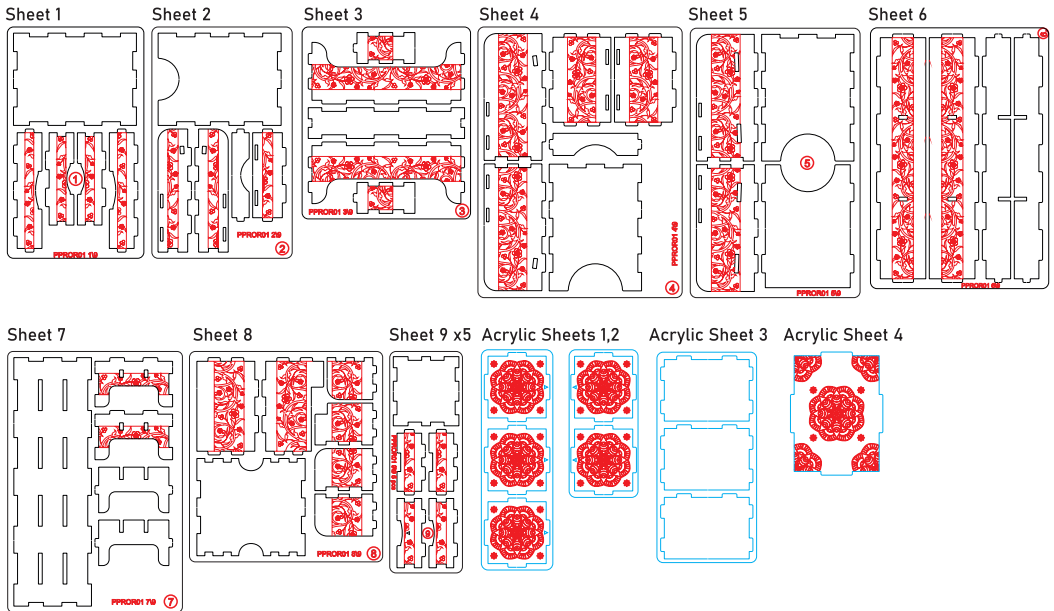
Pax Pamir® Organizer

PPROR01

Compatible with Pax Pamir® 2nd Edition board game
Assembly Guide

Brief assembly instructions:

1. Unpack and arrange the sheets in order.
2. Compare details on the sheets with details in the pictures of the guide.
3. Study the pictures of unassembled product.
4. Start your assembly, taking the necessary parts out of the sheets in a certain order.



Legend:

- Details to be extruded
- Details not used in this assembly
- Details to be glued
- Details to be connected without glue

Components:

- 13 sheets extrusion molds
- 3 acrylic sheets extrusion molds
- 1 acrylic cover
- 1 sandpaper for stripping parts
- Assembly guide



ONE SMART BOX Pax Pamir® Organizer

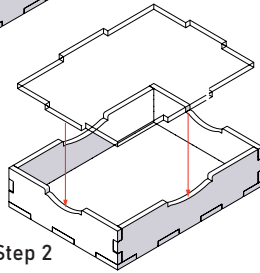
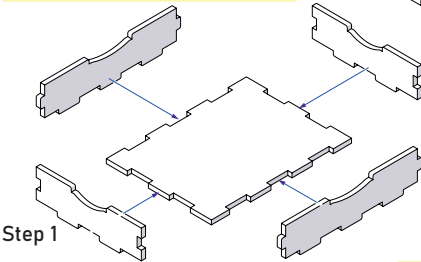
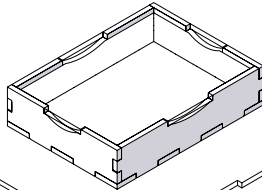
PPROR01

Compatible with Pax Pamir® 2nd Edition board game
Assembly Guide

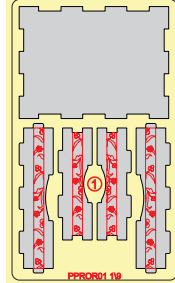
Coin Tray



Intended for coins.



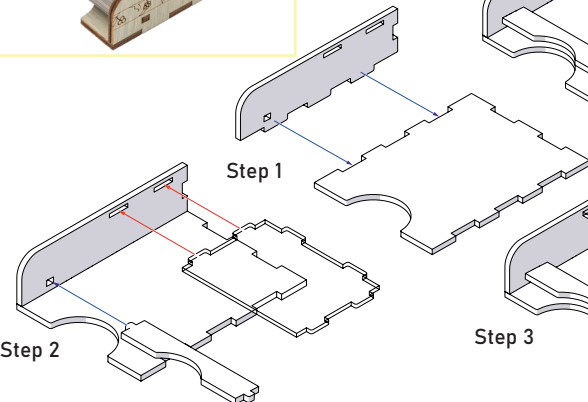
Sheet 1, Acrylic Sheet 4



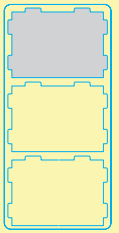
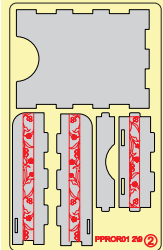
Until the glue has completely dried, make sure the lid fits the tray and can be easily removed. Put it back in its place on the tray. Only then carefully remove the protective covering.

AI Cardholder

Intended for AI cards and Aid cards.



Sheet 2, Acrylic Sheet 3



Until the glue has completely dried, make sure the lid fits the tray and can be easily removed. Put it back in its place on the tray. Only then carefully remove the protective covering.



ONE SMART BOX Pax Pamir® Organizer

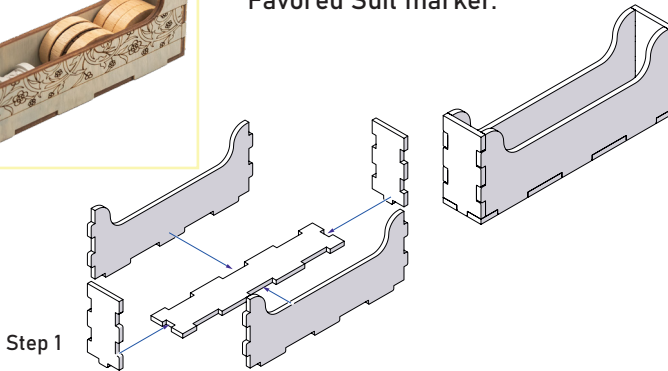
PPROR01

Compatible with Pax Pamir® 2nd Edition board game
Assembly Guide

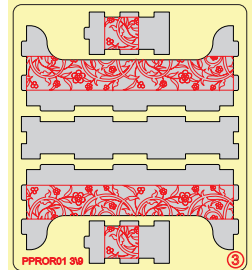
Ruler Token and Marker Tray



Intended for Ruler tokens and Favored Suit marker.



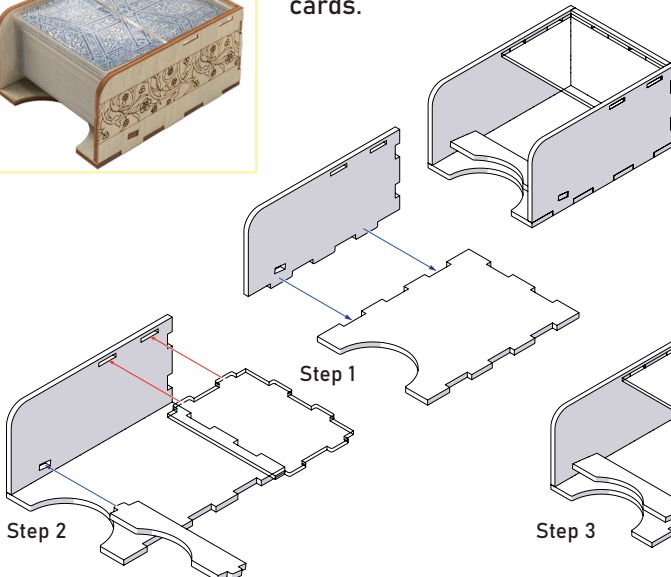
Sheet 3



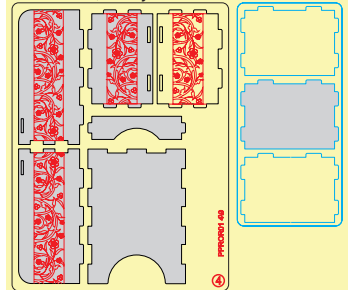
Cardholder 1



Intended for 50 Court cards.



Sheet 4, Acrylic Sheet 3



Until the glue has completely dried, make sure the lid fits the tray and can be easily removed. Put it back in its place on the tray. Only then carefully remove the protective covering.

Step 3



ONE SMART BOX Pax Pamir® Organizer

PPROR01

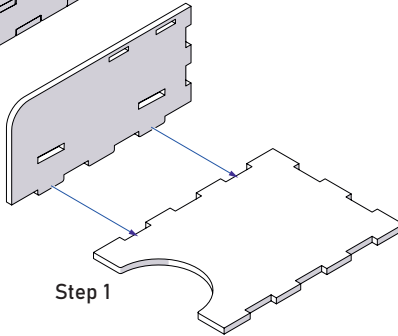
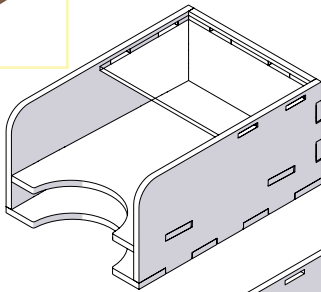
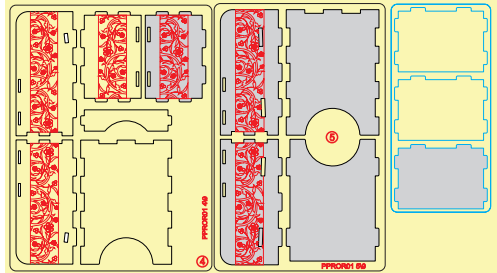
Compatible with Pax Pamir® 2nd Edition board game
Assembly Guide

Cardholder 2

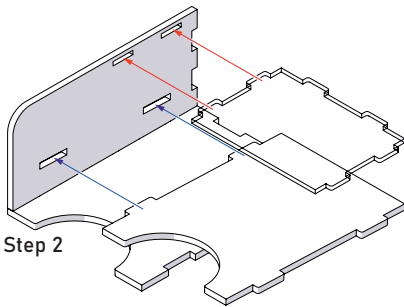


Intended for 50
Court cards and 16
Event cards.

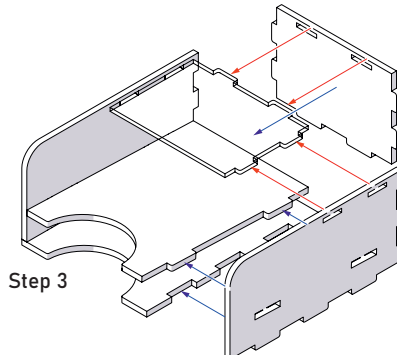
Sheets 4,5, Acrylic Sheet 3



Step 1



Step 2



Step 3

Until the glue has completely dried, make sure the lid fits the tray and can be easily removed. Put it back in its place on the tray. Only then carefully remove the protective covering.



ONE SMART BOX Pax Pamir® Organizer

PPROR01

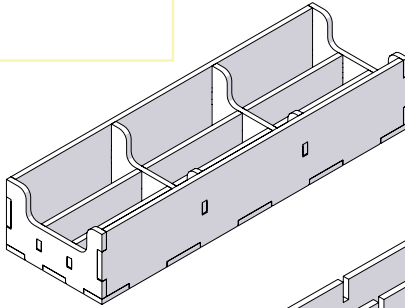
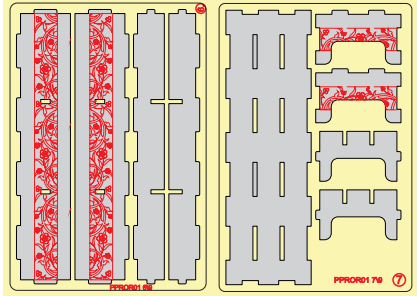
Compatible with Pax Pamir® 2nd Edition board game
Assembly Guide

Coalition Tray

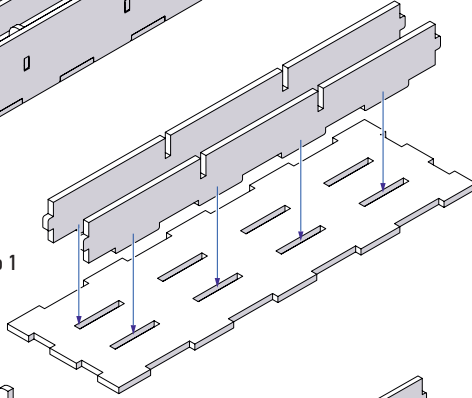
Intended for
Coalition blocks.



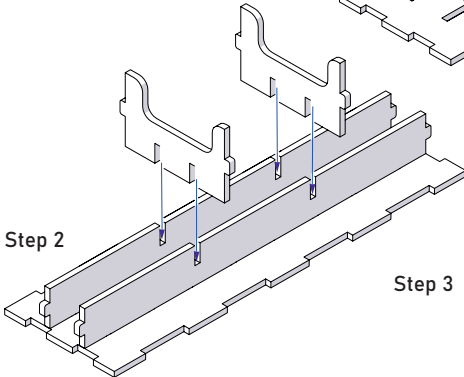
Sheets 6, 7



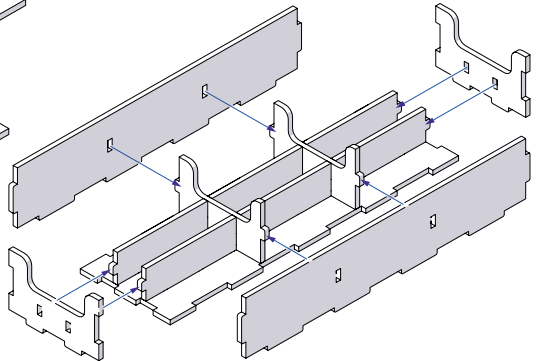
Step 1



Step 2



Step 3





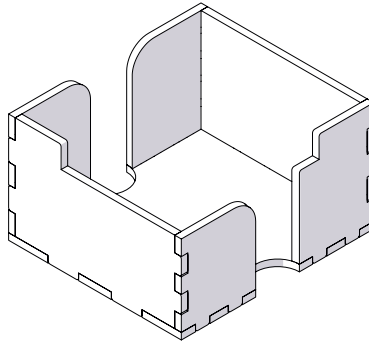
ONE SMART BOX Pax Pamir® Organizer

PPROR01

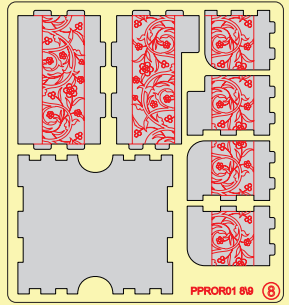
Compatible with Pax Pamir® 2nd Edition board game
Assembly Guide

Loyalty Disc Tray

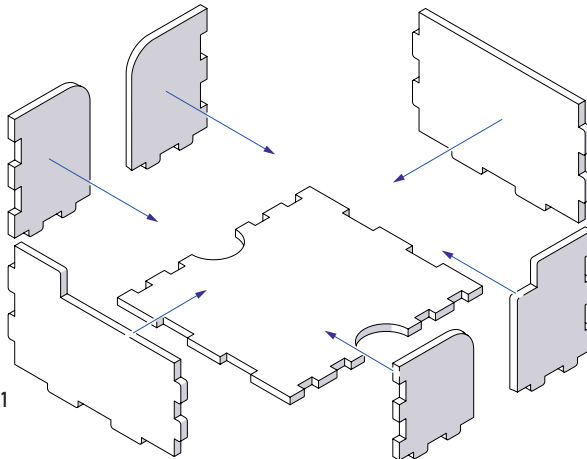
Intended for Loyalty discs.



Sheet 8



Step 1





ONE SMART BOX Pax Pamir® Organizer

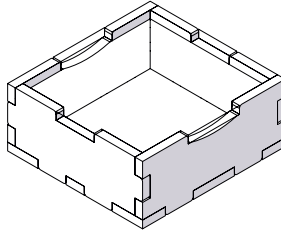
PPR0R01

Compatible with Pax Pamir® 2nd Edition board game
Assembly Guide

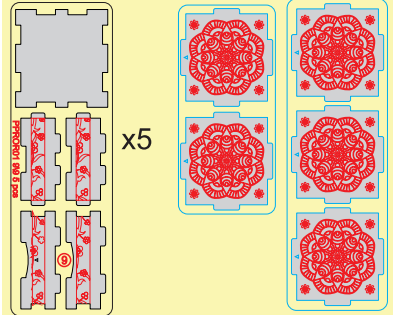
Player Trays *5



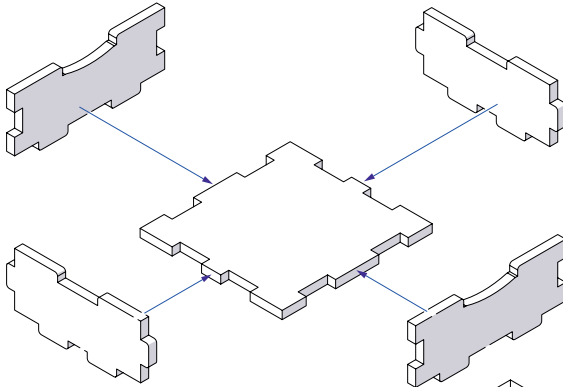
Intended for
Player's cylinders.



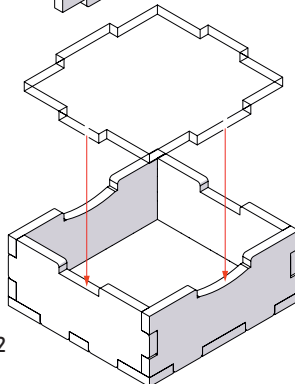
Sheets 9x5, Acrylic Sheets 1, 2



Please mind that the triangle
indicators on the coverings
and the boxes should be on
the same side.

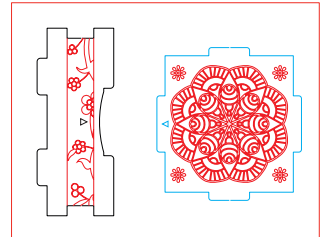


Step 1



Step 2

Until the glue has completely
dried, make sure the lid fits the
tray and can be easily removed.
Put it back in its place on the tray.
Only then carefully remove the
protective covering.





ONE SMART BOX

Some other SMONEX products:
Roll Player® Organizer RPOR01



Teotihuacan® Organizer TNOR01





ONE SMART BOX

Welcome to <https://smonex.com>.

If something is damaged or broken, please do not return the whole set. Contact us directly on email info@smonex.com or our website smonex.com.

Any questions or issues with the Smonex products, we'll do our best to help you. Your satisfaction of it is our top priority.

Thanks for choosing Smonex product. We would be grateful for your feedback, which inspires us and helps to develop further. We'll gladly help you on any matter if you contact us on info@smonex.com.

Share your photos with **#smonex** and follow us for all the updates:



<https://www.facebook.com/Smonexcom>

https://www.instagram.com/smonex_com/

https://twitter.com/Smonex_com

https://www.pinterest.com/smonex/_shop/

<https://www.youtube.com/c/SmonexSmartOneBox>



Scan QR-code to visit or follow Smonex.