



ONE SMART BOX

Praga Caput Regni® Organizer

PAOR01

Compatible with Praga Caput Regni® board game

Assembly Guide



<https://smonex.com>

Created for:

- Praga Caput Regni board game

NOT A CHILDREN TOY

AGE 14+

Praga Caput Regni® is a registered trademark of Delicious Games. Any mention of Praga Caput Regni® is for reference purposes only. ALL RIGHTS RESERVED by their respective trademark holders. No challenge to any intellectual property rights is intended or implied by representations of compatibility and no endorsements of any of our products by any other company is implied or represented.



ONE SMART BOX

Praga Caput Regni® Organizer PAOR01

Compatible with Praga Caput Regni® board game
Assembly Guide

Tips and tricks

- To assemble each tray you need a wood glue for extra strength. (We recommend Titebond 2 Wood Glue or Beacon 527).
- Please make sure you assembled each tray correctly before gluing it together.
- Use stationery knife to cut the bits that connect details to the frame.
- Remove the details from the frame with a rotational motion along the axis formed by the bits you just cut.
- Use stationery knife and sandpaper to remove all the remaining connection bits.
- Please note that the engraving must be on the outside of the boxes.
- You may fix the box with rubber bands after gluing it. This will save you time and simplify the assembly.
- Make sure to remove the protective covering from BOTH sides of the acrylic pieces. Use a hairdryer for easier removal of it if necessary. Just heat the acrylic surface a little to remove the covering much easier!
- Leave your finished insert overnight to dry completely.

Assembly Supplies



Wood-glue



Stationery knife



Hammer



Cotton swab



Rubber bands



Hairdryer

If something is damaged or broken, please do not return the whole set. Contact us directly on email info@smonex.com or our website smonex.com. Any questions or issues with the Smonex products, we'll do our best to help you. We want our customers to be completely satisfied.

IMPORTANT: Assemble each tray one by one. Please DO NOT take out all the parts from the sheets and mix them. Even though some parts look similar, they are not interchangeable.



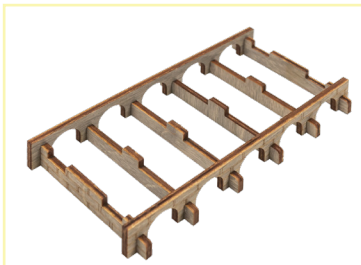
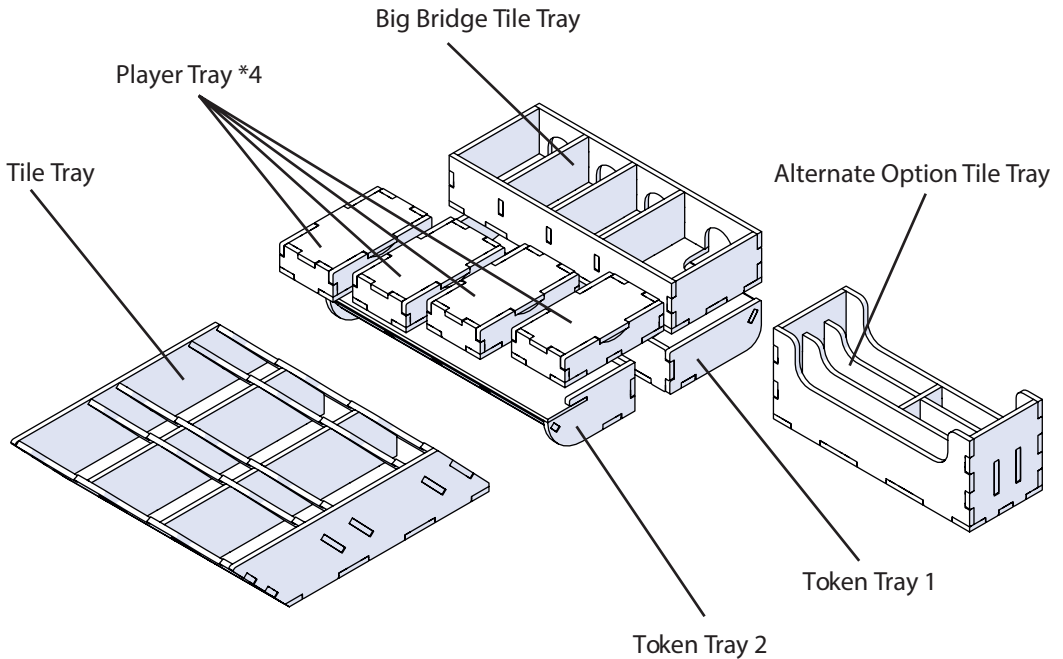
ONE SMART BOX

Praga Caput Regni® Organizer

PAOR01

Compatible with Praga Caput Regni® board game

Assembly Guide



Charles Bridge



ONE SMART BOX

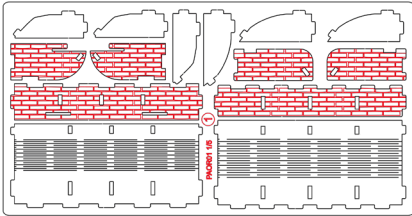
Praga Caput Regni® Organizer PAOR01

Compatible with Praga Caput Regni® board game
Assembly Guide

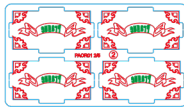
Brief assembly instructions:

1. Unpack and arrange the sheets in order.
2. Compare details on the sheets with details in the pictures of the guide.
3. Study the pictures of unassembled product.
4. Start your assembly, taking the necessary parts out of the sheets in a certain order.

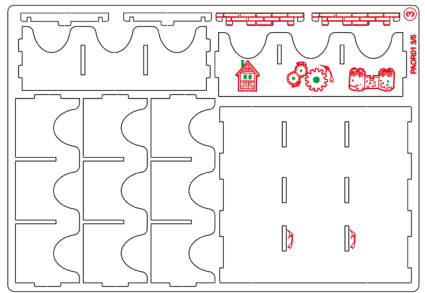
Sheet 1



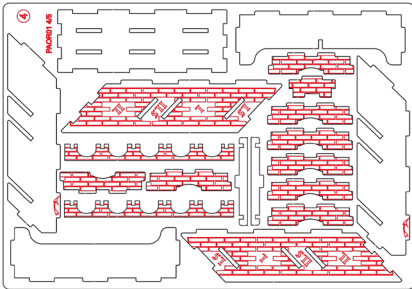
Sheet 2



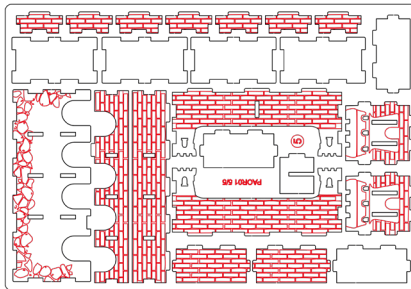
Sheet 3



Sheet 4



Sheet 5



Acrylic Cover 1



Legend:

- Details to be extruded
- Details not used in this assembly
- Details to be glued
- Details to be connected without glue

Components:

- 4 sheets extrusion molds
 - 1 acrylic extrusion mold
 - 1 acrylic cover
 - 1 sandpaper for stripping parts
- Assembly guide



ONE SMART BOX

Praga Caput Regni® Organizer

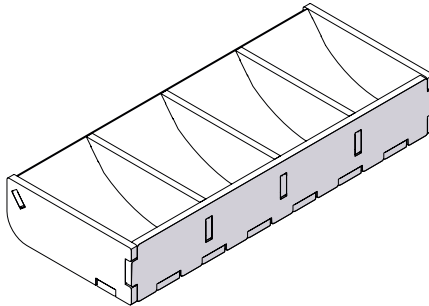
PAOR01

Compatible with Praga Caput Regni® board game

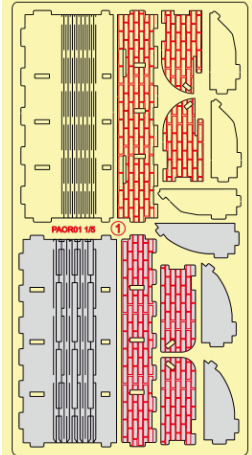
Assembly Guide

Token Tray 1

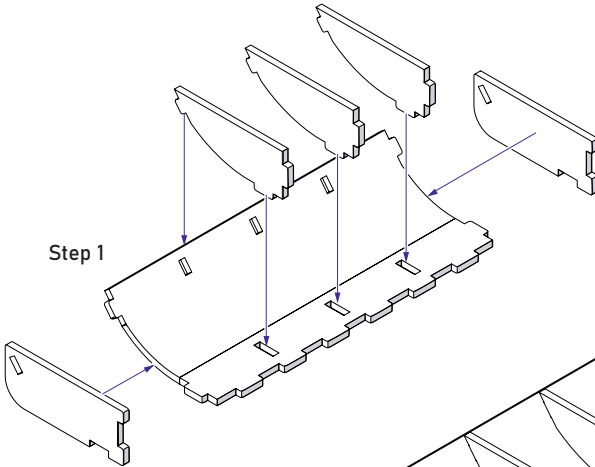
Intended for red and blue Bonus tokens.



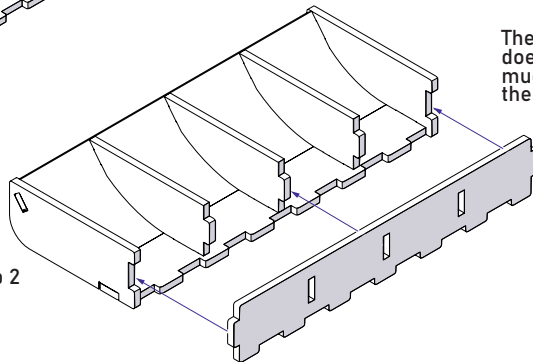
Sheet 1



Step 1



Step 2



The flexible bottom does not require too much strength to take the right shape.



ONE SMART BOX

Praga Caput Regni® Organizer

PAOR01

Compatible with Praga Caput Regni® board game

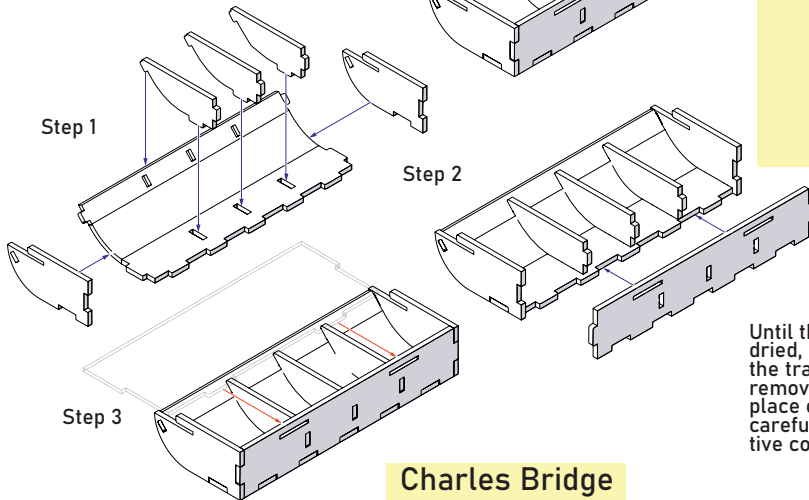
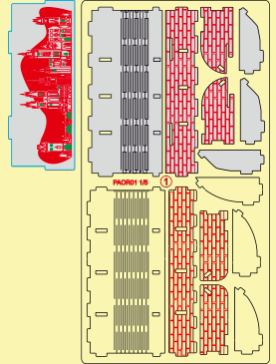
Assembly Guide

Token Tray 2

Intended for Production tokens, 5-point tokens, silver and gold windows, and eggs (also fits wooden promo eggs).



Sheet 1, Acrylic Cover

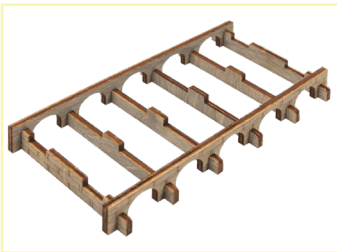


The flexible bottom does not require too much strength to take the right shape.

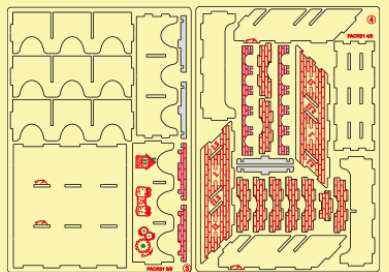
Until the glue has completely dried, make sure the lid fits the tray and can be easily removed. Put it back in its place on the tray. Only then carefully remove the protective covering.

Charles Bridge

Intended to replace the cardboard bridge. It's assembled just like the original one.



Sheets 3, 4





ONE SMART BOX

Praga Caput Regni® Organizer

PAOR01

Compatible with Praga Caput Regni® board game

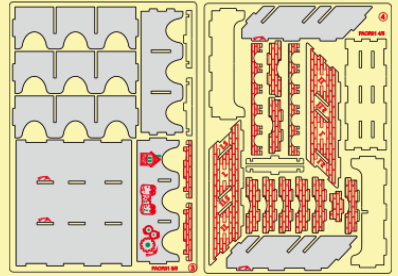
Assembly Guide

Tile Tray

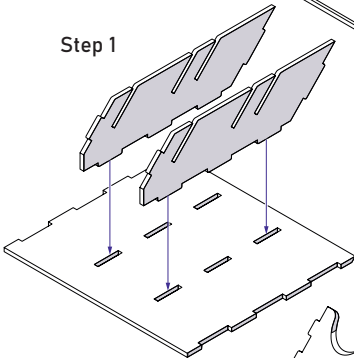
Intended for Upgrade, Wall and Building tiles.



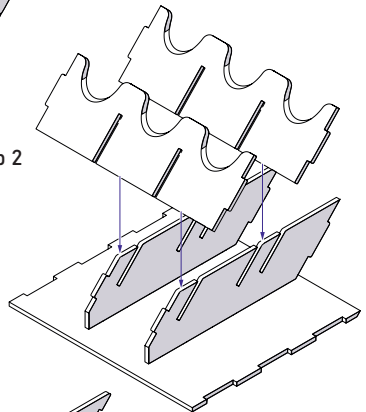
Sheets 3, 4



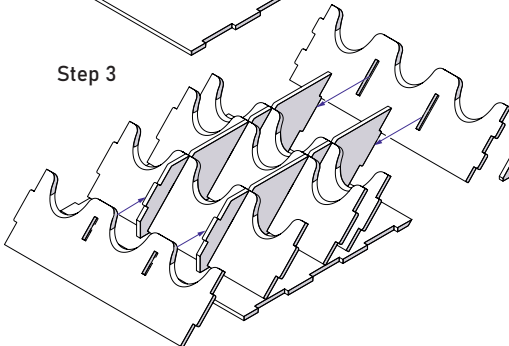
Step 1



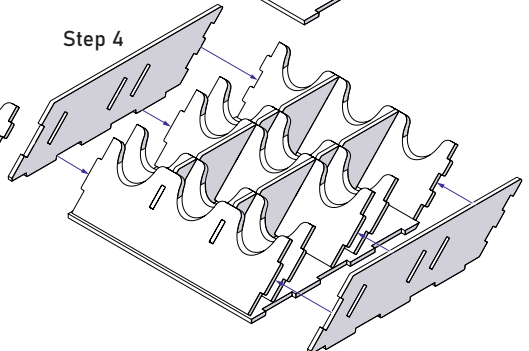
Step 2



Step 3



Step 4





ONE SMART BOX

Praga Caput Regni® Organizer

PAOR01

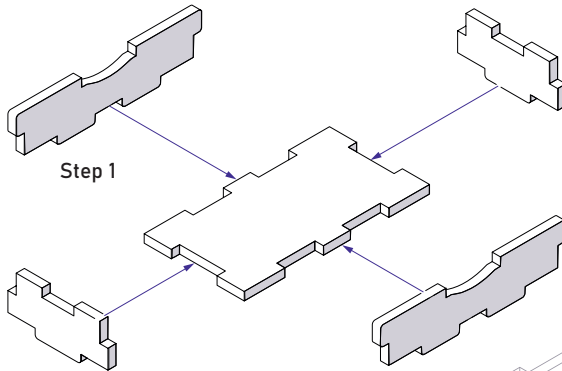
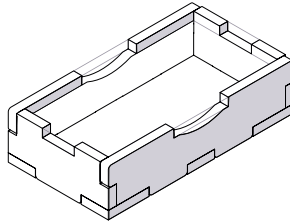
Compatible with Praga Caput Regni® board game

Assembly Guide

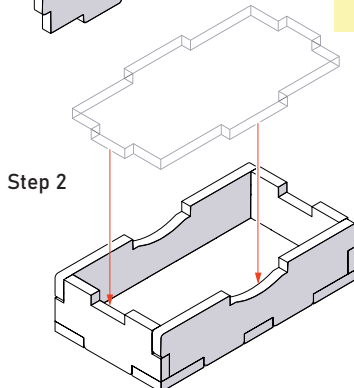
Player Trays *4



Intended for Score,
King's Road and
Cube markers.

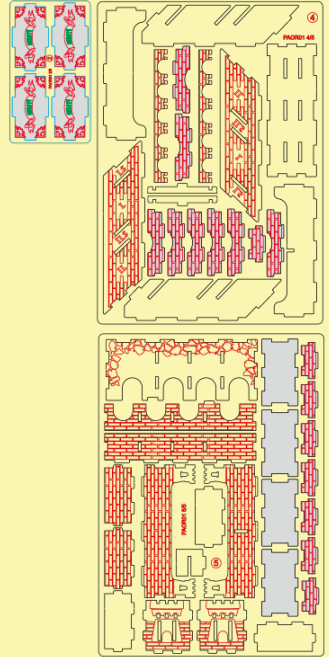


Step 1



Step 2

Sheets 2, 4, 5



Until the glue has completely dried, make sure the lid fits the tray and can be easily removed. Put it back in its place on the tray. Only then carefully remove the protective covering.



ONE SMART BOX

Praga Caput Regni® Organizer

PAOR01

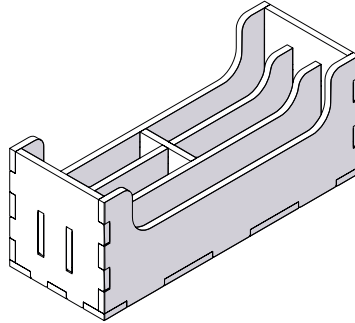
Compatible with Praga Caput Regni® board game

Assembly Guide

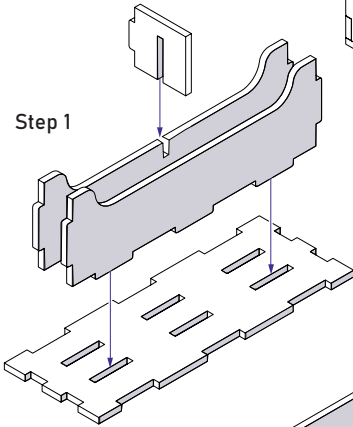
Alternate Option Tile Tray



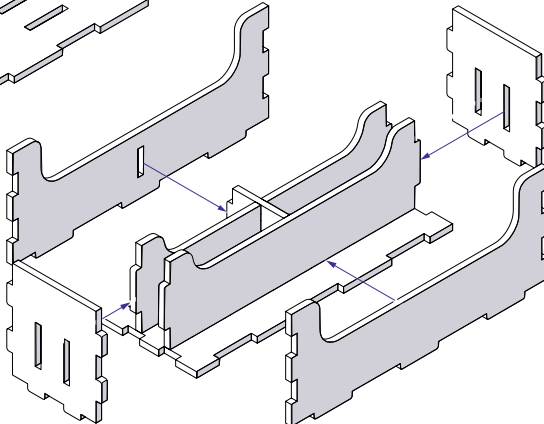
Intended for Hunger Wall, Cathedral and Technology tiles. The upper level tiles should be stored in the Cathedral.



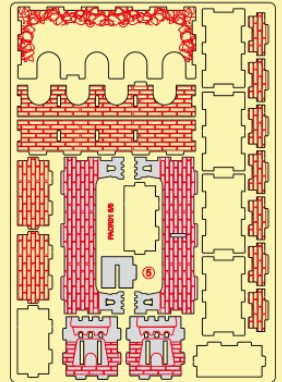
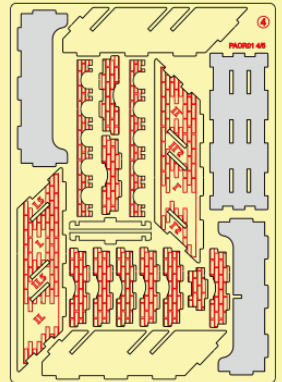
Step 1



Step 2



Sheets 4, 5





ONE SMART BOX

Praga Caput Regni® Organizer

PAOR01

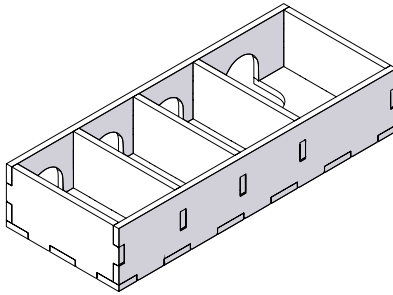
Compatible with Praga Caput Regni® board game

Assembly Guide

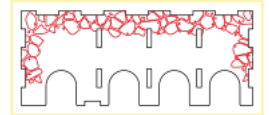
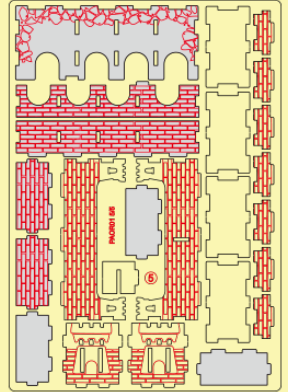
Big Bridge Tray



Intended for King's Road, Bridge, Plaza and Action tiles.

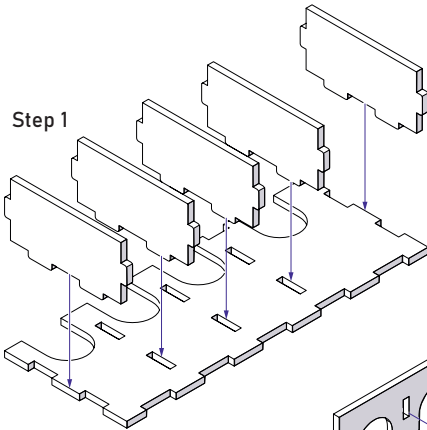


Sheet 5

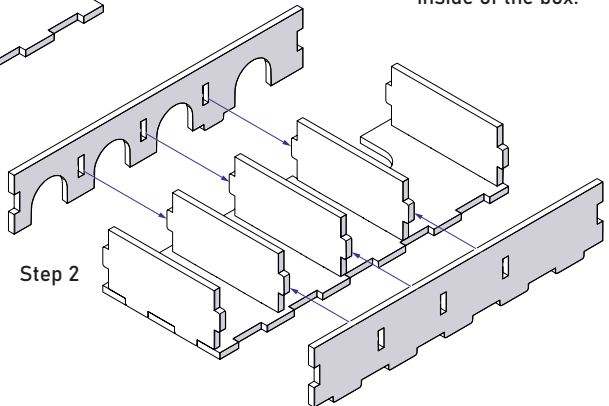


Please note that the engraving on the bottom piece should be on the inside of the box.

Step 1



Step 2





ONE SMART BOX

Praga Caput Regni® Organizer

PAOR01

Compatible with Praga Caput Regni® board game

Assembly Guide

Packing Your Organizer

Step 1



Step 2



Step 3



Step 4



Step 5



Step 6





ONE SMART BOX

Some other SMONEX products:

Maracaibo® Organizer M00R01

Twilight Struggle® Organizer TS0R01








Welcome to <https://smonex.com>.

If something is damaged or broken, please do not return the whole set. Contact us directly on email info@smonex.com or our website smonex.com. Any questions or issues with the Smonex products, we'll do our best to help you. Your satisfaction of it is our top priority.

Thanks for choosing Smonex product. We would be grateful for your feedback, which inspires us and helps to develop further. We'll gladly help you on any matter if you contact us on info@smonex.com.

Share your photos with **#smonex** and follow us for all the updates:

-  <https://www.facebook.com/Smonexcom>
-  https://www.instagram.com/smonex_com/
-  https://twitter.com/Smonex_com
-  https://www.pinterest.com/smonex/_shop/
-  <https://www.youtube.com/c/SmonexSmartOneBox>



Scan QR-code to visit or follow Smonex.