



# ONE SMART BOX Maracaibo® Organizer

MOOR01

Compatible with Maracaibo® base game,  
The Uprising Expansion and La Armada Promo Cards  
Assembly Guide



<https://smonex.com>

NOT A CHILDREN TOY  
**AGE 14+**

Created for:

- Maracaibo
- Maracaibo: The Uprising
- La Armada Promo cards

Maracaibo® is a registered trademark of Game's Up. Any mention of Maracaibo® is for reference purposes only. ALL RIGHTS RESERVED by their respective trademark holders. No challenge to any intellectual property rights is intended or implied by representations of compatibility and no endorsements of any of our products by any other company is implied or represented.



# ONE SMART BOX Maracaibo® Organizer

M0OR01

Compatible with Maracaibo® base game,  
The Uprising Expansion and La Armada Promo Cards  
Assembly Guide

## Tips and tricks

- To assemble each tray you need a wood glue for extra strength. (We recommend Titebond 2 Wood Glue or Beacon 527).
- Please make sure you assembled each tray correctly before gluing it together.
- Use stationery knife to cut the bits that connect details to the frame.
- Remove the details from the frame with a rotational motion along the axis formed by the bits you just cut.
- Use stationery knife and sandpaper to remove all the remaining connection bits.
- Please note that the engraving must be on the outside of the boxes.
- You may fix the box with rubber bands after gluing it. This will save you time and simplify the assembly.
- Make sure to remove the protective covering from BOTH sides of the acrylic pieces. Use a hairdryer for easier removal of it if necessary. Just heat the acrylic surface a little to remove the covering much easier!
- Leave your finished insert overnight to dry completely.

## Assembly Supplies



Wood-glue



Stationery knife



Hammer



Cotton swab



Rubber bands



Hairdryer

If something is damaged or broken, please do not return the whole set. Contact us directly on email [info@smonex.com](mailto:info@smonex.com) or our website [smonex.com](http://smonex.com). Any questions or issues with the Smonex products, we'll do our best to help you. We want our customers to be completely satisfied.

**IMPORTANT:** Assemble each tray one by one. Please DO NOT take out all the parts from the sheets and mix them. Even though some parts look similar, they are not interchangeable.

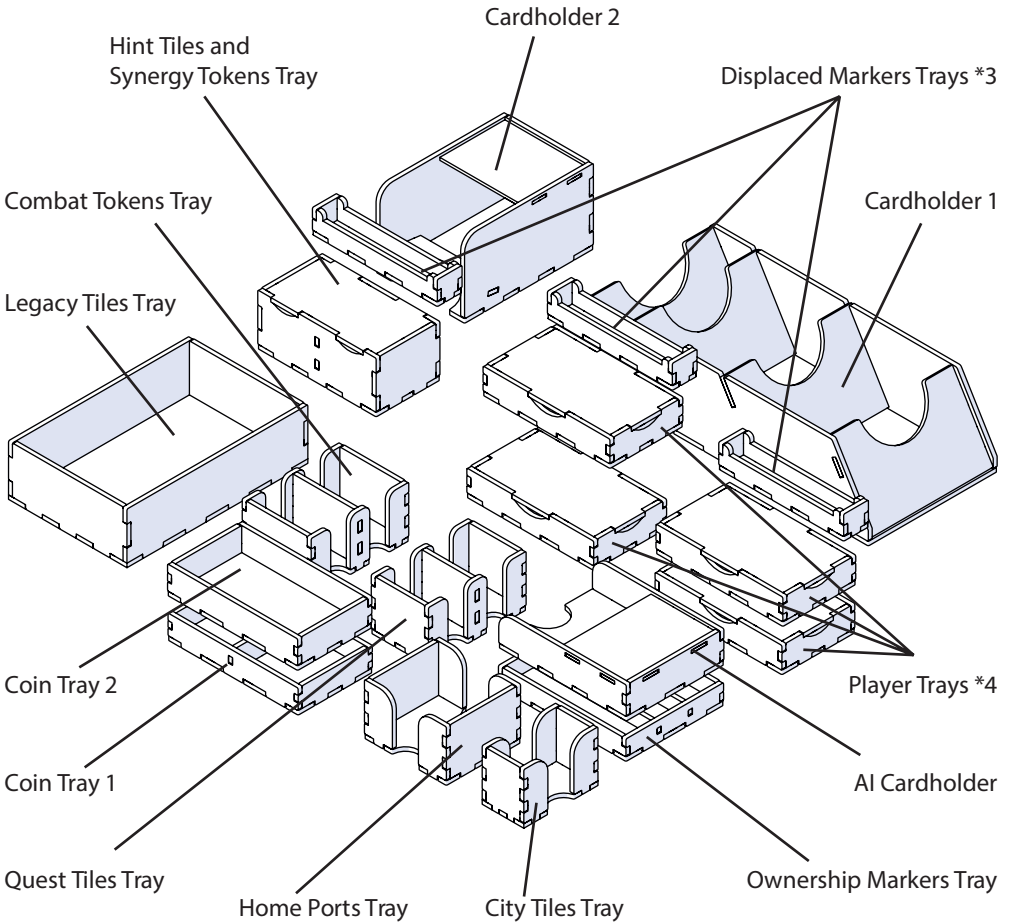


# ONE SMART BOX

## Maracaibo® Organizer

M0OR01

Compatible with Maracaibo® base game,  
The Uprising Expansion and La Armada Promo Cards  
Assembly Guide







# ONE SMART BOX

## Maracaibo® Organizer

M0OR01

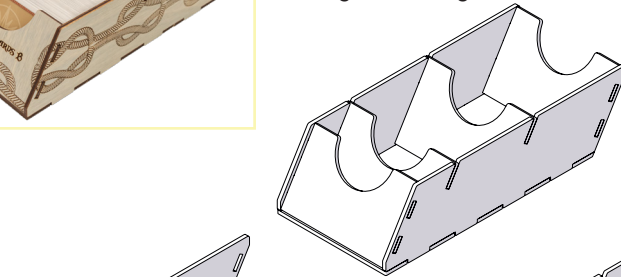
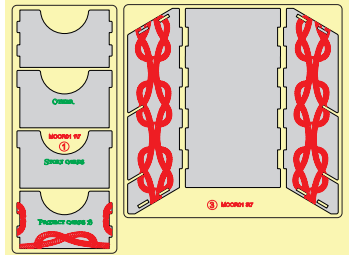
Compatible with Maracaibo® base game,  
The Uprising Expansion and La Armada Promo Cards  
Assembly Guide

### Cardholder 1

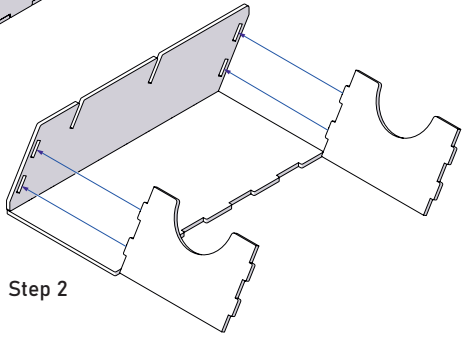
Intended for Story cards,  
Project cards B,  
Career Cards,  
La Armada Promo Cards and  
Prestige Buildings.



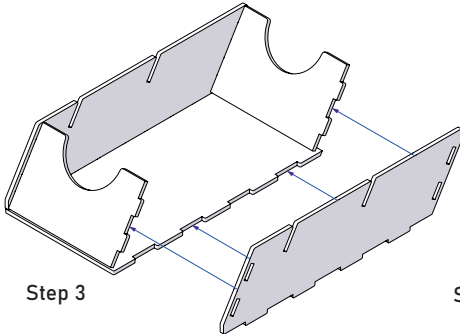
Sheets 1, 3



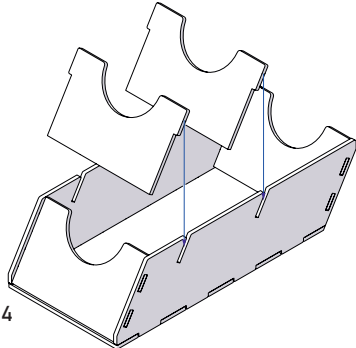
Step 1



Step 2



Step 3



Step 4



# ONE SMART BOX Maracaibo® Organizer

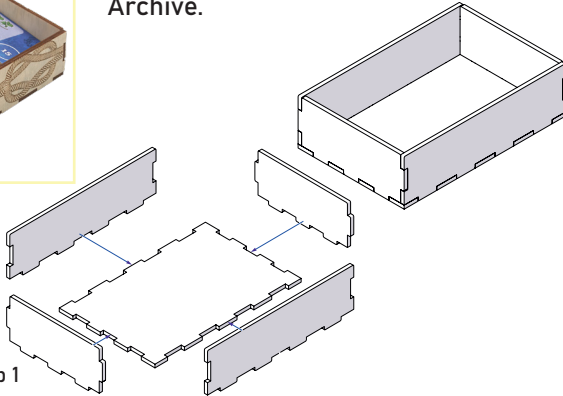
M0OR01

Compatible with Maracaibo® base game,  
The Uprising Expansion and La Armada Promo Cards  
Assembly Guide

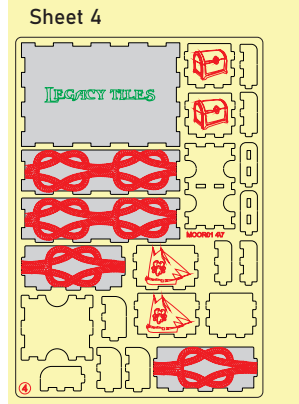
## Legacy Tiles Tray



Intended for Legacy tiles and Archive.



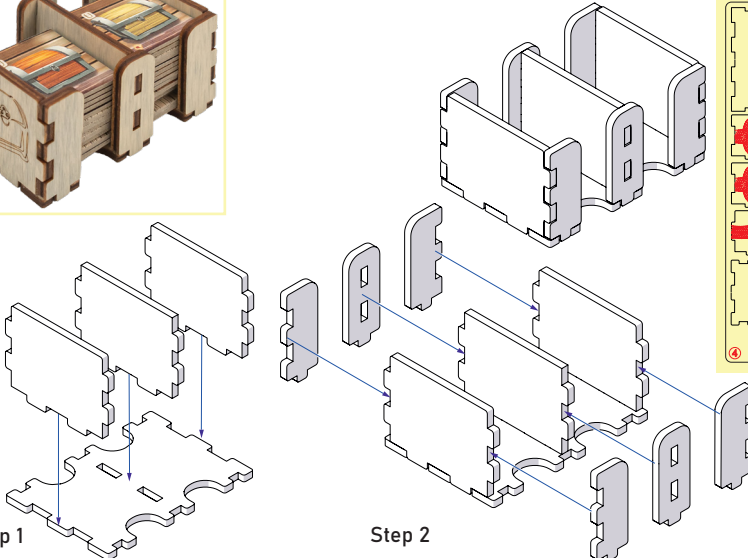
Step 1



## Quest Tiles Tray

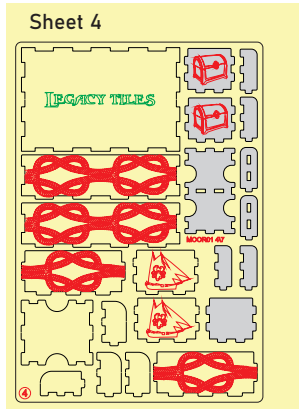


Intended for Quest and Story tiles.



Step 1

Step 2





# ONE SMART BOX Maracaibo® Organizer

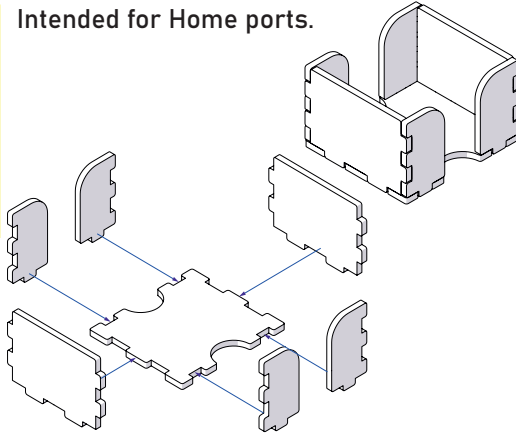
M0OR01

Compatible with Maracaibo® base game,  
The Uprising Expansion and La Armada Promo Cards  
Assembly Guide

## Home Ports Tray

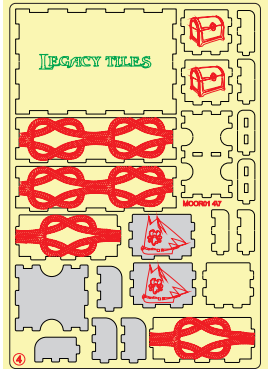


Intended for Home ports.



Step 1

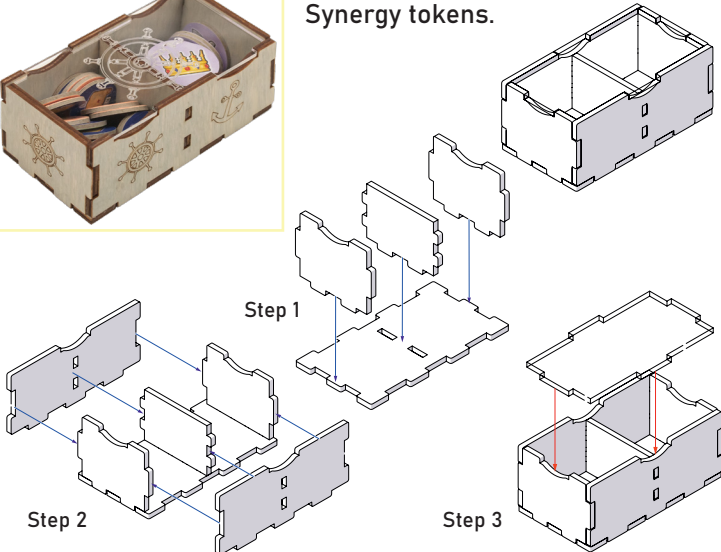
Sheet 4



## Hint Tiles and Synergy Tokens Tray



Intended for Hint tiles and  
Synergy tokens.

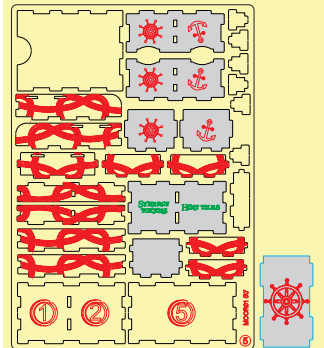


Step 1

Step 2

Step 3

Sheet 5, Acrylic Cover 2



Until the glue has completely dried, make sure the lid fits the tray and can be easily removed. Put it back in its place on the tray. Only then carefully remove the protective covering.





# ONE SMART BOX Maracaibo® Organizer

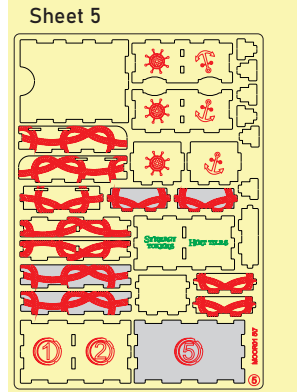
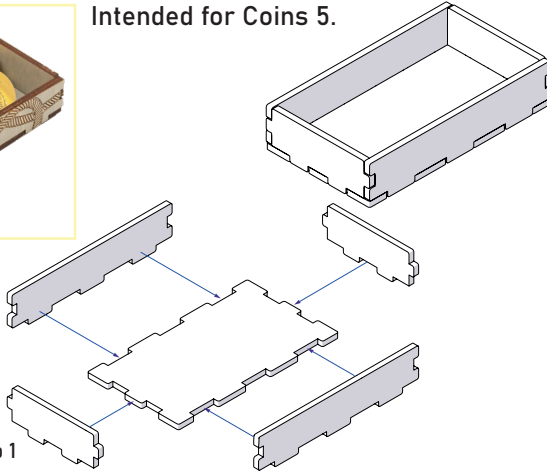
MOOR01

Compatible with Maracaibo® base game,  
The Uprising Expansion and La Armada Promo Cards

## Assembly Guide

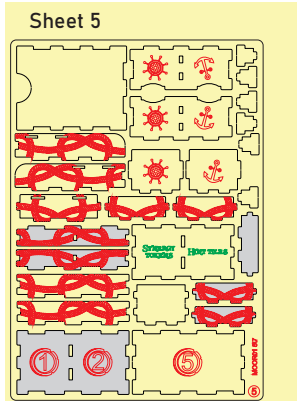
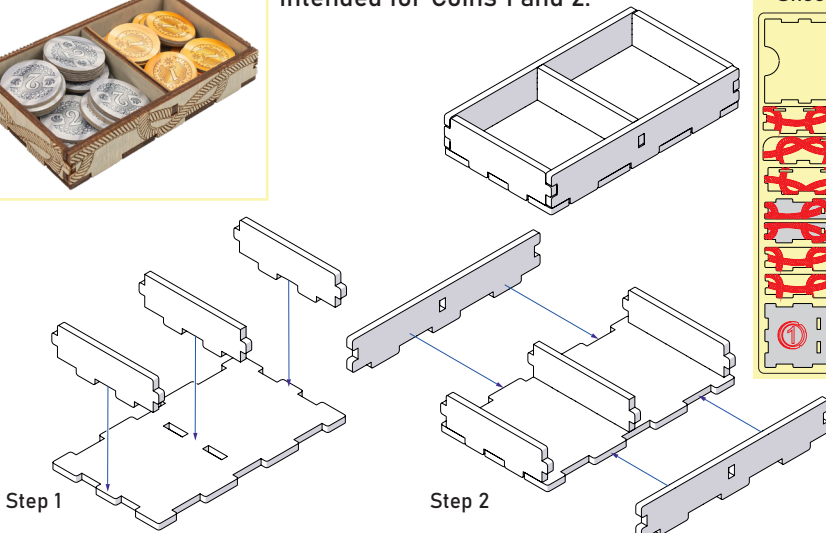
### Coin Tray 1

Intended for Coins 5.



### Coin Tray 2

Intended for Coins 1 and 2.







# ONE SMART BOX Maracaibo® Organizer

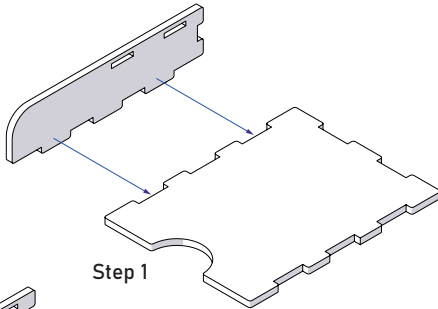
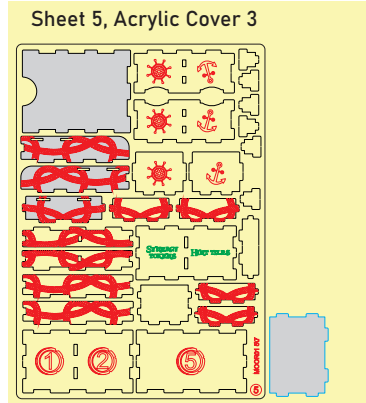
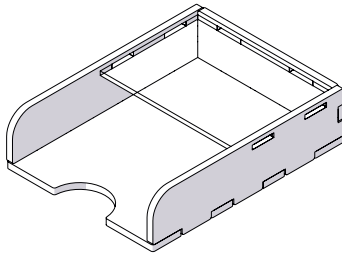
M0OR01

Compatible with Maracaibo® base game,  
The Uprising Expansion and La Armada Promo Cards  
Assembly Guide

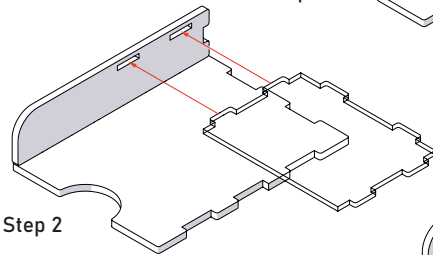
## AI Cardholder



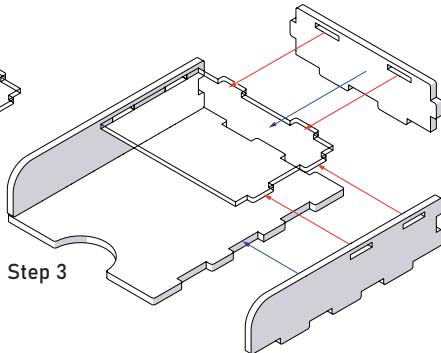
Intended for Automa cards  
and tiles.



Step 1



Step 2



Step 3

Until the glue has completely dried, make sure the lid fits the tray and can be easily removed. Put it back in its place on the tray. Only then carefully remove the protective covering.



# ONE SMART BOX Maracaibo® Organizer

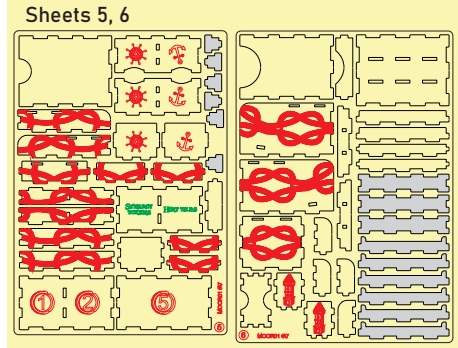
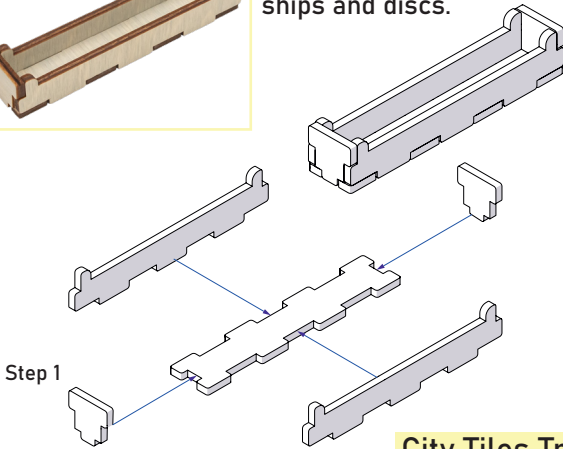
M0OR01

Compatible with Maracaibo® base game,  
The Uprising Expansion and La Armada Promo Cards  
Assembly Guide

## Displaced Markers Tray \*3



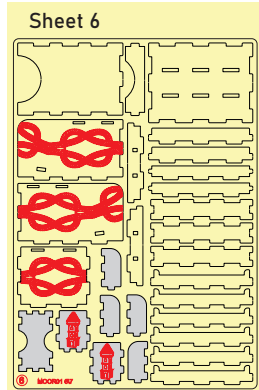
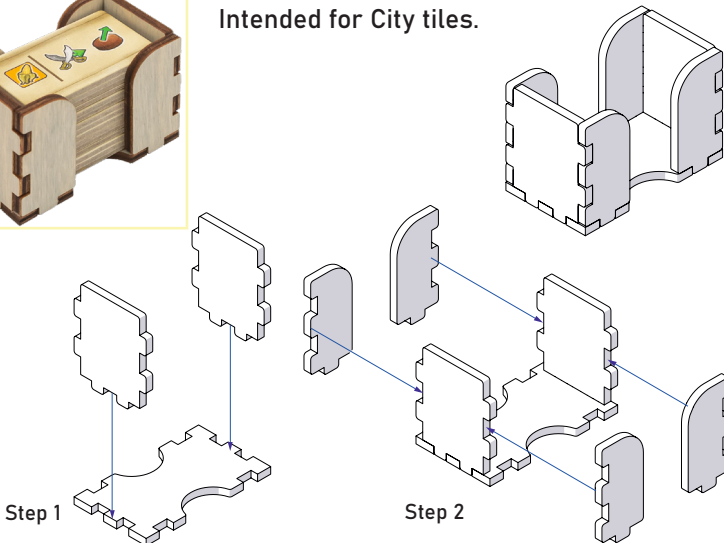
Intended for displaced  
Ownership markers,  
ships and discs.



## City Tiles Tray



Intended for City tiles.





# ONE SMART BOX Maracaibo® Organizer

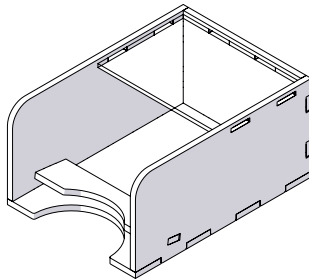
M0OR01

Compatible with Maracaibo® base game,  
The Uprising Expansion and La Armada Promo Cards

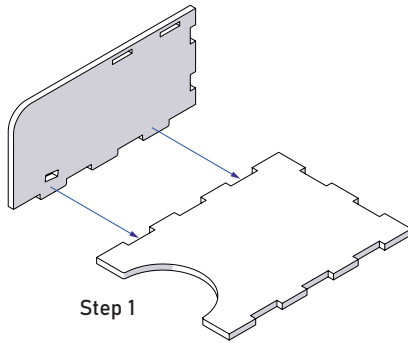
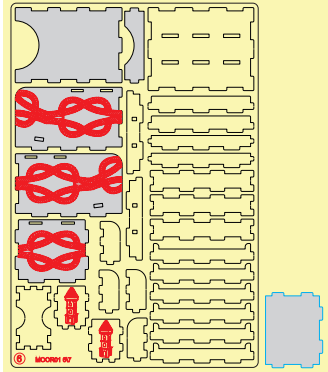
## Cardholder 2



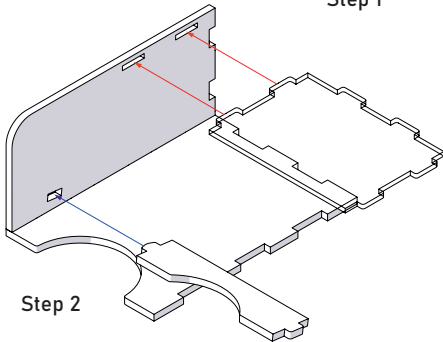
Intended for Project cards A and cards shuffled in the pile.



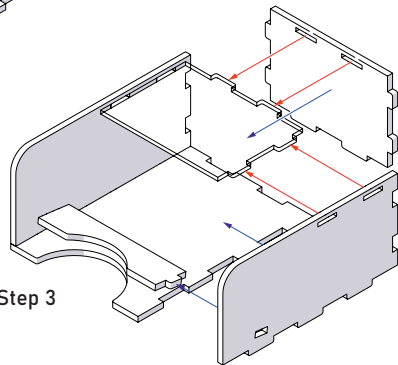
Sheet 6, Acrylic Cover 1



Step 1



Step 2



Step 3

Until the glue has completely dried, make sure the lid fits the tray and can be easily removed. Put it back in its place on the tray. Only then carefully remove the protective covering.



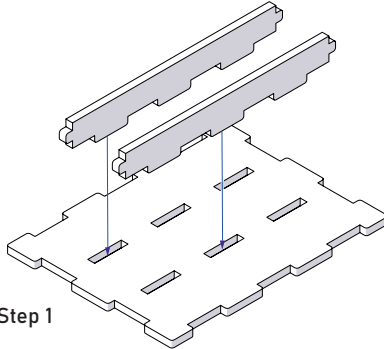
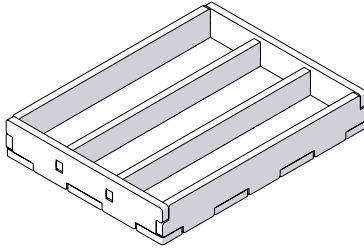
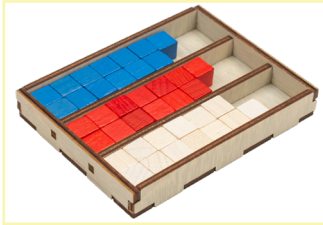
# ONE SMART BOX Maracaibo® Organizer

M0OR01

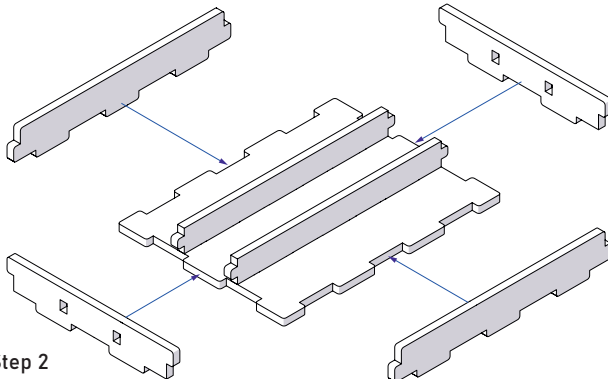
Compatible with Maracaibo® base game,  
The Uprising Expansion and La Armada Promo Cards  
Assembly Guide

## Ownership Markers Tray

Intended for Ownership markers.

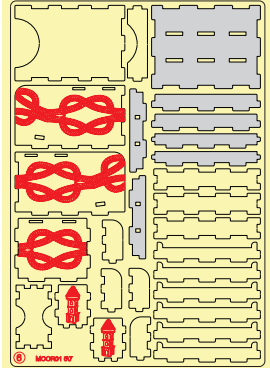


Step 1



Step 2

Sheet 6





# ONE SMART BOX Maracaibo® Organizer

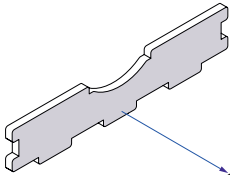
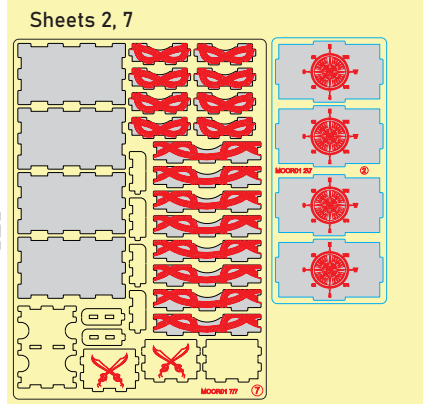
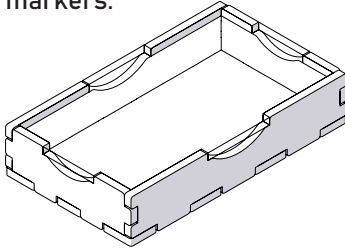
MOOR01

Compatible with Maracaibo® base game,  
The Uprising Expansion and La Armada Promo Cards

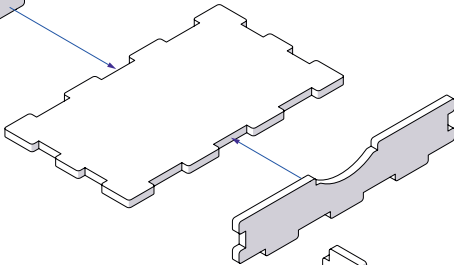
## Player Tray \*4



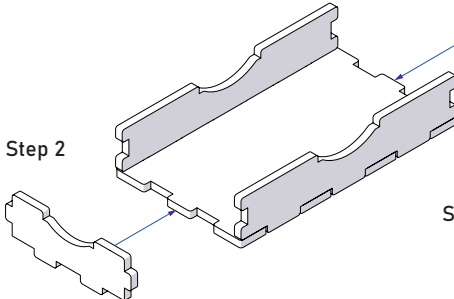
Intended for Influence markers, Figures, Ships, Victory Point markers, Explorers, Discs and markers.



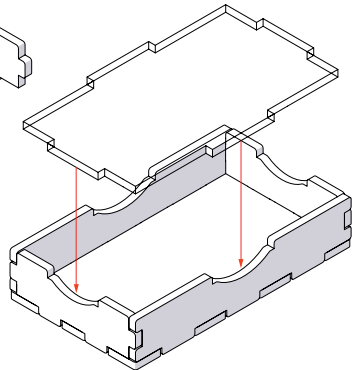
Step 1



Step 2



Step 3



Until the glue has completely dried, make sure the lid fits the tray and can be easily removed. Put it back in its place on the tray. Only then carefully remove the protective covering.



# ONE SMART BOX Maracaibo® Organizer

M0OR01

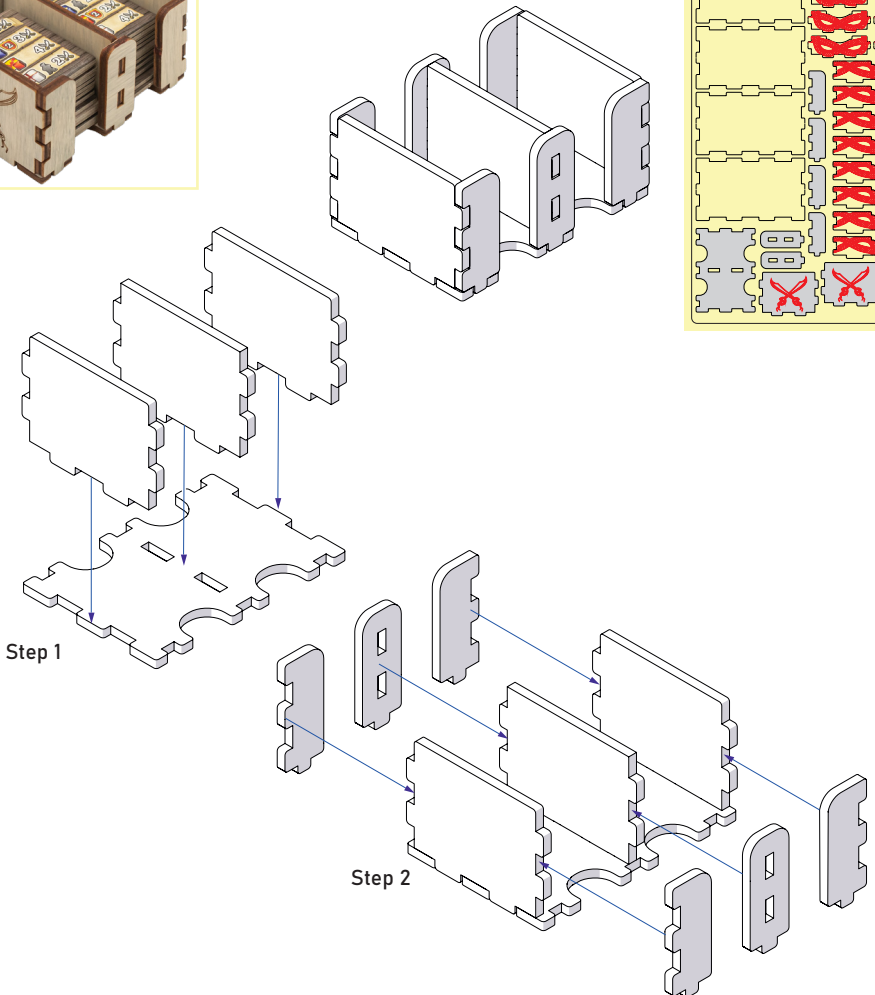
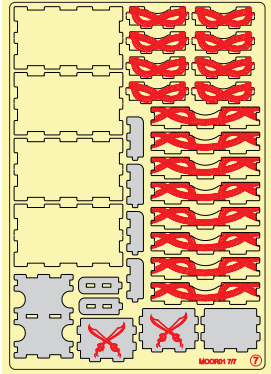
Compatible with Maracaibo® base game,  
The Uprising Expansion and La Armada Promo Cards  
Assembly Guide

## Combat Tokens Tray

Intended for Combat tokens.



Sheet 7





## ONE SMART BOX

Some other SMONEX products:  
Cyclades® Organizer CYSOR01



Splendor® Organizer SROR01







ONE SMART BOX

Welcome to <https://smonex.com>.

If something is damaged or broken, please do not return the whole set. Contact us directly on email [info@smonex.com](mailto:info@smonex.com) or our website [smonex.com](https://smonex.com).

Any questions or issues with the Smonex products, we'll do our best to help you. Your satisfaction of it is our top priority.

Thanks for choosing Smonex product. We would be grateful for your feedback, which inspires us and helps to develop further. We'll gladly help you on any matter if you contact us on [info@smonex.com](mailto:info@smonex.com).

Share your photos with **#smonex** and follow us for all the updates:



<https://www.facebook.com/Smonexcom>

[https://www.instagram.com/smonex\\_com/](https://www.instagram.com/smonex_com/)

[https://twitter.com/Smonex\\_com](https://twitter.com/Smonex_com)

[https://www.pinterest.com/smonex/\\_shop/](https://www.pinterest.com/smonex/_shop/)

<https://www.youtube.com/c/SmonexSmartOneBox>



Scan QR-code to visit or follow Smonex.