



ONE SMART BOX Lords of Waterdeep Organizer

LWDOR01

Compatible with Lords of Waterdeep® including all expansions
Assembly Guide



<https://smonex.com>

Created for:

- Lords of Waterdeep
- Lords of Waterdeep: Inevitable Betrayal Promo Card
- Lords of Waterdeep: Rapid Expansion Promo Card
- Lords of Waterdeep: Scoundrels of Skullport

NOT A CHILDREN TOY

AGE 14+

Lords of Waterdeep® is a registered trademark of Wizards of the Coast LLC. Any mention of Lords of Waterdeep® is for reference purposes only. ALL RIGHTS RESERVED by their respective trademark holders. No challenge to any intellectual property rights is intended or implied by representations of compatibility and no endorsements of any of our products by any other company is implied or represented.



ONE SMART BOX

Lords of Waterdeep Organizer

LWDOR01

Compatible with Lords of Waterdeep® including all expansions
Assembly Guide

Tips and tricks

- To assemble each tray you need a wood glue for extra strength. (We recommend Titebond 2 Wood Glue or Beacon 527)
- Please make sure you assembled each tray correctly before gluing it together.
- Use stationery knife to cut the bits that connect details to the frame.
- Remove the details from the frame with a rotational motion along the axis formed by the bits you just cut.
- Use stationery knife and sandpaper to remove all the remaining connection bits.
- You may fix the box with rubber bands after gluing it. This will save you time and simplify the assembly.
- Make sure to remove the protective covering from both sides of the acrylic pieces. Use a hairdryer for easier removal of it if necessary. Just heat the acrylic surface a little to remove the covering much easier!
- Leave your finished insert overnight to dry completely.

Assembly Supplies



Wood-glue



Stationery knife



Hammer



Cotton swab



Rubber bands



Hairdryer

If something is damaged or broken, please do not return the whole set. Contact us directly on email info@smonex.com or our website smonex.com. Any questions or issues with the Smonex products, we'll do our best to help you. We want our customers to be completely satisfied.

IMPORTANT: Assemble each tray one by one. Please DO NOT take out all the parts from the sheets and mix them. Even though some parts look similar, they are not interchangeable.

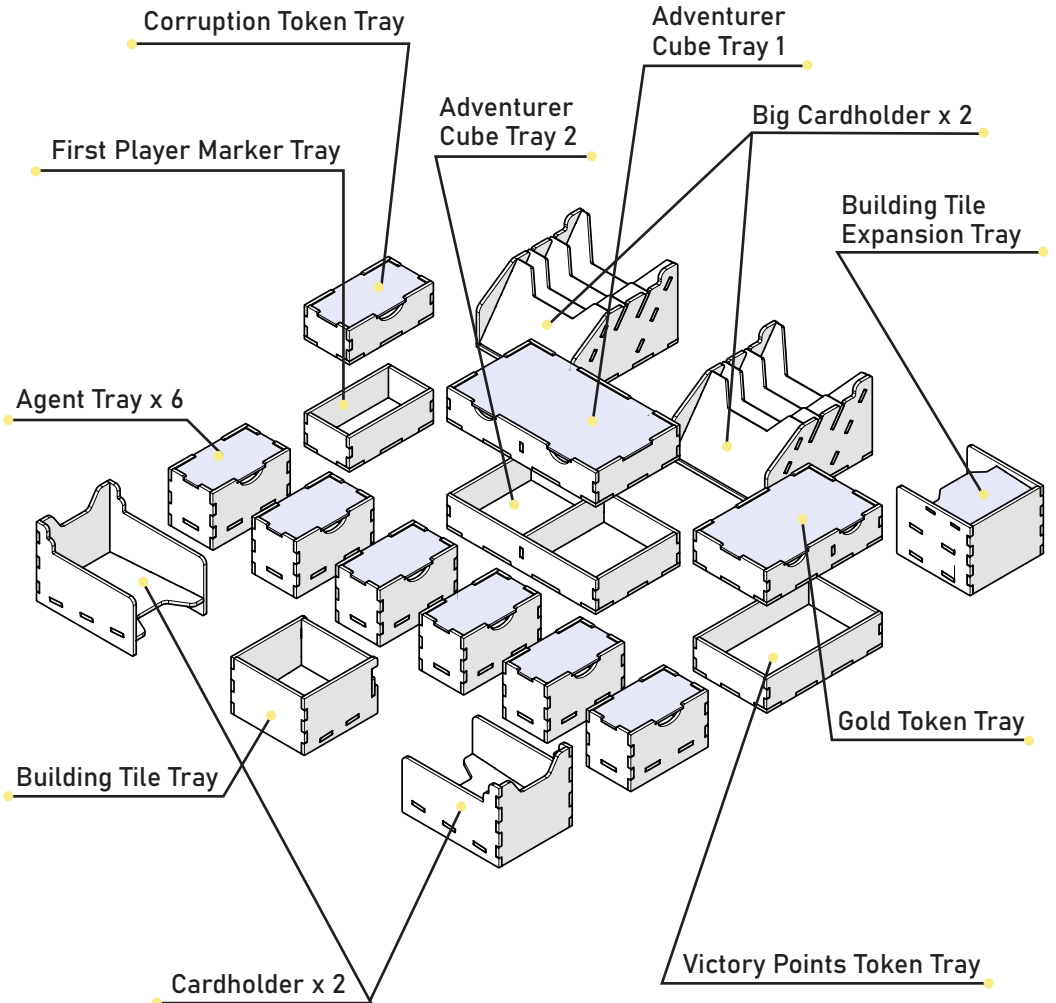


ONE SMART BOX

Lords of Waterdeep Organizer

LWDOR01

Compatible with Lords of Waterdeep® including all expansions
Assembly Guide





ONE SMART BOX

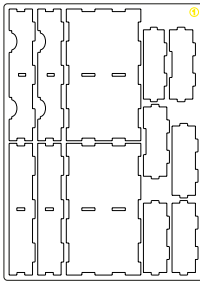
Lords of Waterdeep Organizer

LWDOR01

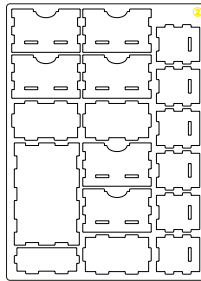
Compatible with Lords of Waterdeep® including all expansions
Assembly Guide

- Brief assembly instructions:**
1. Unpack and arrange the sheets in order.
 2. Compare details on the sheets with details in the pictures of the guide.
 3. Study the pictures of unassembled product.
 4. Start your assembly, taking the necessary parts out of the sheets in a certain order.

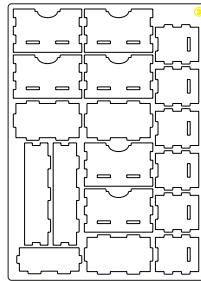
Sheet 1



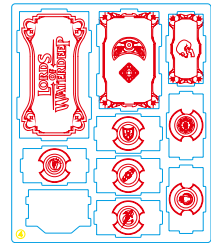
Sheet 2



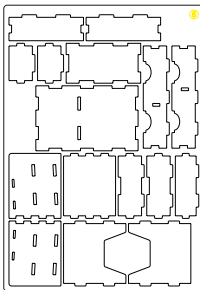
Sheet 3



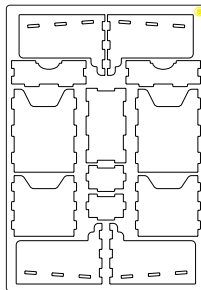
Sheets 4



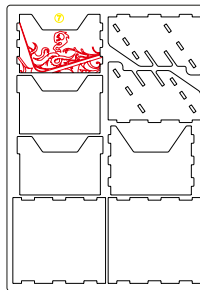
Sheet 5



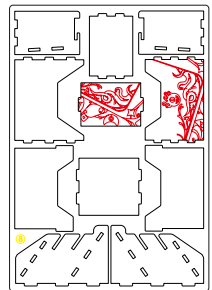
Sheet 6







Sheet 7



Sheet 8



Legend:

-  Highlighted details to be extruded
-  Details not used in this assembly
-  Details to be glued
-  Details to be connected without glue

Components:

- 7 sheets extrusion molds
- 1 acrylic sheet extrusion molds
- 1 sandpaper for stripping parts
- Assembly guide



ONE SMART BOX

Lords of Waterdeep Organizer

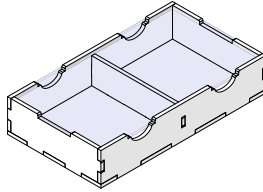
LWDOR01

Compatible with Lords of Waterdeep® including all expansions
Assembly Guide

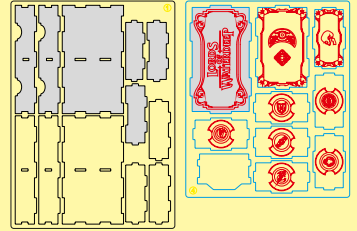
Adventurer Cube Tray 1



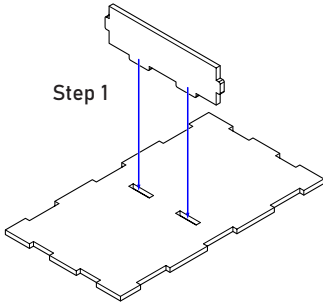
Intended for Adventurer Cubes.



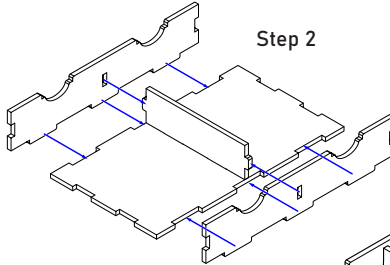
Sheets 1, 4



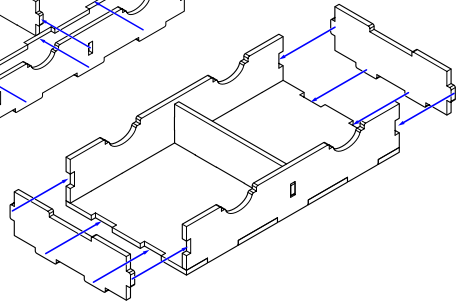
Step 1



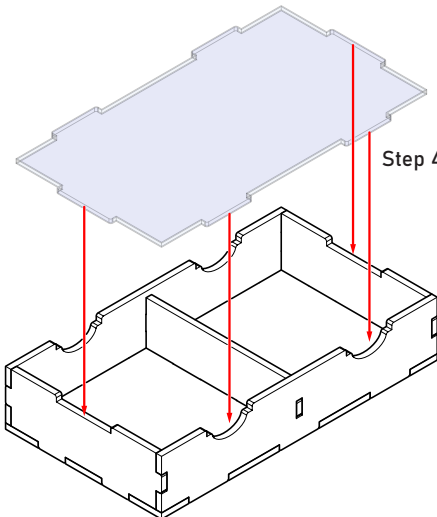
Step 2



Step 3



Step 4



Until the glue has completely dried, make sure the lid fits the tray and can be easily removed. Put it back in its place on the tray. Only then carefully remove the protective covering.



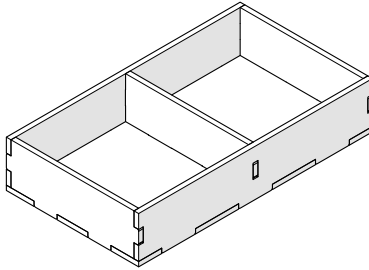
ONE SMART BOX

Lords of Waterdeep Organizer

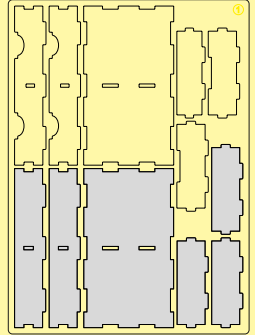
LWDOR01

Compatible with Lords of Waterdeep® including all expansions
Assembly Guide

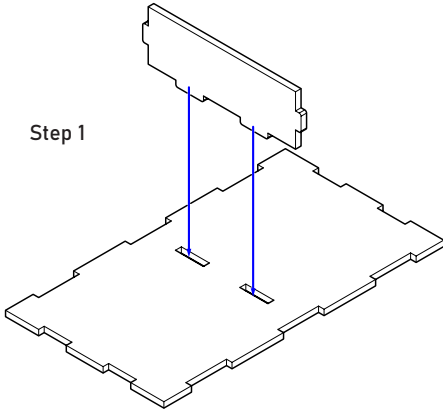
Adventurer Cube Tray 2



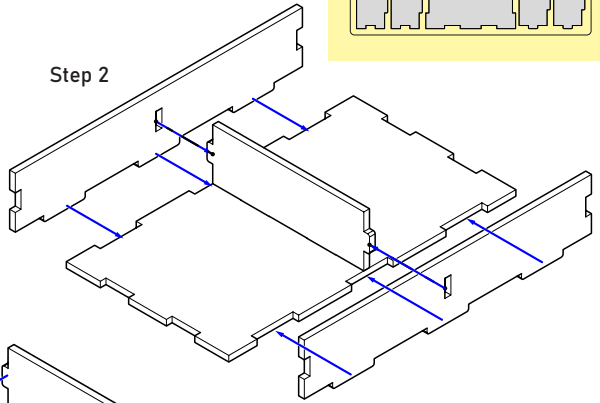
Sheet 1



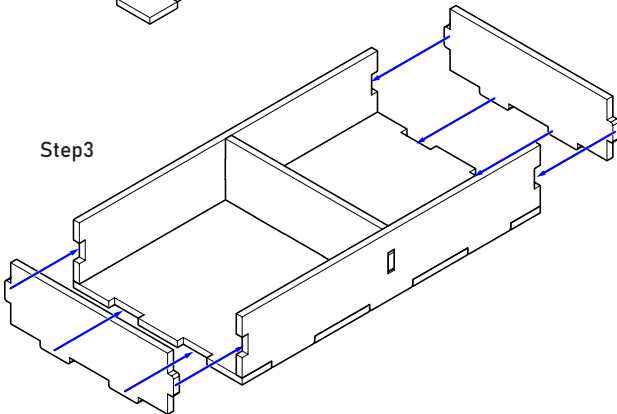
Step 1



Step 2



Step 3



Intended for Adventurer
Cubes.



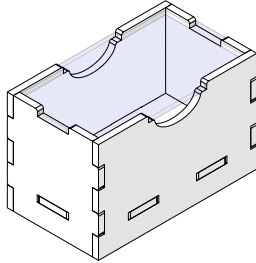
ONE SMART BOX

Lords of Waterdeep Organizer

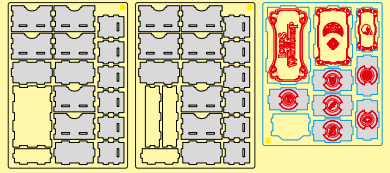
LWDOR01

Compatible with Lords of Waterdeep® including all expansions
Assembly Guide

Agent Tray *6

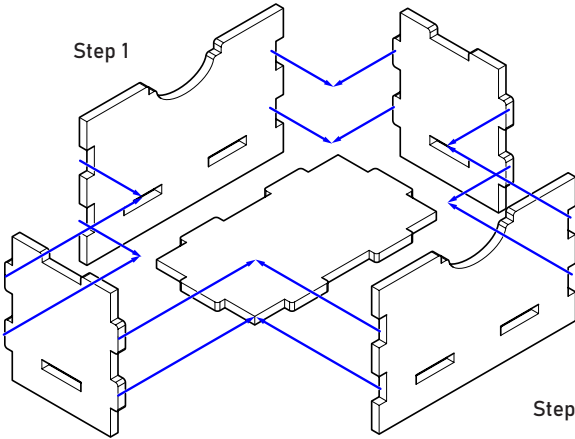


Sheets 2, 3, 4

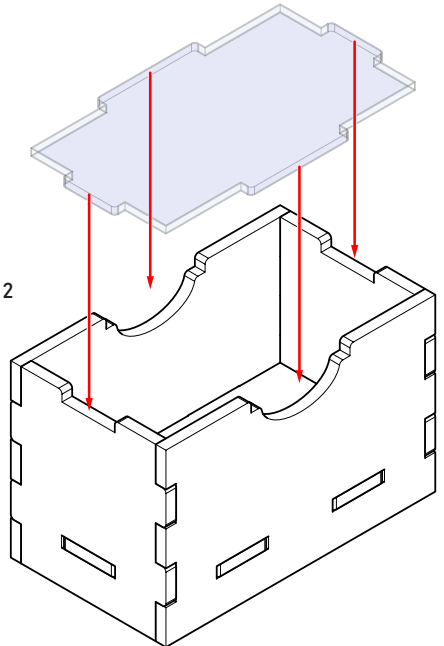


Intended for Agents.

Step 1



Step 2



Until the glue has completely dried, make sure the lid fits the tray and can be easily removed. Put it back in its place on the tray. Only then carefully remove the protective covering.



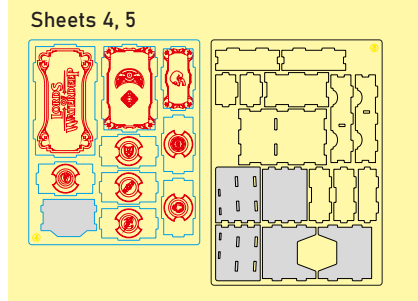
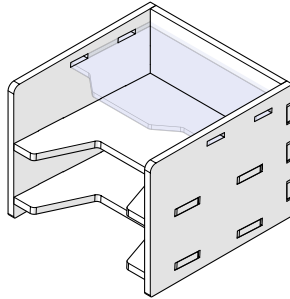
ONE SMART BOX

Lords of Waterdeep Organizer

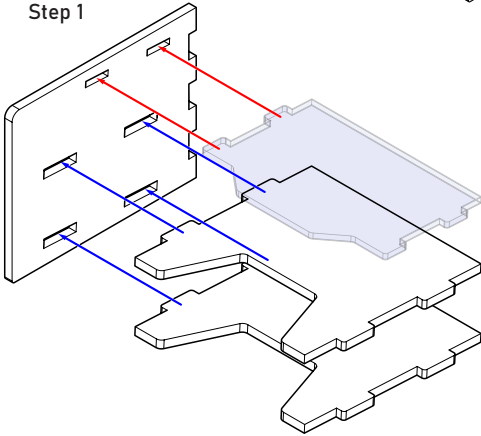
LWDOR01

Compatible with Lords of Waterdeep® including all expansions
Assembly Guide

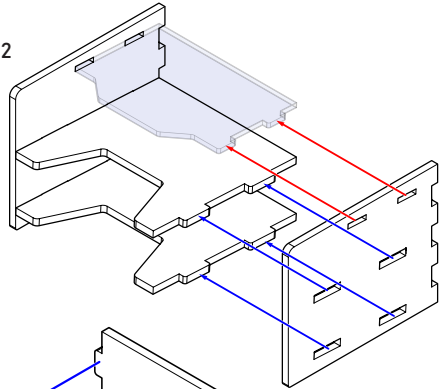
Building Tile Expansion Tray



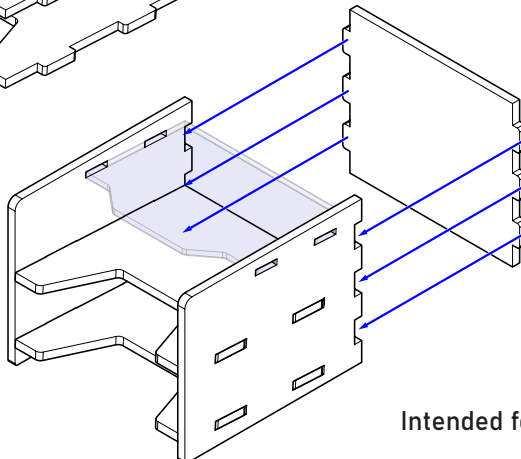
Step 1



Step 2



Step 3



Intended for Large Cards.



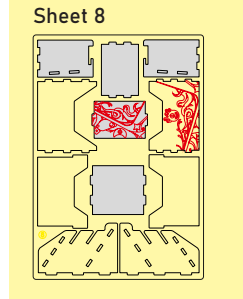
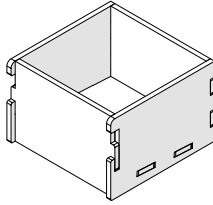
ONE SMART BOX

Lords of Waterdeep Organizer

LWDOR01

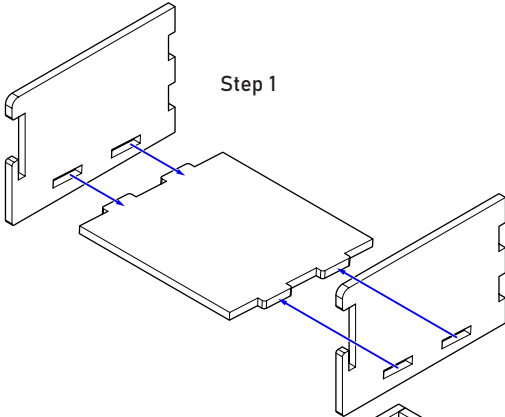
Compatible with Lords of Waterdeep® including all expansions
Assembly Guide

Building Tile Tray

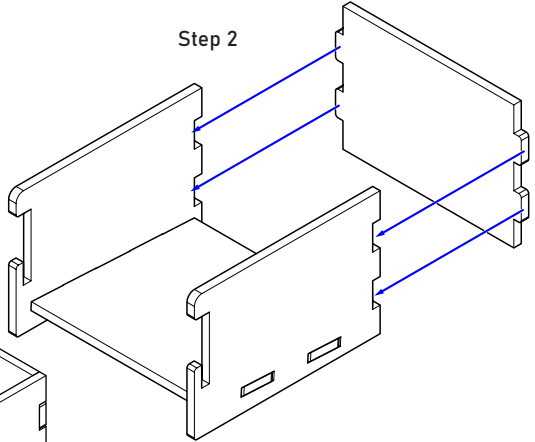


Intended for Building Tiles.

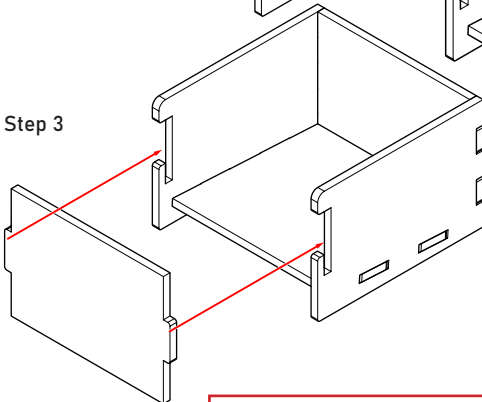
Step 1



Step 2



Step 3



Please note that the front part of the tray should not be glued.



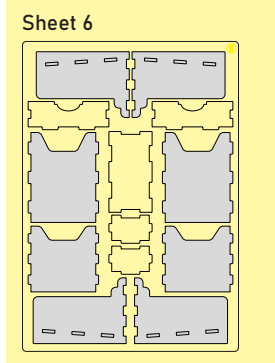
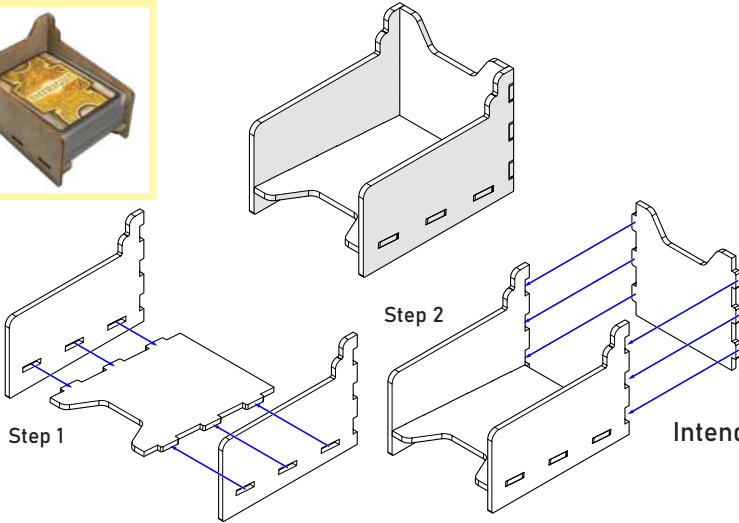
ONE SMART BOX

Lords of Waterdeep Organizer

LWDOR01

Compatible with Lords of Waterdeep® including all expansions
Assembly Guide

Cardholder *2

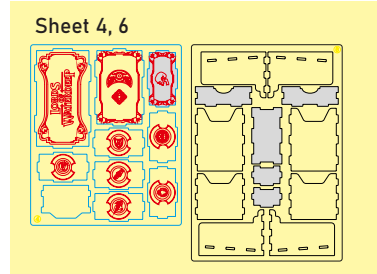
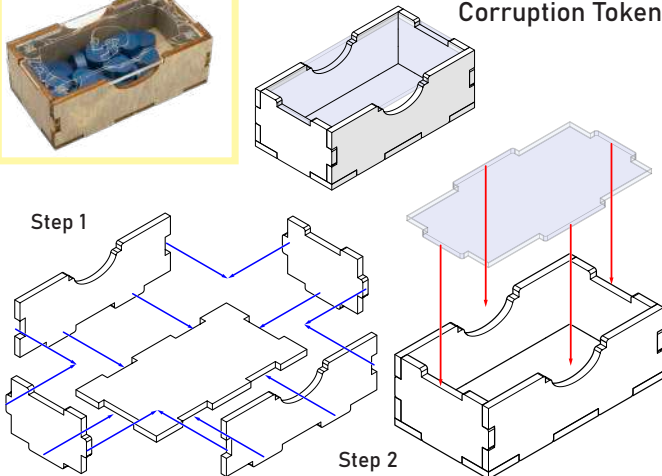


Intended for Intrigue Cards.

Corruption Token Tray



Intended for
Corruption Tokens.



Until the glue has completely dried, make sure the lid fits the tray and can be easily removed. Put it back in its place on the tray. Only then carefully remove the protective covering.



ONE SMART BOX

Lords of Waterdeep Organizer

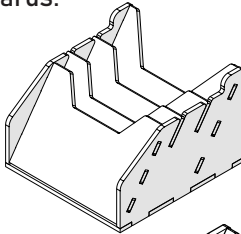
LWDOR01

Compatible with Lords of Waterdeep® including all expansions
Assembly Guide

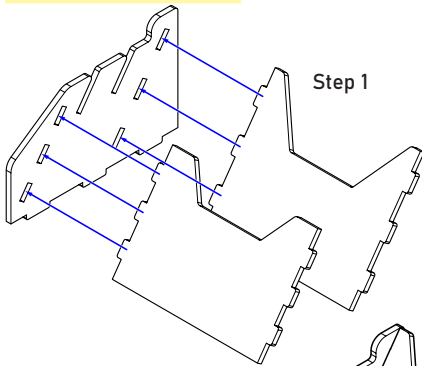
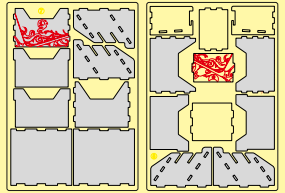
Big Cardholder x 2



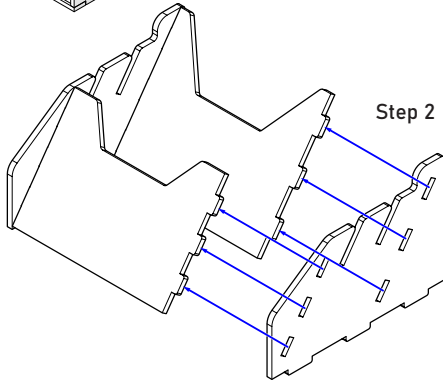
Intended for Lord of Waterdeep Cards
and Quest Cards.



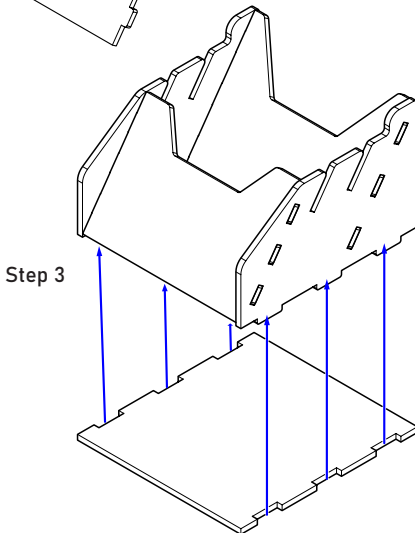
Sheets 7, 8



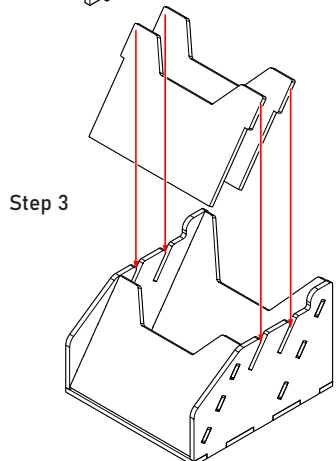
Step 1



Step 2



Step 3



Step 3



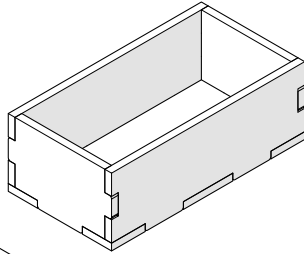
ONE SMART BOX

Lords of Waterdeep Organizer

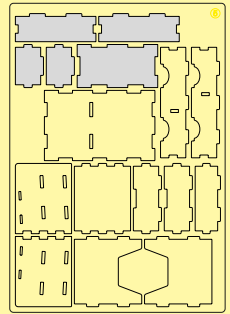
LWDOR01

Compatible with Lords of Waterdeep® including all expansions
Assembly Guide

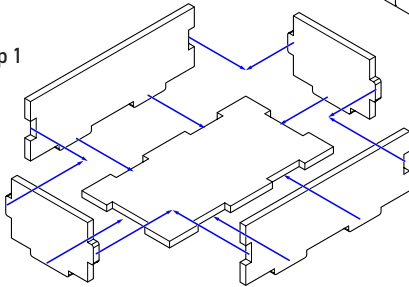
First Player Marker Tray



Sheet 5

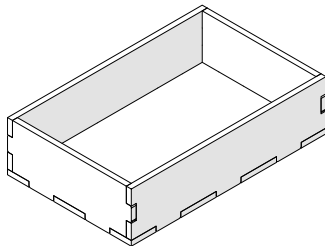


Step 1

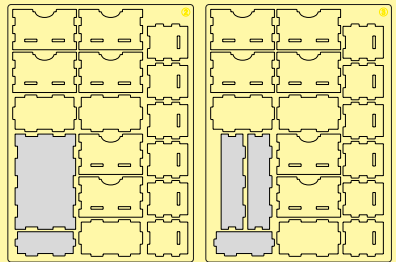


Intended for First Player Markers.

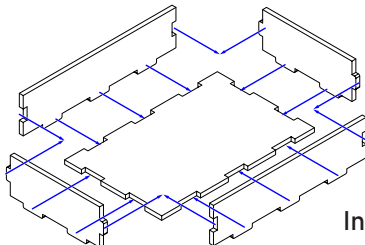
Victory Points Token Tray



Sheets 2, 3



Step 1



Intended for Victory Point tokens.



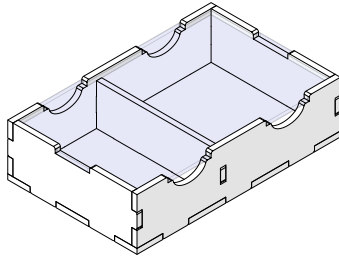
ONE SMART BOX

Lords of Waterdeep Organizer

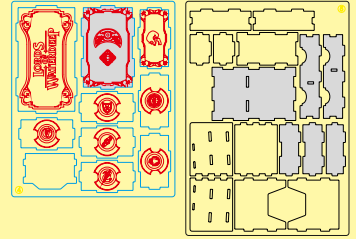
LWDOR01

Compatible with Lords of Waterdeep® including all expansions
Assembly Guide

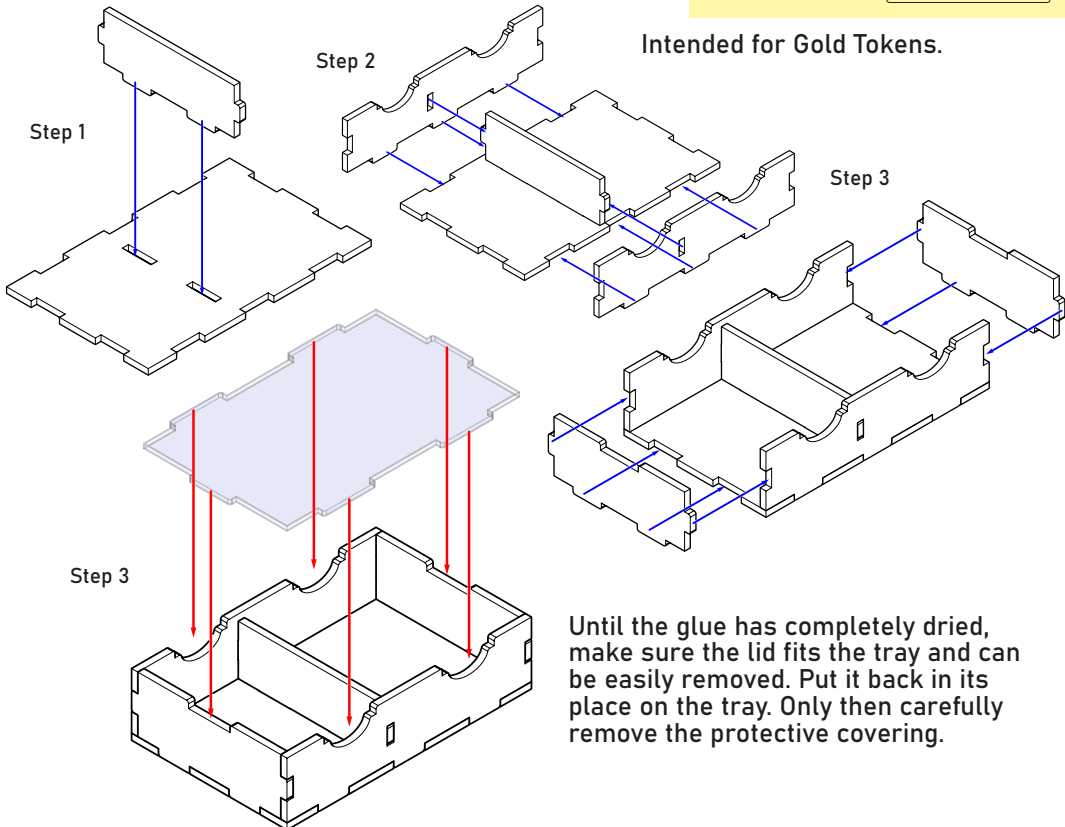
Gold Token Tray



Sheets 4, 5



Intended for Gold Tokens.





ONE SMART BOX

Some other SMONEX products:

Gloomhaven: Jaws of the Lion® Organizer JLOR01



Betrayal at House on the Hill® Organizer BLOR01



This is a non-licensed product. ALL RIGHTS RESERVED by their respective trademark holders. No challenge to any intellectual property rights is intended or implied by representations of compatibility and no endorsements of any of our products by any other company is implied or represented.



Welcome to <https://smonex.com>.


If something is damaged or broken, please do not return the whole set. Contact us directly on email info@smonex.com or our website smonex.com.

Any questions or issues with the Smonex products, we'll do our best to help you. Your satisfaction of it is our top priority.

Thanks for choosing Smonex product. We would be grateful for your feedback, which inspires us and helps to develop further. We'll gladly help you on any matter if you contact us on info@smonex.com.

Share your photos with [#smonex](https://twitter.com/Smonex_com) and follow us for all the updates:

 <https://www.facebook.com/Smonexcom>

 https://www.instagram.com/smonex_com/

 https://twitter.com/Smonex_com

 https://www.pinterest.com/smonex/_shop/

 <https://www.youtube.com/c/SmonexSmartOneBox>



Scan QR-code to visit or follow Smonex.