



ONE SMART BOX

Gloomhaven: Jaws of the Lion® Organizer

JLOR01

Compatible with Gloomhaven: Jaws of the Lion®
Assembly Guide



<https://smonex.com>

NOT A CHILDREN TOY
AGE 14+

Created for Gloomhaven: Jaws of the Lion

Gloomhaven: Jaws of the Lion® is a registered trademark of Cephalofair Games. Any mention of Gloomhaven: Jaws of the Lion® is for reference purposes only. ALL RIGHTS RESERVED by their respective trademark holders. No challenge to any intellectual property rights is intended or implied by representations of compatibility and no endorsements of any of our products by any other company is implied or represented.



ONE SMART BOX

Gloomhaven: Jaws of the Lion® Organizer

JLOR01

Compatible with Gloomhaven: Jaws of the Lion®
Assembly Guide

Tips and tricks

- To assemble each tray you need a wood glue for extra strength. (We recommend Titebond 2 Wood Glue or Beacon 527)
- Please make sure you assembled each tray correctly before gluing it together.
- Use stationery knife to cut the bits that connect details to the frame.
- Remove the details from the frame with a rotational motion along the axis formed by the bits you just cut.
- Use stationery knife and sandpaper to remove all the remaining connection bits.
- You may fix the box with rubber bands after gluing it. This will save you time and simplify the assembly.
- Use a hairdryer for easier removal of the protective covering from acrylic details. Just heat the acrylic surface a little to remove the covering much easier!
- Leave your finished insert overnight to dry completely.

Assembly Supplies



Wood-glue



Stationery knife



Hammer



Cotton swab



Rubber bands



Hairdryer

If something is damaged or broken, please do not return the whole set. Contact us directly on email info@smonex.com or our website smonex.com. Any questions or issues with the Smonex products, we'll do our best to help you. We want our customers to be completely satisfied.

IMPORTANT: Assemble each tray one by one. Please DO NOT take out all the parts from the sheets and mix them. Even though some parts look similar, they are not interchangeable.

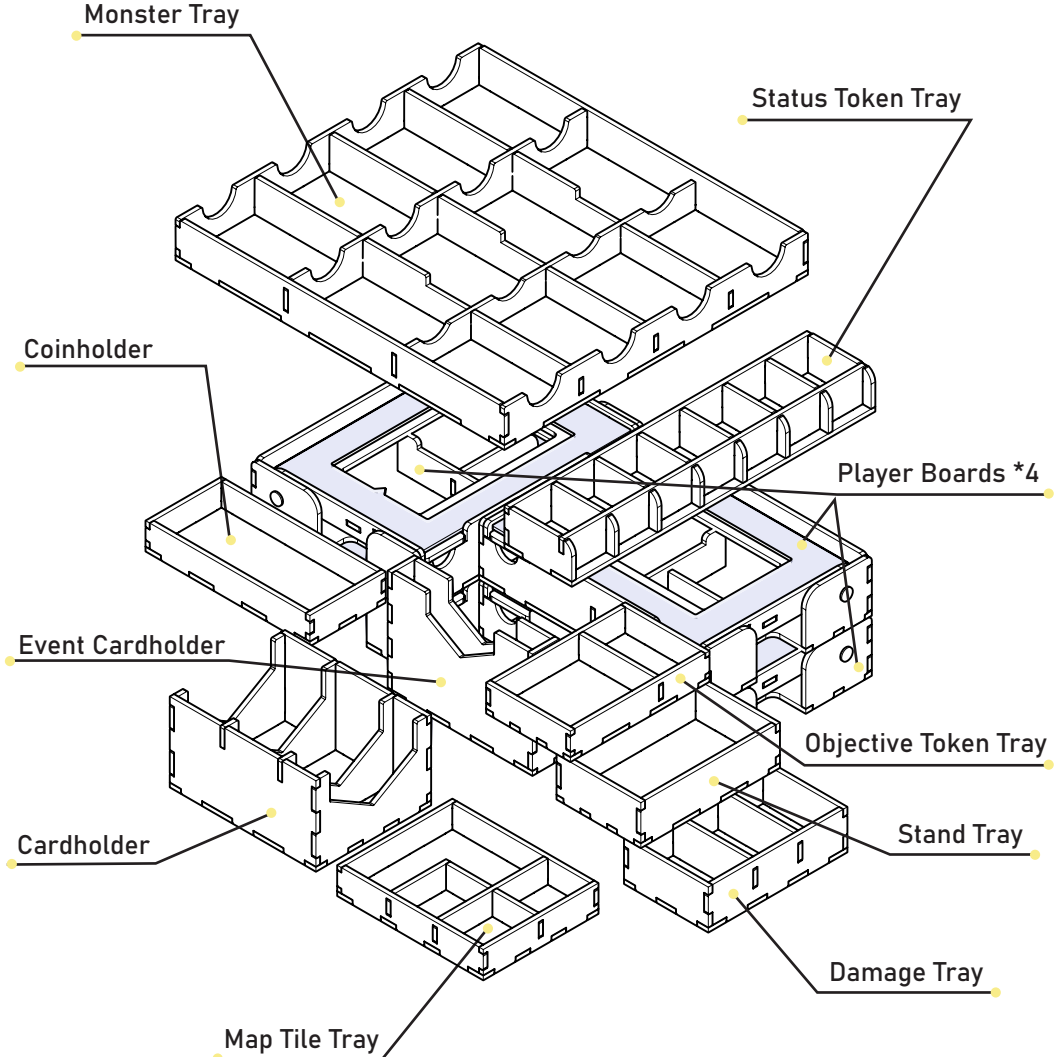


ONE SMART BOX

Gloomhaven: Jaws of the Lion® Organizer

JLOR01

Compatible with Gloomhaven: Jaws of the Lion®
Assembly Guide





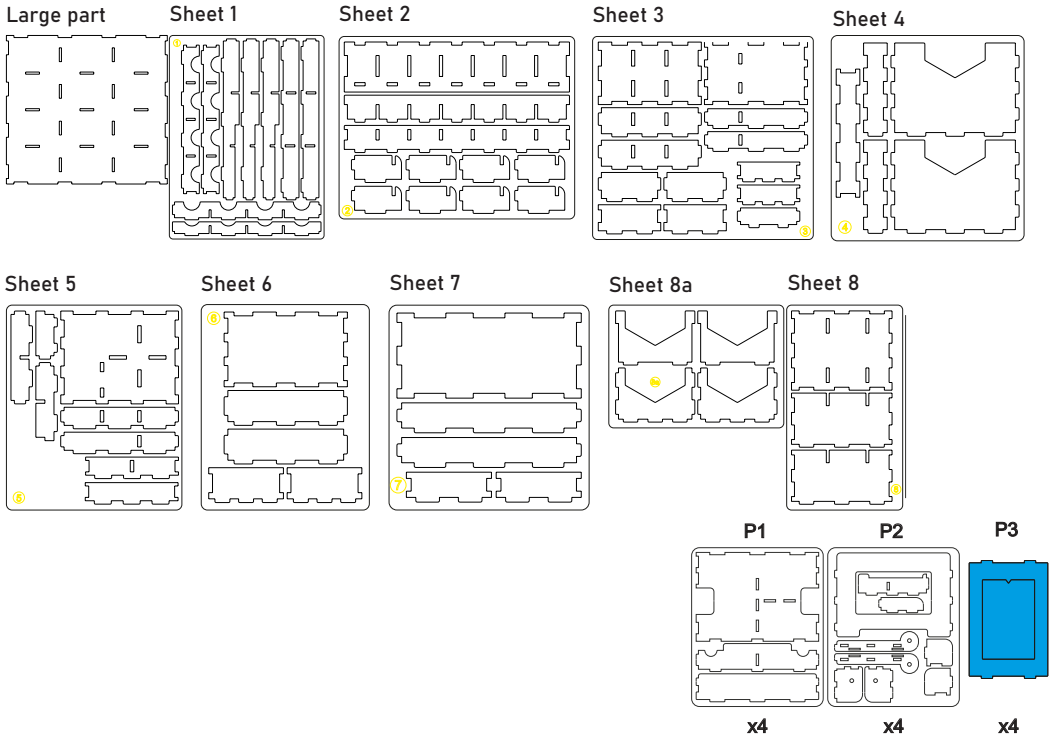
ONE SMART BOX

Gloomhaven: Jaws of the Lion® Organizer




JLOR01

Compatible with Gloomhaven: Jaws of the Lion®
Assembly Guide

- Brief assembly instructions:**
1. Unpack and arrange the sheets in order.
 2. Compare details on the sheets with details in the pictures of the guide.
 3. Study the pictures of unassembled product.
 4. Start your assembly, taking the necessary parts out of the sheets in a certain order.



Legend:

-  Highlighted details to be extruded
-  Details not used in this assembly
-  Details to be glued

Components:

- 17 sheets extrusion molds
- 4 acrylic pieces
- 1 large part (for Monster Tray)
- 8 screws



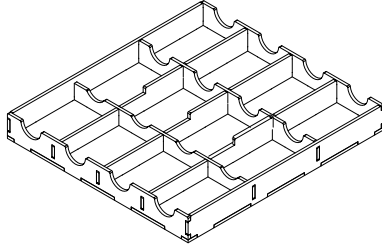
ONE SMART BOX

Gloomhaven: Jaws of the Lion® Organizer

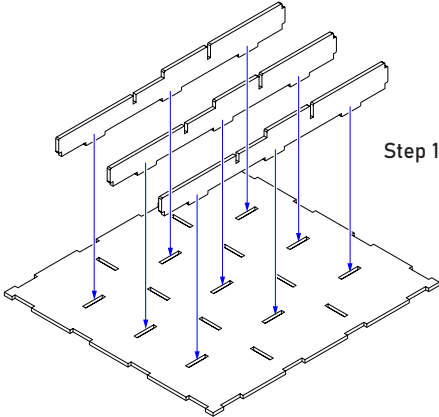
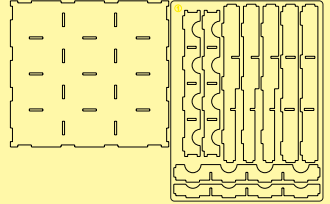
JLOR01

Compatible with Gloomhaven: Jaws of the Lion®
Assembly Guide

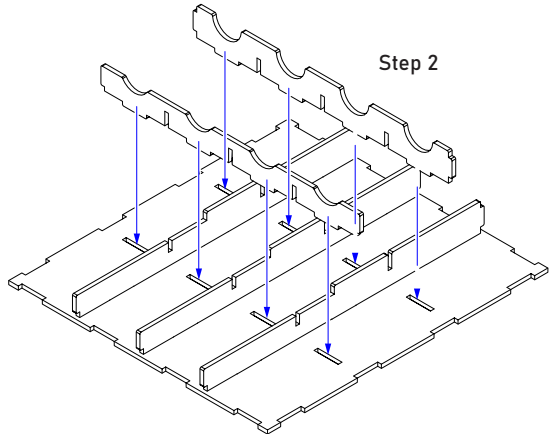
Monster Tray



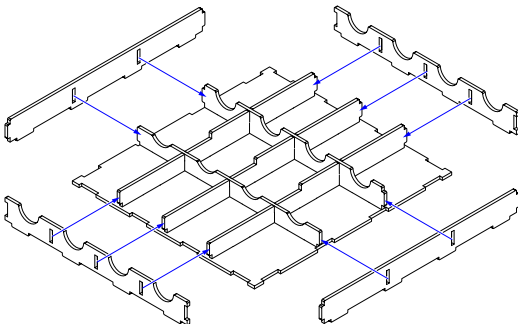
Sheet 1, Large part



Step 1



Step 2



Step 3

Intended for Monster Standees,
Initiative Order Tokens, Monster Ability
Cards, Monster Stat Envelops,
Monster Stat Cards.



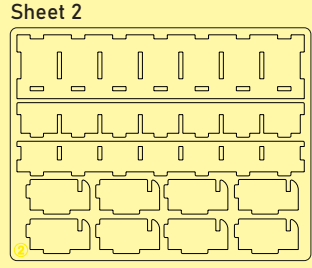
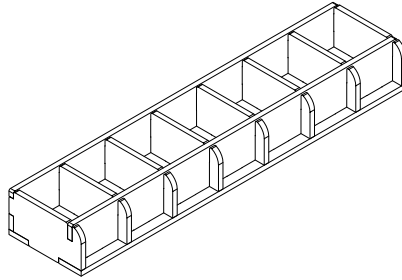
ONE SMART BOX

Gloomhaven: Jaws of the Lion[®] Organizer

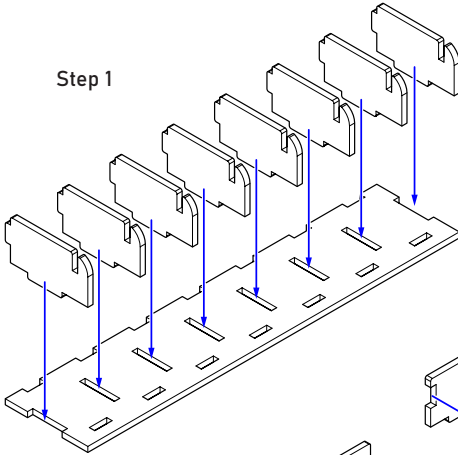
JLOR01

Compatible with Gloomhaven: Jaws of the Lion[®]
Assembly Guide

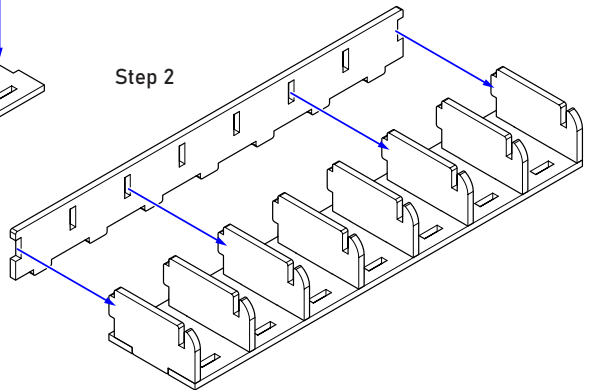
Status Token Tray



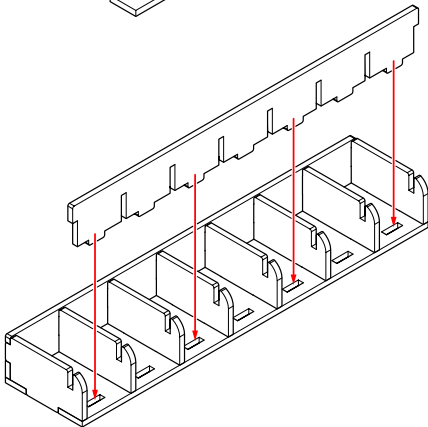
Step 1



Step 2



Step 3



Intended for Status Tokens.



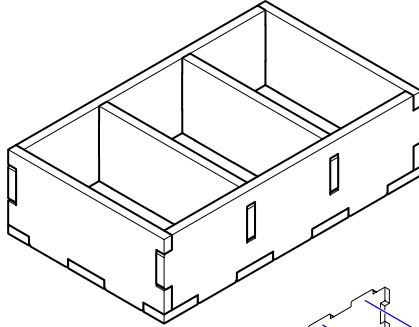
ONE SMART BOX

Gloomhaven: Jaws of the Lion® Organizer

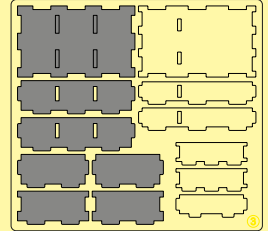
JLOR01

Compatible with Gloomhaven: Jaws of the Lion®
Assembly Guide

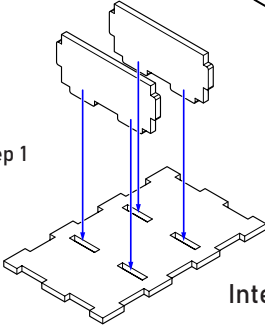
Damage Tray



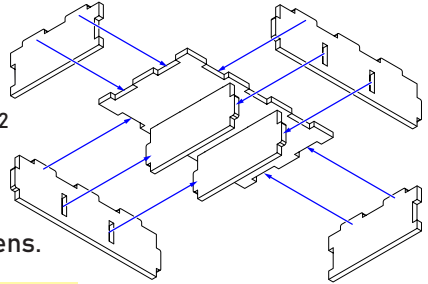
Sheet 3



Step 1

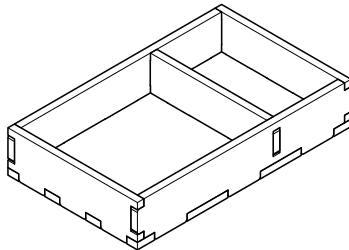


Step 2

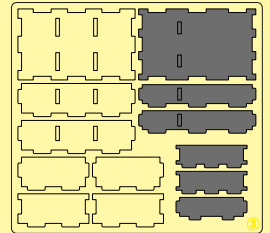


Intended for Damage Tokens.

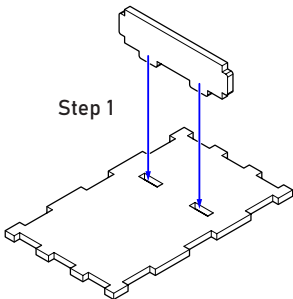
Objective Token Tray



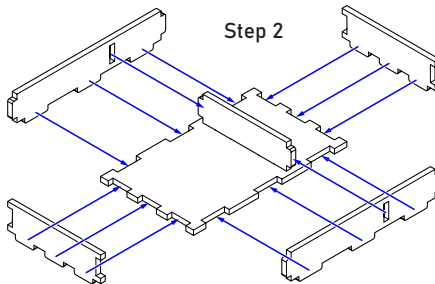
Sheet 3



Step 1



Step 2



Intended for
Objective Tokens.

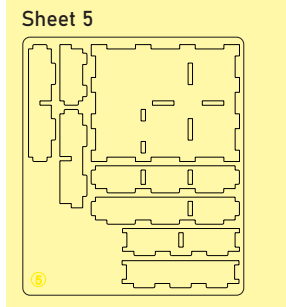
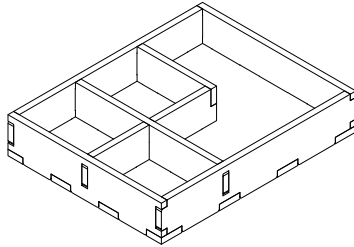


ONE SMART BOX

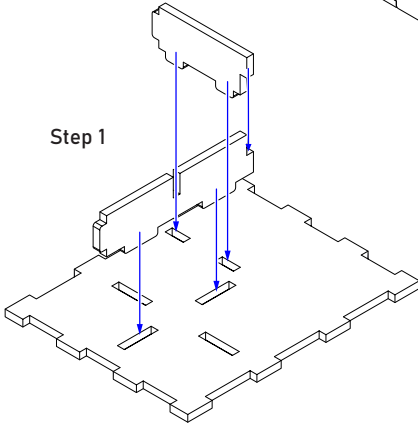
Gloomhaven: Jaws of the Lion® Organizer

JLOR01
Compatible with Gloomhaven: Jaws of the Lion®
Assembly Guide

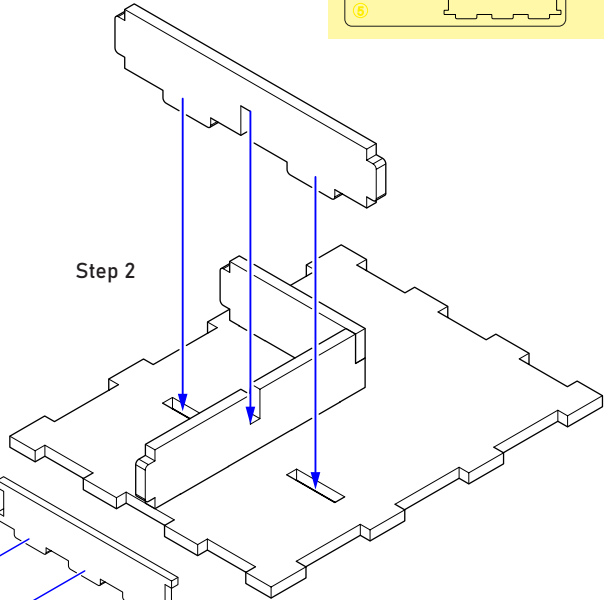
Map Tile Tray



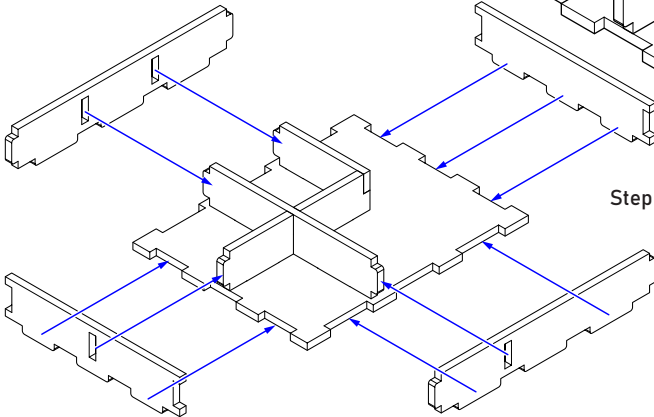
Step 1



Step 2



Step 3



Intended for Map Tiles.

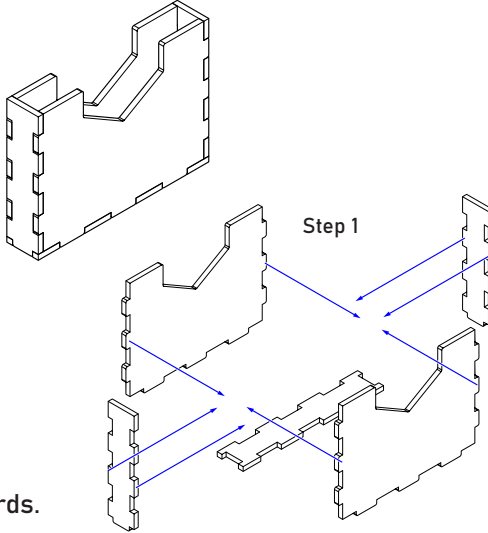


ONE SMART BOX

Gloomhaven: Jaws of the Lion[®] Organizer

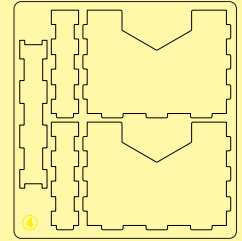
JLOR01
Compatible with Gloomhaven: Jaws of the Lion[®]
Assembly Guide

Event Cardholder

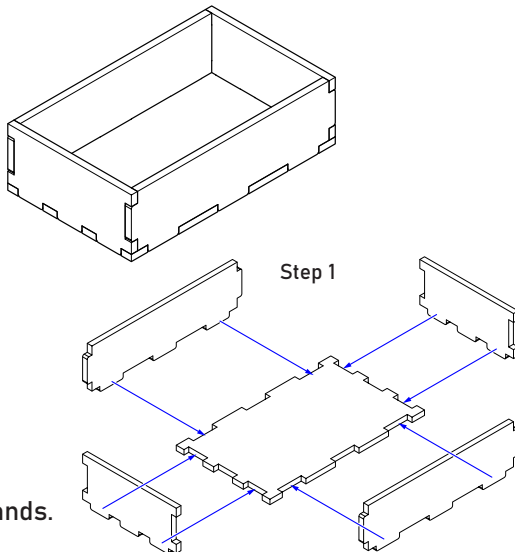


Intended for Event Cards.

Sheet 4

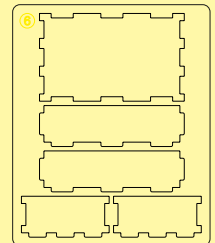


Stand Tray



Intended for Plastic Stands.

Sheet 6



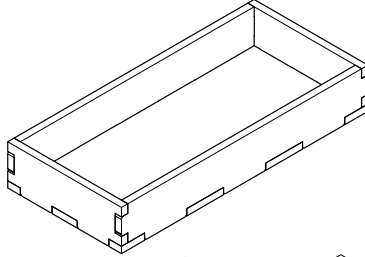


ONE SMART BOX

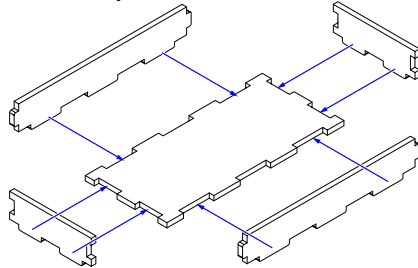
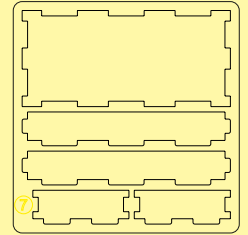
Gloomhaven: Jaws of the Lion® Organizer

JLOR01
Compatible with Gloomhaven: Jaws of the Lion®
Assembly Guide

Coinholder



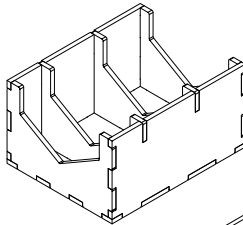
Sheet 7



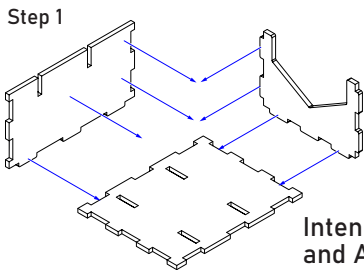
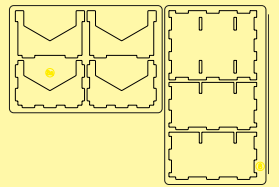
Step 1

Intended for Coins.

Cardholder

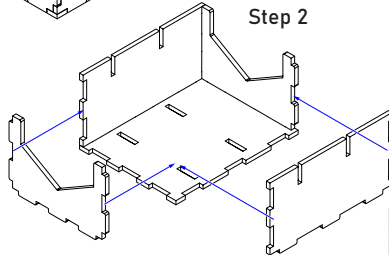


Sheet 8, 8a

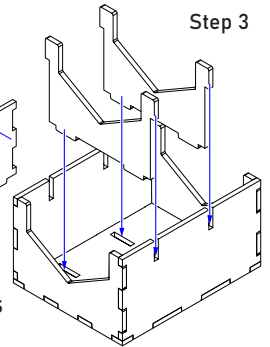


Step 1

Step 2



Step 3



Intended for Item Cards, Battle Goals
and Attack Modifier Cards.



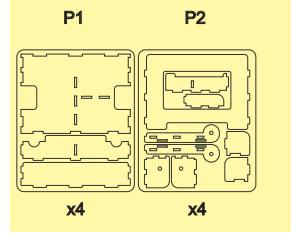
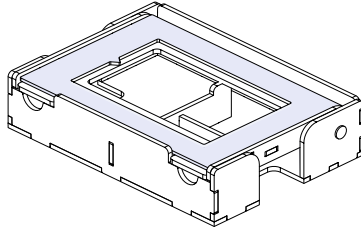
ONE SMART BOX

Gloomhaven: Jaws of the Lion® Organizer

JLOR01

Compatible with Gloomhaven: Jaws of the Lion®
Assembly Guide

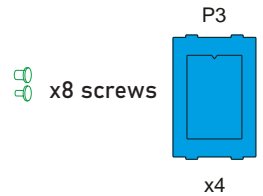
Player Board + 4



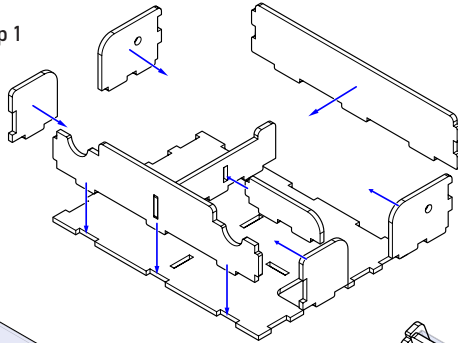
Intended for comfortable game and saving results between your games.

First of all remove protective covering from the both sides of the acrylic part.

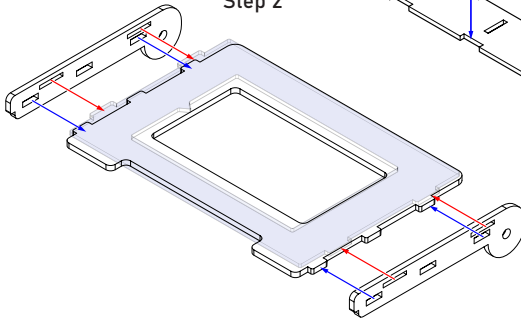
Before the final gluing, make sure the lid fits the tray.



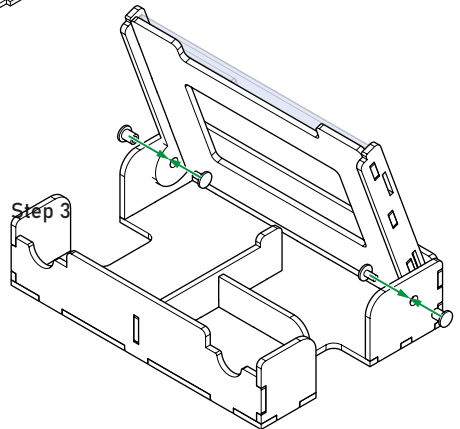
Step 1



Step 2



Step 3



In the box you will find screws that need to be screwed in 2 units into each player board.



ONE SMART BOX

Some other SMONEX products:

Gloomhaven Organizer GNOR01

7 Wonders WSOR01



If something is damaged or broken, please do not return the whole set. Contact us directly on email info@smonex.com or our website smonex.com.

Any questions or issues with the Smonex products, we'll do our best to help you. Your satisfaction of it is our top priority.


Welcome to <https://smonex.com>.

Thanks for choosing Smonex product. We would be grateful for your feedback, which inspires us and helps to develop further.

We'll gladly help you on any matter if you contact us on info@smonex.com.

Share your photos with #smonex and follow us for all the updates:

 <https://www.facebook.com/Smonexcom>

 https://www.instagram.com/smonex_com/

 https://twitter.com/Smonex_com

 https://www.pinterest.com/smonex/_shop/

 <https://www.youtube.com/c/SmonexSmartOneBox>



Scan QR-code to visit or follow Smonex.