



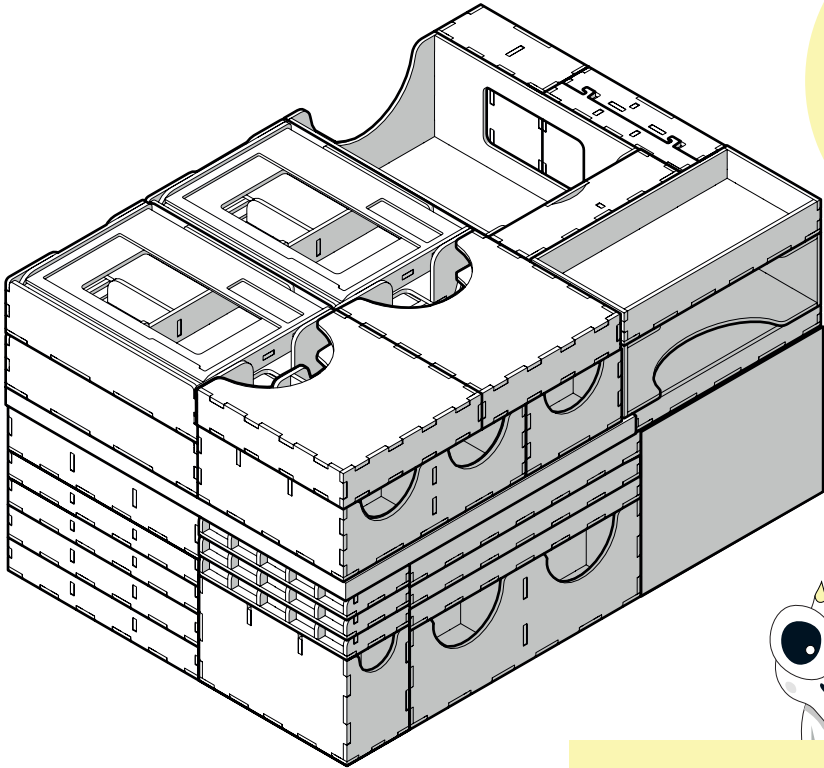
ONE SMART BOX

Frosthaven® Board Game Organizer

FNOR01

Compatible with Frosthaven® board game

Assembly Guide



Created for:

- Frosthaven Board Game

smonex.com

NOT A CHILDREN TOY

AGE 14+

Frosthaven® is a registered trademark of Sephalofair Games. Any mention of Frosthaven® is for reference purposes only. ALL RIGHTS RESERVED by their respective trademark holders. No challenge to any intellectual property rights is intended or implied by representations of compatibility and no endorsements of any of our products by any other company is implied or represented.



smonex

ONE SMART BOX

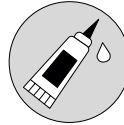
Frosthaven® Board Game Organizer FNOR01

Compatible with Frosthaven® board game
Assembly Guide

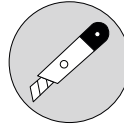
Tips and tricks

- To assemble each tray you need a wood glue for extra strength. (We recommend Titebond 2 Wood Glue or Beacon 527).
- Please make sure you assembled each tray correctly before gluing it together.
- Use stationery knife to cut the bits that connect details to the frame.
- Remove the details from the frame with a rotational motion along the axis formed by the bits you just cut.
- Make sure to remove the protective covering from BOTH sides of the acrylic pieces. Use a hairdryer for easier removal of it if necessary. Just heat the acrylic surface a little to remove the covering much easier.
- Use stationery knife and sandpaper to remove all the remaining connection bits.
- Please note that the engraving must be on the outside of the boxes.
- You may fix the box with rubber bands after gluing it. This will save you time and simplify the assembly.
- Leave your finished insert overnight to dry completely.

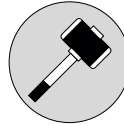
Assembly Supplies



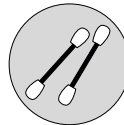
Wood-glue



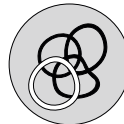
Stationery knife



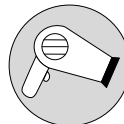
Hammer



Cotton swab



Rubber bands



Hairdryer

If something is damaged or broken, please do not return the whole set. Contact us directly on email info@smonex.com or our website smonex.com. Any questions or issues with the Smonex products, we'll do our best to help you. We want our customers to be completely satisfied.

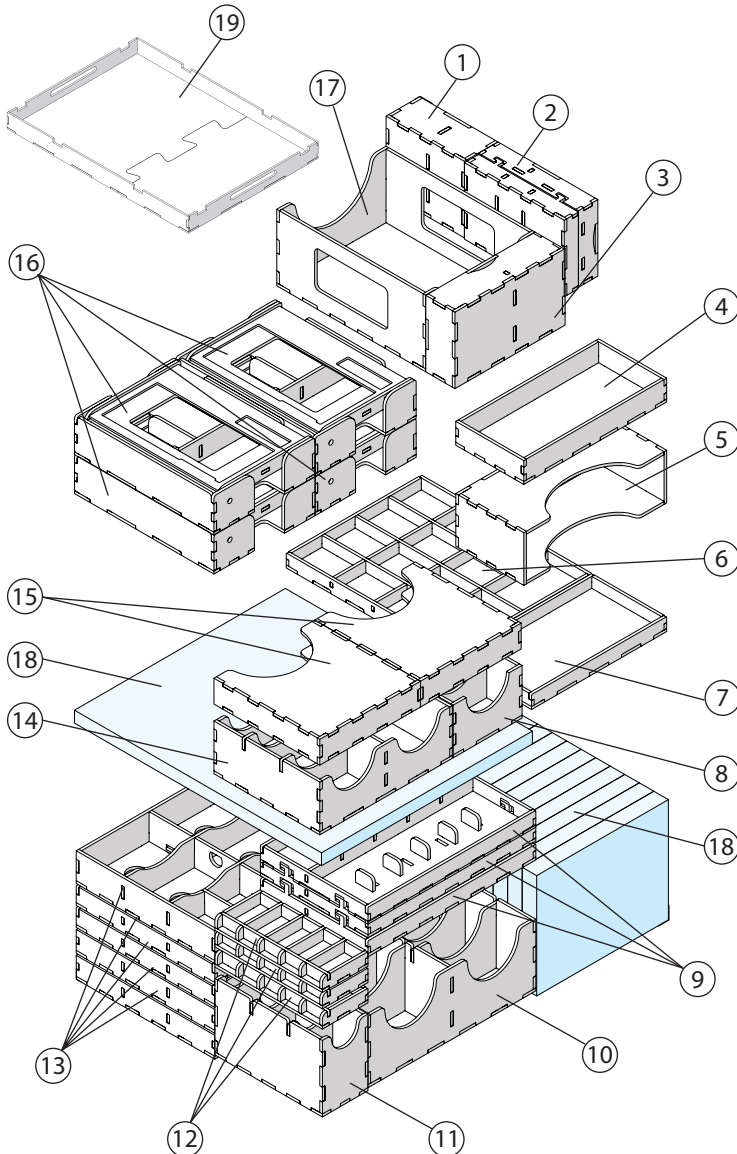
IMPORTANT: Assemble each tray one by one. Please DO NOT take out all the parts from the sheets and mix them. Even though some parts look similar, they are not interchangeable.



ONE SMART BOX

Frosthaven® Board Game Organizer FNOR01

Compatible with Frosthaven® board game
Assembly Guide



1. Loot & Markers Tray
2. Damage Trays x2
3. Boss Tray
4. Stand Tray
5. Envelope Holder
6. Tile Tray 3
7. Tile Tray 1
8. Cardholder 1
9. Tile Trays 2.1-2.3
10. Cardholder 2
11. Modifier Cardholder
12. Condition Trays x3
13. Monster Trays 1-5
14. Item Cardholder
15. Stat Cardholders x2
16. Player Trays x4
17. Miniature Tray
18. Game elements
19. Map Tiles Tray



ONE SMART BOX

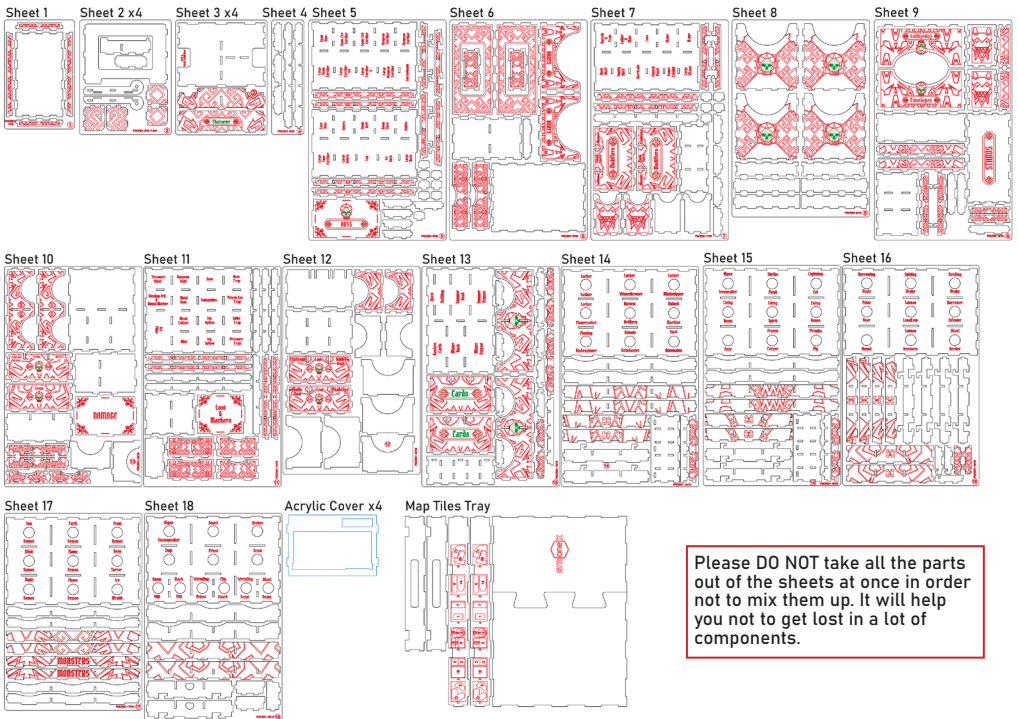
Frosthaven® Board Game Organizer

FNOR01

Compatible with Frosthaven® board game Assembly Guide






Brief assembly instructions:

1. Unpack and arrange the sheets in order.
2. Compare details on the sheets with details in the pictures of the guide.
3. Study the pictures of unassembled product.
4. Start your assembly, taking the necessary parts out of the sheets in a certain order.



Please **DO NOT** take all the parts out of the sheets at once in order not to mix them up. It will help you not to get lost in a lot of components.

Legend:

-  Details to be extruded
-  Details not used in this assembly
-  Details to be glued
-  Details to be connected without glue
-  Details to be screwed

Components:

- 24 sheets extrusion molds
- 8 screws
- 4 acrylic covers
- 1 sandpaper for stripping parts
- 6 Map Tiles Tray sheets
- Assembly guide



ONE SMART BOX

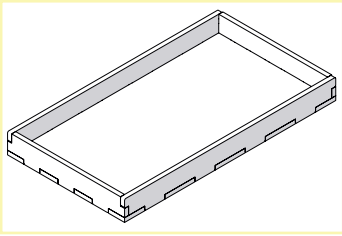
Frosthaven® Board Game Organizer

FNOR01

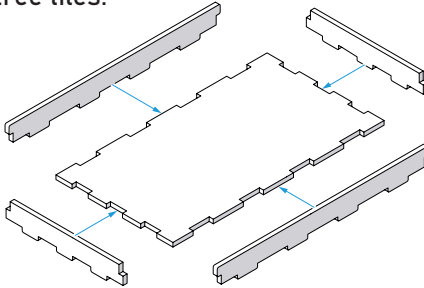
Compatible with Frosthaven® board game Assembly Guide

Tile Tray 1

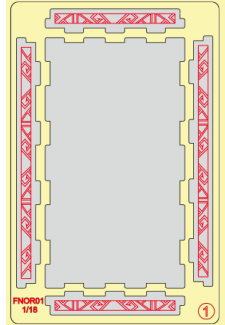
Intended for large ice crystal, huge water and 3 snow-covered spruce tree tiles.



Step 1

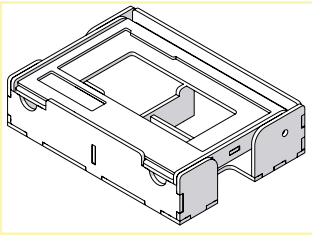


Sheet 1

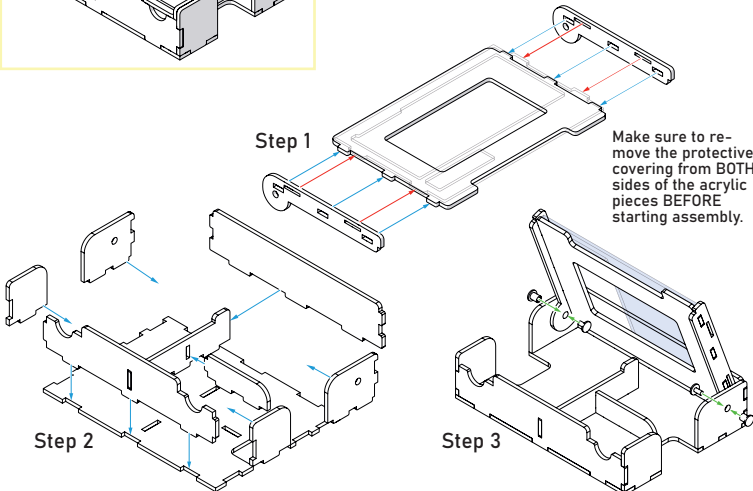


Player Trays x4

Intended for character attack modifier cards, character mats, character initiative order tokens, perk reminder cards, character dials, and reference cards.



Step 1

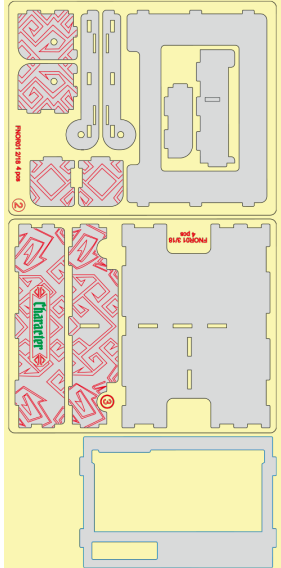


Make sure to remove the protective covering from BOTH sides of the acrylic pieces BEFORE starting assembly.

Step 2

Step 3

Sheets 2, 3, Acrylic Covers, Screws





ONE SMART BOX

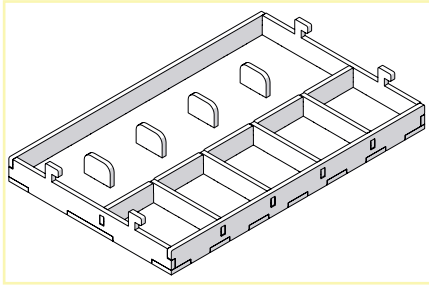
Frosthaven® Board Game Organizer

FNOR01

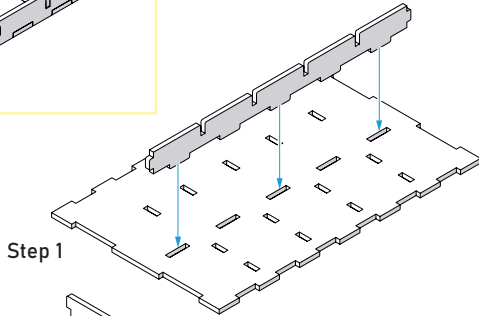
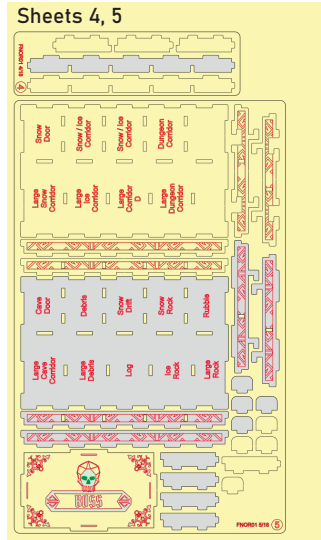
Compatible with Frosthaven® board game

Assembly Guide

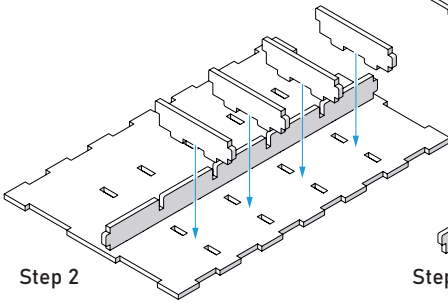
Tile Tray 2.1



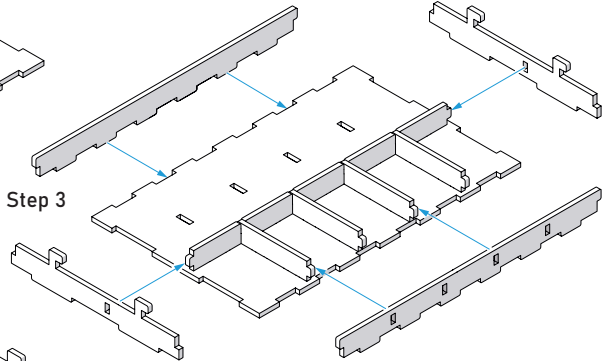
Intended for overlay tiles.



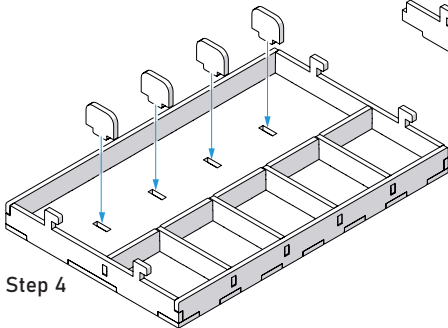
Step 1



Step 2



Step 3



Step 4



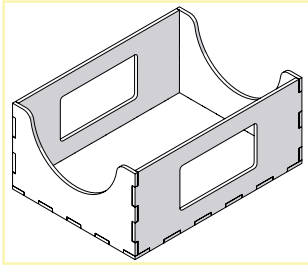
ONE SMART BOX

Frosthaven® Board Game Organizer

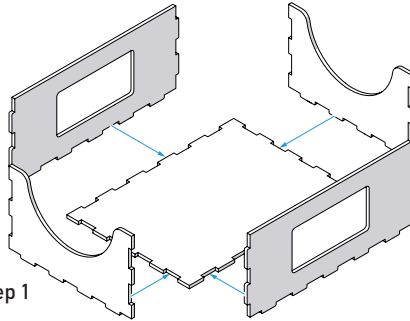
FNOR01

Compatible with Frosthaven® board game Assembly Guide

Miniature Tray

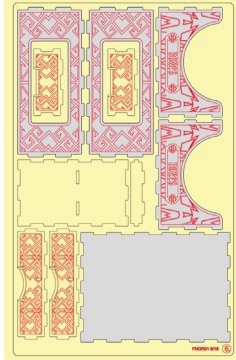


Intended for small boxes with miniatures.

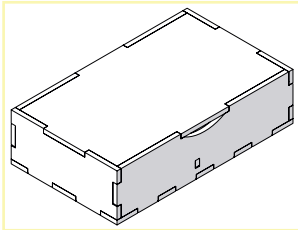


Step 1

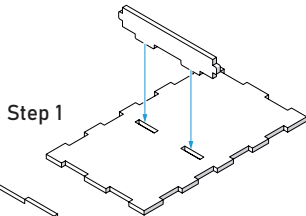
Sheet 6



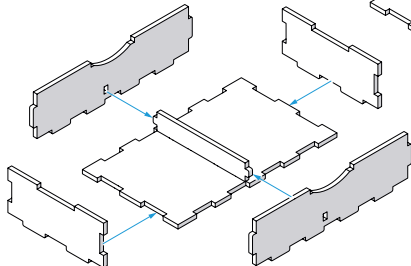
Boss Tray



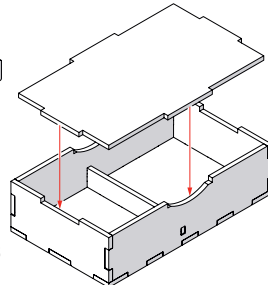
Intended for boss standees and boss ability cards.



Step 1

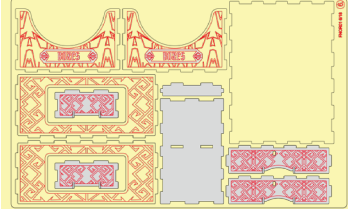
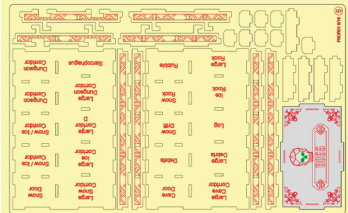


Step 2



Step 3

Sheets 5, 6





ONE SMART BOX

Frosthaven® Board Game Organizer

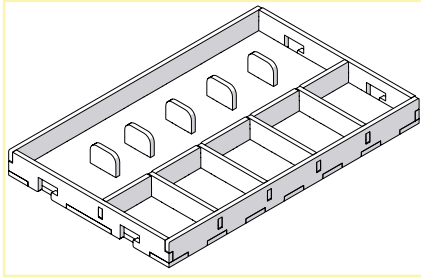
FNOR01

Compatible with Frosthaven® board game

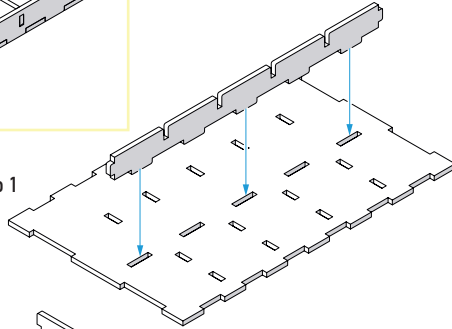
Assembly Guide

Tile Tray 2.3

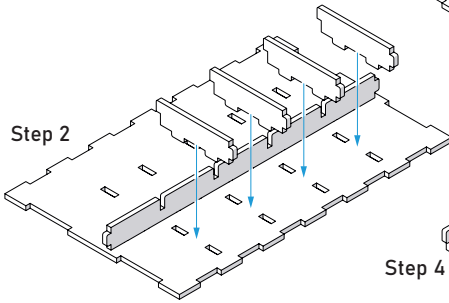
Intended for overlay tiles.



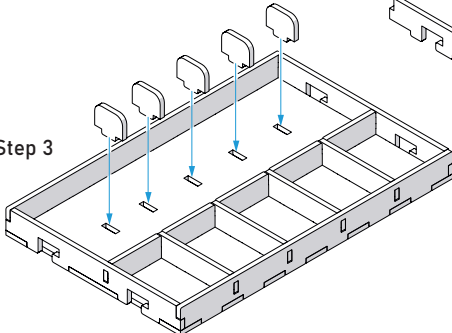
Step 1



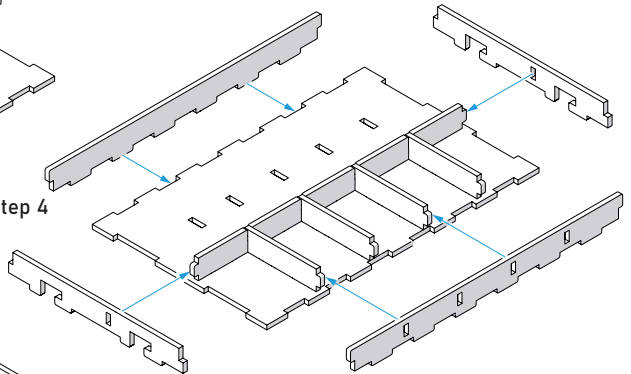
Step 2



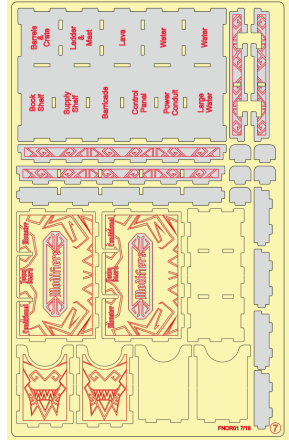
Step 3



Step 4



Sheet 7





ONE SMART BOX

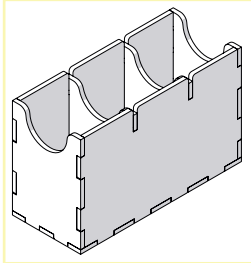
Frosthaven® Board Game Organizer

FNOR01

Compatible with Frosthaven® board game

Assembly Guide

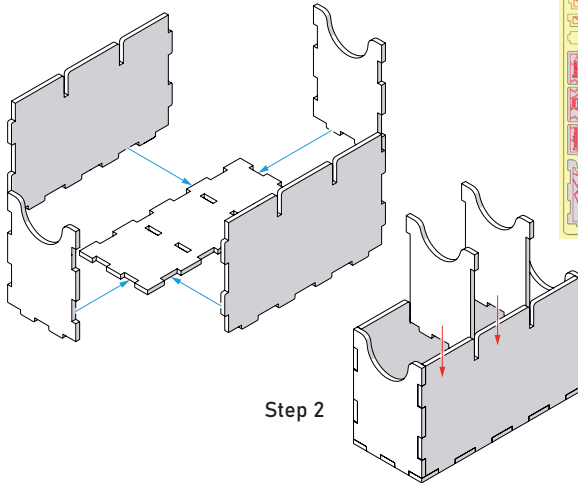
Modifier Cardholder



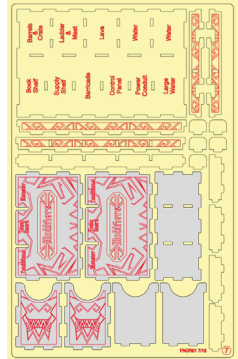
Intended for attack modifier, conditional, and town guards cards.

Please dry-fit the tray before gluing it to make sure the removable dividers fit properly.

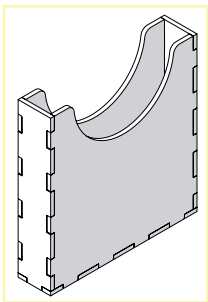
Step 1



Sheet 7

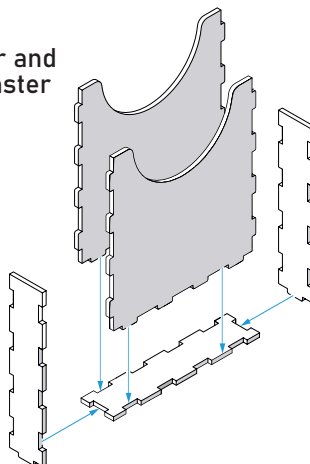


Stats Cardholders x2

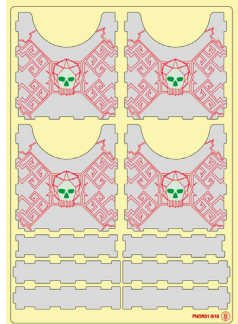


Intended for monster and boss stat cards, monster stat sleeves.

Step 1



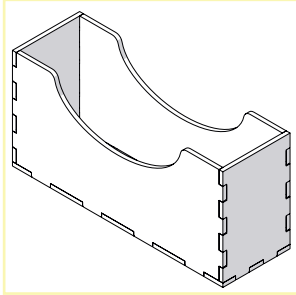
Sheet 8



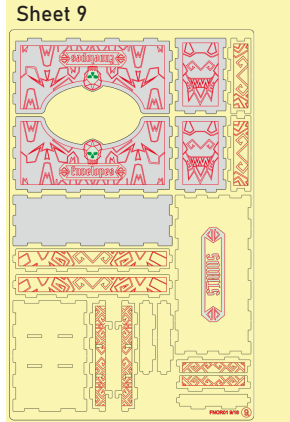
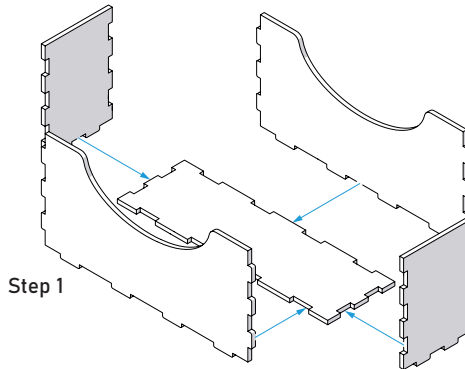


ONE SMART BOX
Frosthaven® Board Game Organizer
FNOR01
Compatible with Frosthaven® board game
Assembly Guide

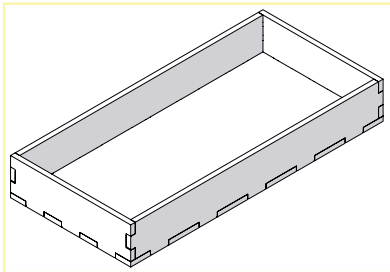
Envelope Holder



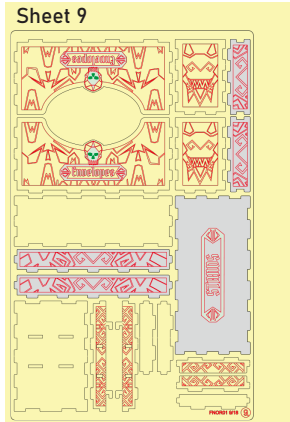
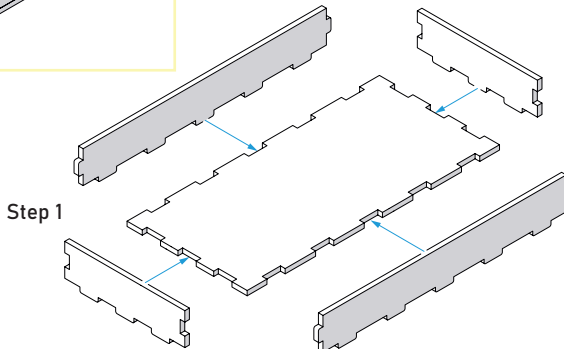
Intended for envelopes.



Stand Tray



Intended for stands.





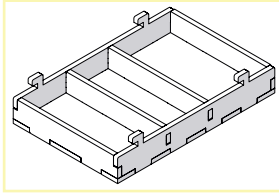
ONE SMART BOX

Frosthaven® Board Game Organizer

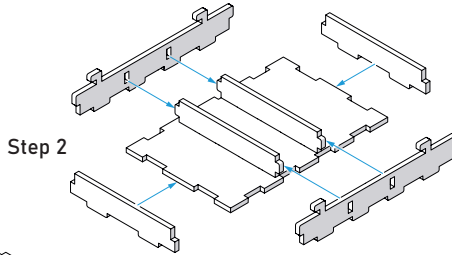
FNOR01

Compatible with Frosthaven® board game
Assembly Guide

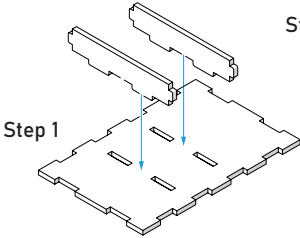
Bottom Damage Tray



Intended for 100, 20 and 10 damage tokens.

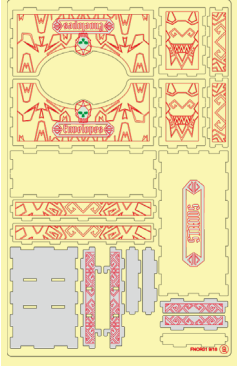


Step 2



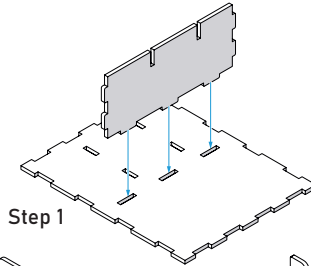
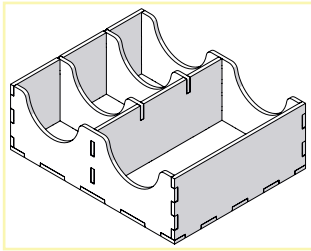
Step 1

Sheet 9

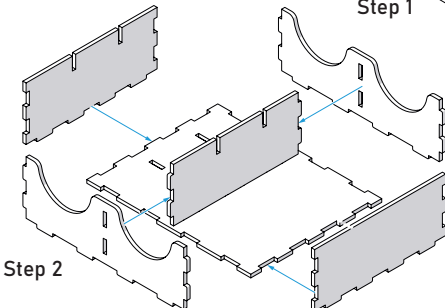


Item Cardholder

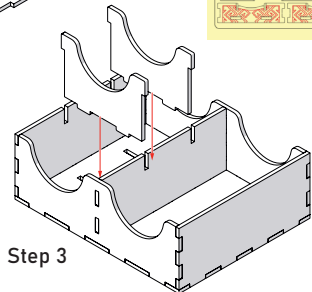
Intended for item, random item and random scenario cards.



Step 1

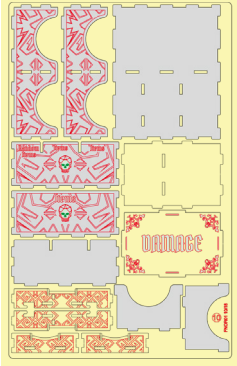


Step 2



Step 3

Sheet 10





ONE SMART BOX

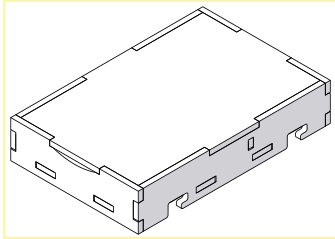
Frosthaven® Board Game Organizer

FNOR01

Compatible with Frosthaven® board game

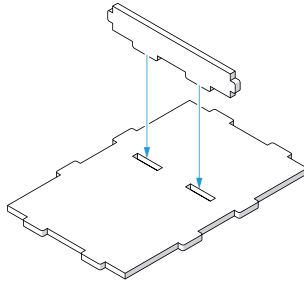
Assembly Guide

Top Damage Tray

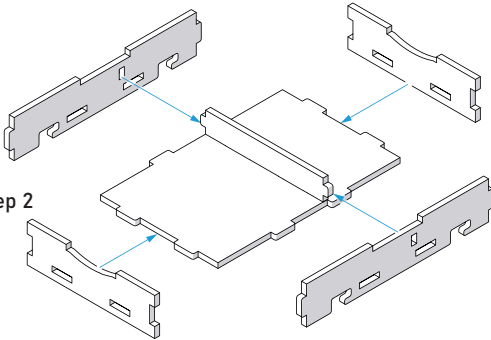


Intended for 1 and 3 damage tokens.

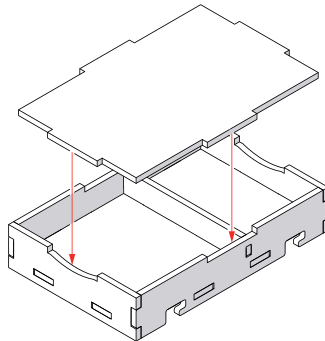
Step 1



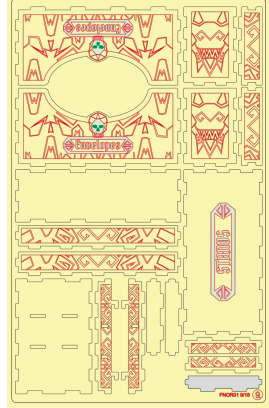
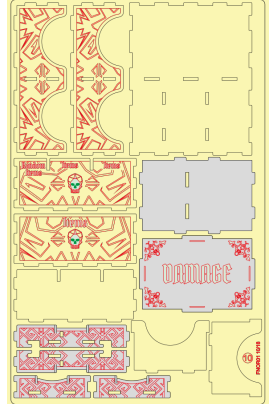
Step 2



Step 3



Sheets 9, 10





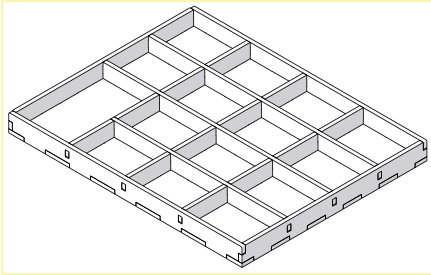
ONE SMART BOX

Frosthaven® Board Game Organizer

FNOR01

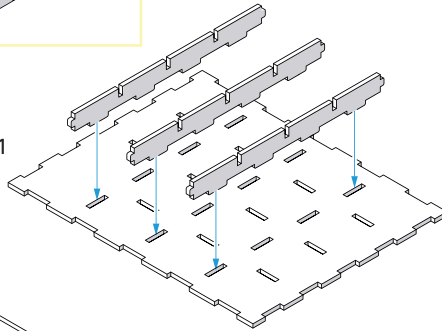
Compatible with Frosthaven® board game
Assembly Guide

Tile Tray 3

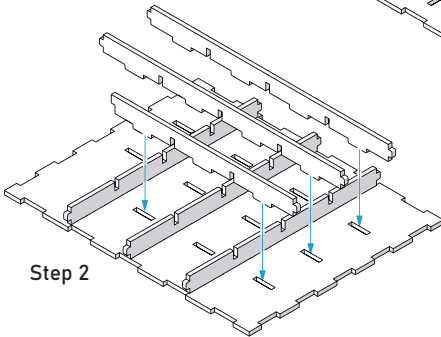


Intended for overlay tiles.

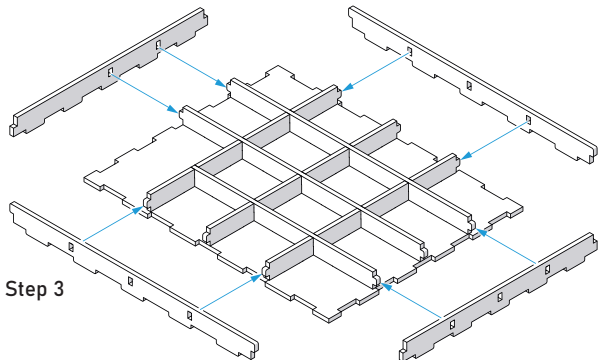
Step 1



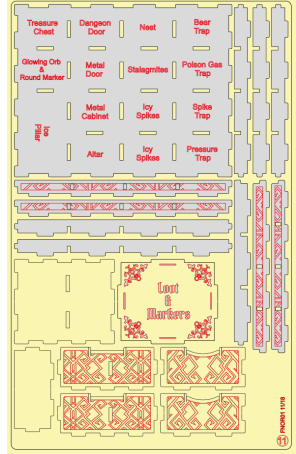
Step 2



Step 3



Sheet 11





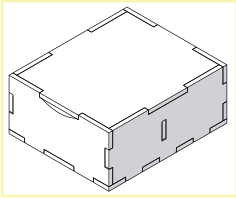
ONE SMART BOX

Frosthaven® Board Game Organizer

FNOR01

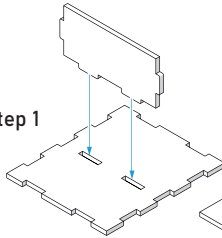
Compatible with Frosthaven® board game Assembly Guide

Loot & Markers Tray

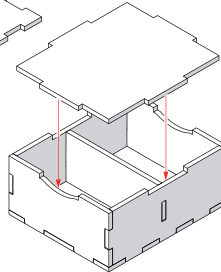


Intended for loot, element, and scenario aid tokens.

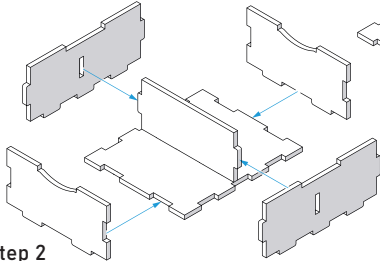
Step 1



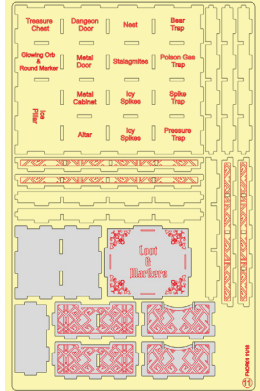
Step 3



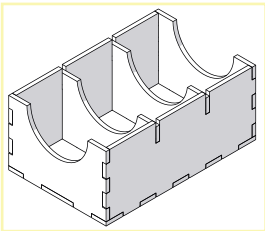
Step 2



Sheet 11

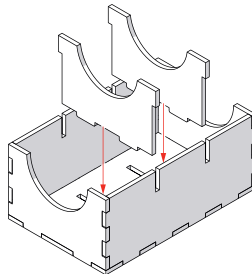


Cardholder 1

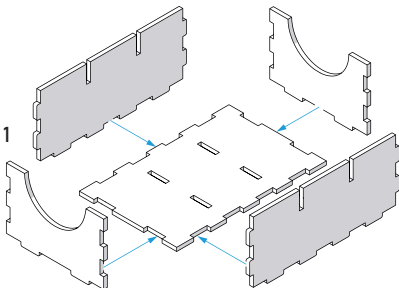


Intended for loot, battle goal, and challenge cards.

Step 2

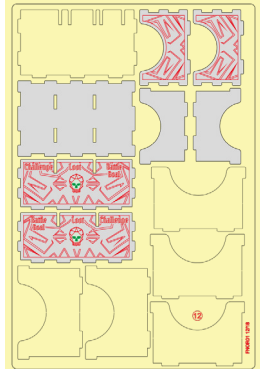


Step 1



Please mind that the sections of the cardholder have different sizes. Please make sure that the slots for the removable dividers on the bottom and on the sides of the box are on the same level.

Sheet 12





ONE SMART BOX

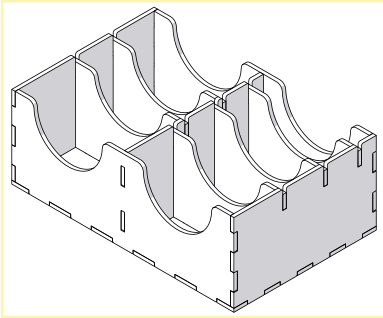
Frosthaven® Board Game Organizer

FNOR01

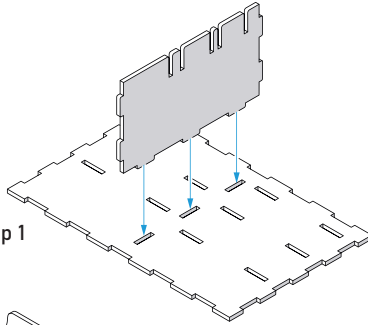
Compatible with Frosthaven® board game
Assembly Guide

Cardholder 2

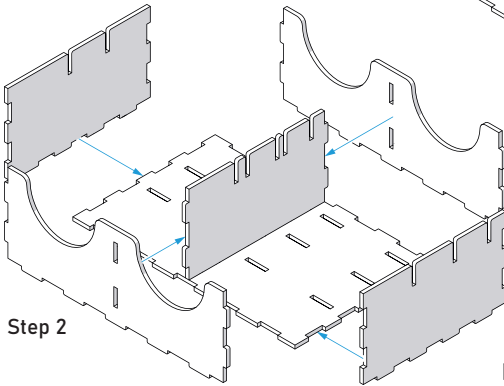
Intended for event,
random room, random
setup, building, and
personal quest cards.



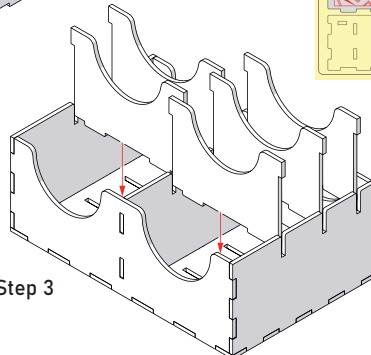
Step 1



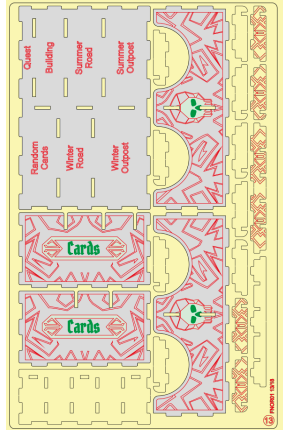
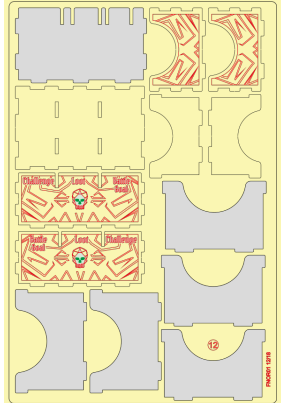
Step 2



Step 3



Sheets 12, 13





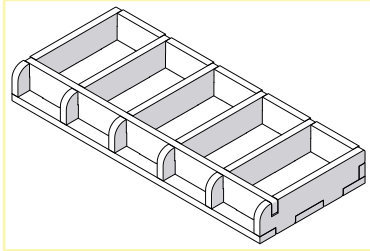
ONE SMART BOX

Frosthaven® Board Game Organizer

FNOR01

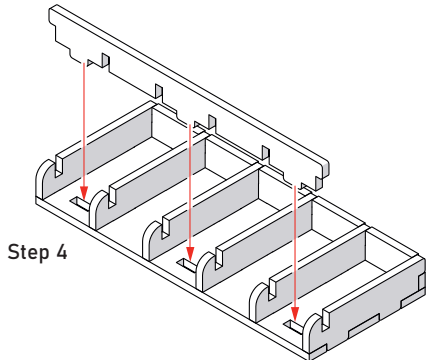
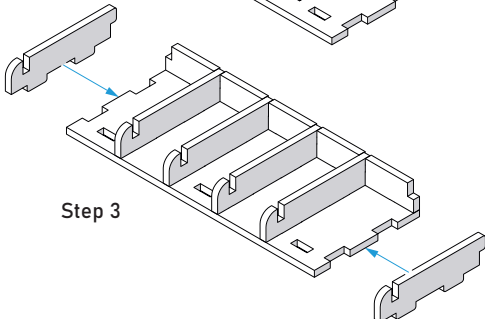
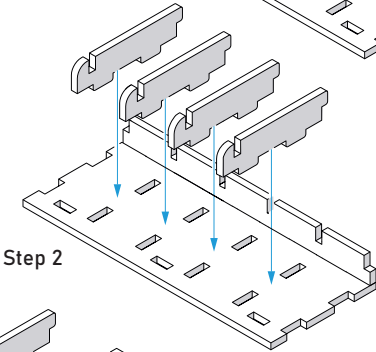
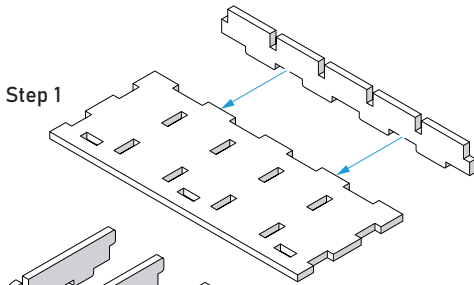
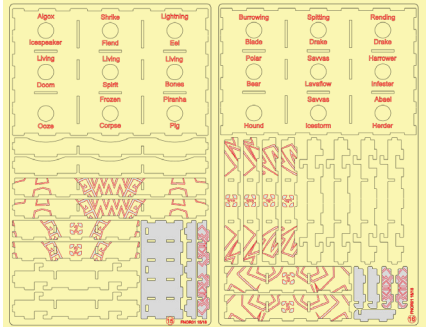
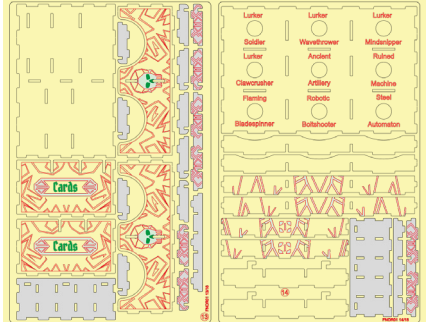
Compatible with Frosthaven® board game
Assembly Guide

Condition Trays x3



Intended for
condition tokens.

Sheets 13, 14, 15, 16





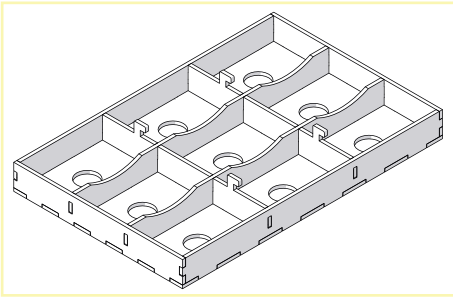
ONE SMART BOX

Frosthaven® Board Game Organizer

FNOR01

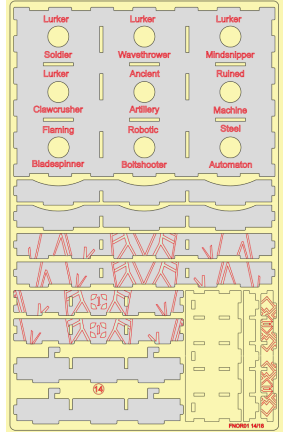
Compatible with Frosthaven® board game
Assembly Guide

Monster Tray 1

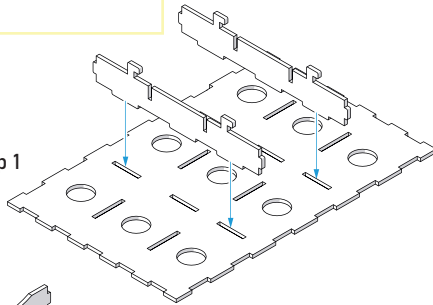


Intended for monsters.

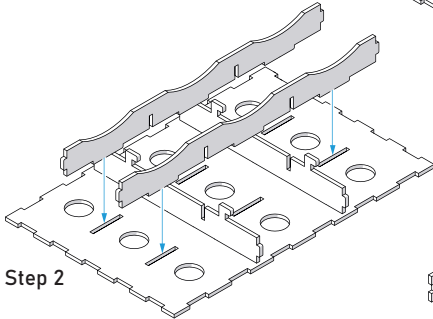
Sheet 14



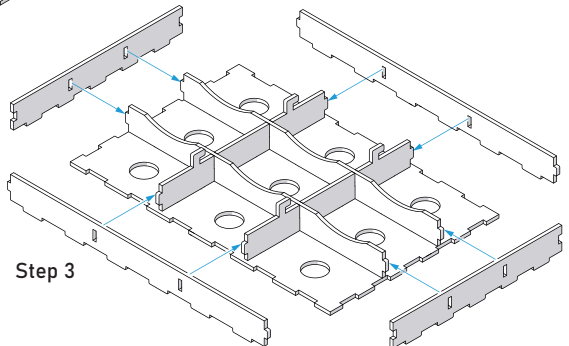
Step 1



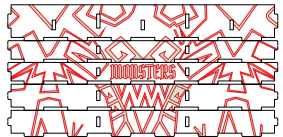
Step 2



Step 3



Please follow the engravings while assembling the Monster trays. The engravings should form a picture when all the trays are put on one another.





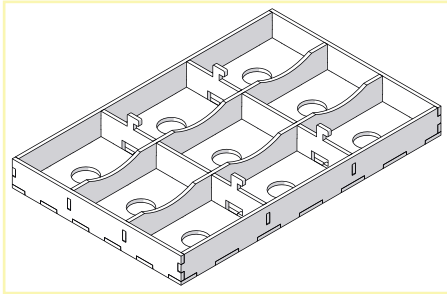
ONE SMART BOX

Frosthaven® Board Game Organizer

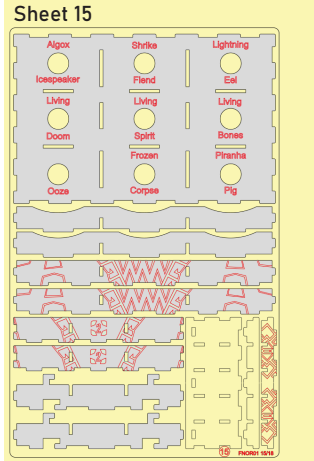
FNOR01

Compatible with Frosthaven® board game
Assembly Guide

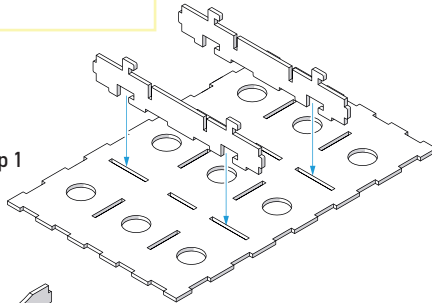
Monster Tray 2



Intended for monsters.



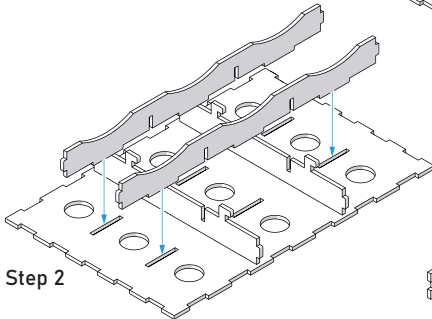
Step 1



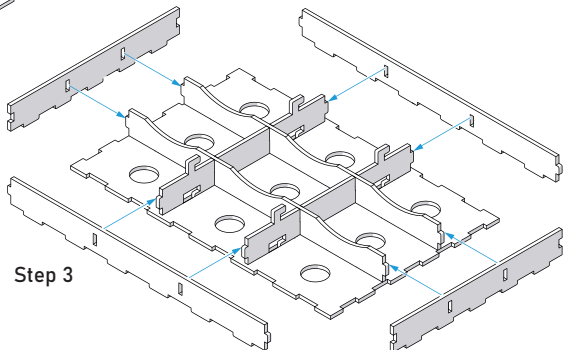
Please follow the engravings while assembling the Monster trays. The engravings should form a picture when all the trays are put on one another.



Step 2



Step 3





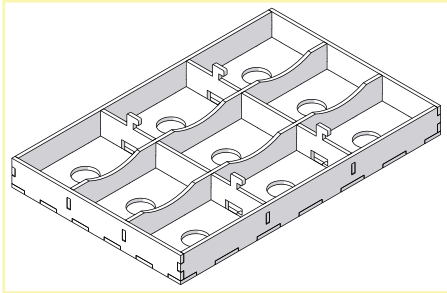
ONE SMART BOX

Frosthaven® Board Game Organizer

FNOR01

Compatible with Frosthaven® board game
Assembly Guide

Monster Tray 3

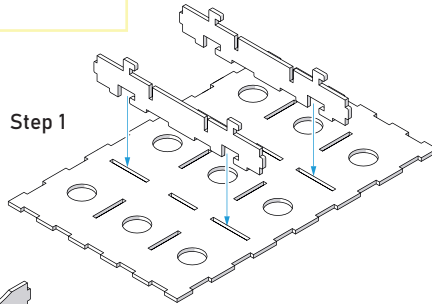


Intended for monsters.

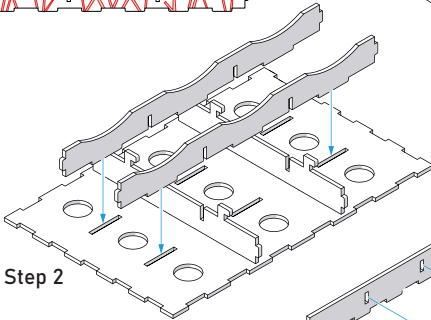
Please follow the engravings while assembling the Monster trays. The engravings should form a picture when all the trays are put on one another.



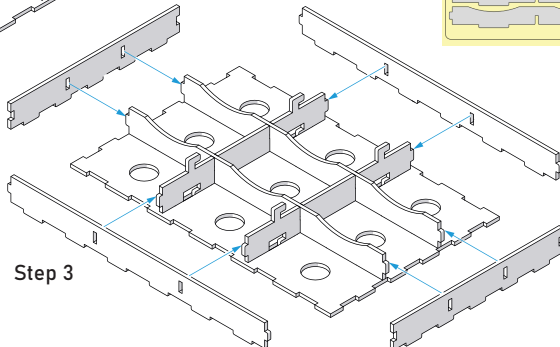
Step 1



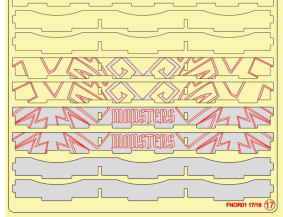
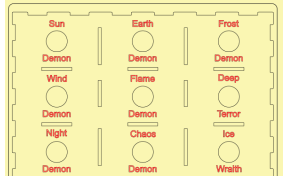
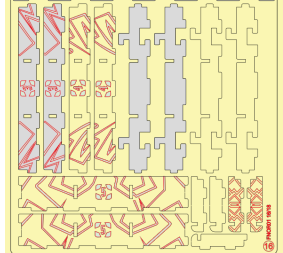
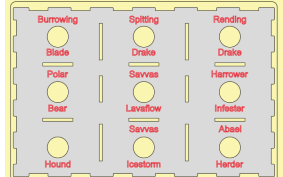
Step 2



Step 3



Sheets 16, 17





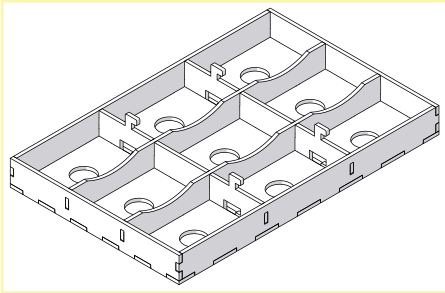
ONE SMART BOX

Frosthaven® Board Game Organizer

FNOR01

Compatible with Frosthaven® board game
Assembly Guide

Monster Tray 4

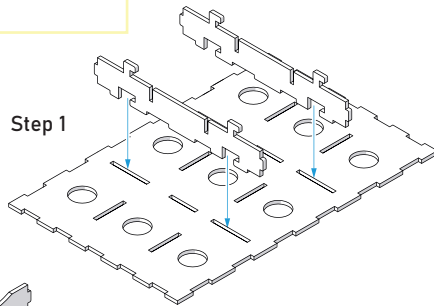


Intended for monsters.

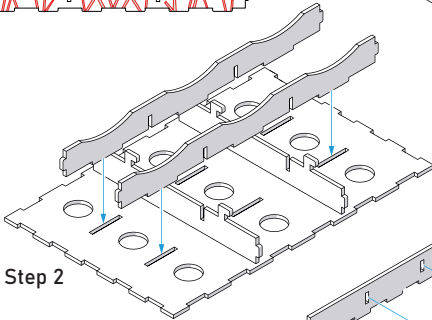
Please follow the engravings while assembling the Monster trays. The engravings should form a picture when all the trays are put on one another.



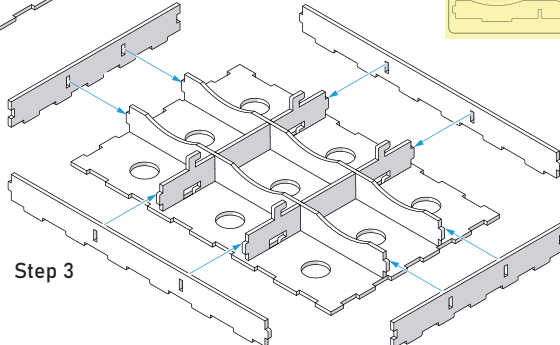
Step 1



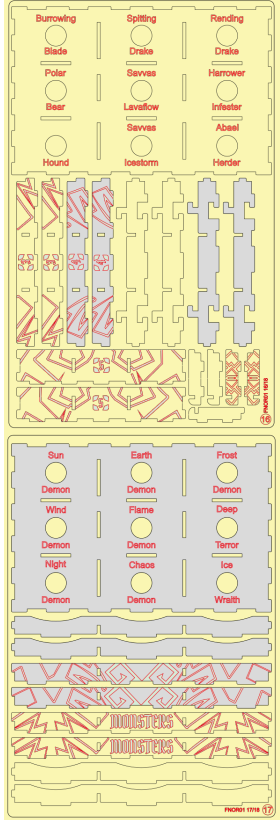
Step 2



Step 3



Sheets 16, 17



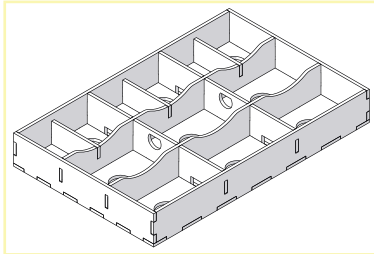


ONE SMART BOX

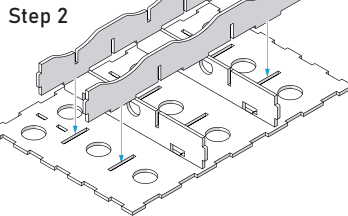
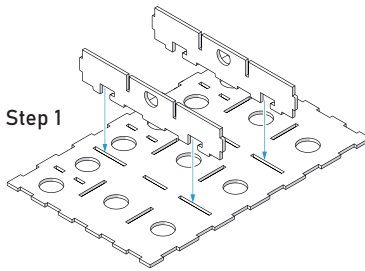
Frosthaven® Board Game Organizer FNOR01

Compatible with Frosthaven® board game
Assembly Guide

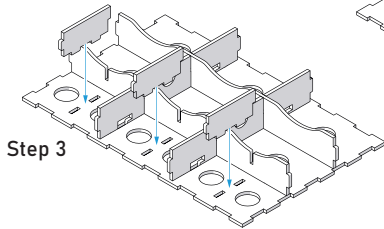
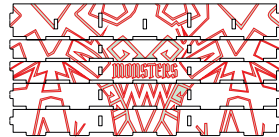
Monster Tray 5



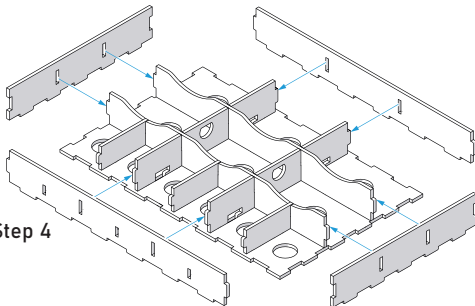
Intended for monsters.



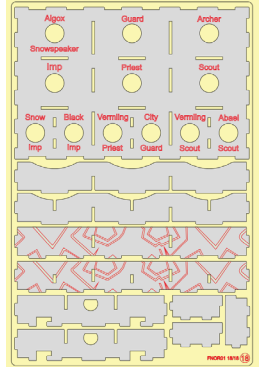
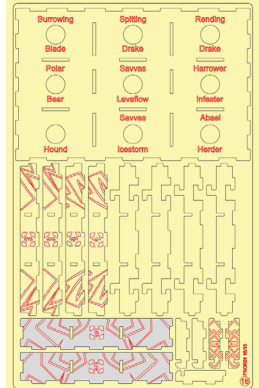
Please follow the engravings while assembling the Monster trays. The engravings should form a picture when all the trays are put on one another.



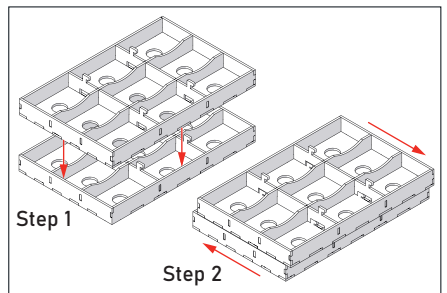
Step 4



Sheets 16, 18



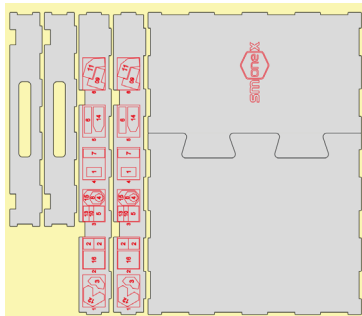
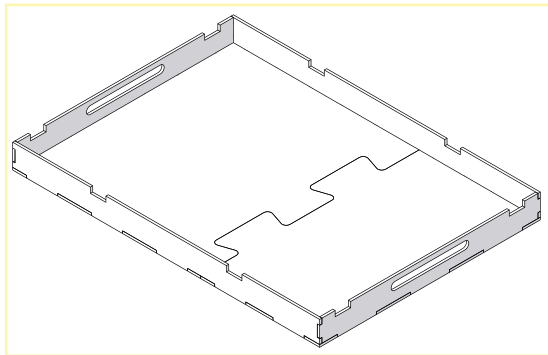
All 5 Monster stands are connected together with help of the special hooks.



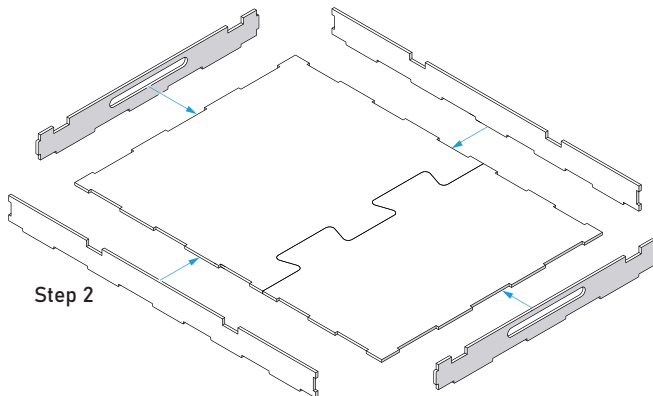
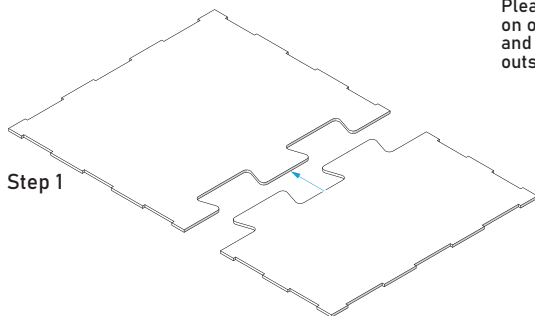


ONE SMART BOX
Frosthaven® Board Game Organizer
FNOR01
Compatible with Frosthaven® board game
Assembly Guide

Map Tiles Tray



The engravings on the side walls describe the order the tiles should be put into the tray in. Please mind that the engraving on one side will be on the inside and the second one will be on the outside of the box.





ONE SMART BOX

Some other SMONEX products:



Gloomhaven®
Organizer GNOR01








Gloomhaven: Jaws of the Lion®
Organizer JLOR01

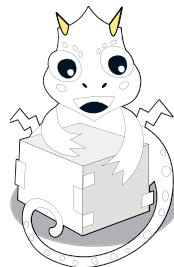
Welcome to [smonex.com](https://www.smonex.com)

If something is damaged or broken, please do not return the whole set. Contact us directly on email info@smonex.com or our website [smonex.com](https://www.smonex.com). Any questions or issues with the Smonex products, we'll do our best to help you. Your satisfaction of it is our top priority.

Thanks for choosing Smonex product. We would be grateful for your feedback, which inspires us and helps to develop further. We'll gladly help you on any matter if you contact us on info@smonex.com.

Share your photos with **#smonex** and follow us for all the updates:

-  www.facebook.com/Smonexcom
-  www.instagram.com/smonex_com
-  twitter.com/Smonex_com
-  www.pinterest.com/smonex/_shop
-  www.youtube.com/c/SmonexSmartOneBox



Scan QR-code
follow Smonex