



# ONE SMART BOX Cyclades® Organizer

CYSOR01

Compatible with Cyclades® board game with Titans,  
Monuments and Hades expansions  
Assembly Guide



<https://smonex.com>

NOT A CHILDREN TOY  
**AGE 14+**

Created for:

- Cyclades Base Game
- Cyclades: Hades
- Cyclades: Monuments
- Cyclades: Titans

Cyclades® is a registered trademark of Matagot. Any mention of Cyclades® is for reference purposes only. ALL RIGHTS RESERVED by their respective trademark holders. No challenge to any intellectual property rights is intended or implied by representations of compatibility and no endorsements of any of our products by any other company is implied or represented.



# ONE SMART BOX Cyclades® Organizer

CYSOR01

Compatible with Cyclades® board game with Titans,  
Monuments and Hades expansions  
Assembly Guide

## Tips and tricks

- To assemble each tray you need a wood glue for extra strength. (We recommend Titebond 2 Wood Glue or Beacon 527).
- Please make sure you assembled each tray correctly before gluing it together.
- Use stationery knife to cut the bits that connect details to the frame.
- Remove the details from the frame with a rotational motion along the axis formed by the bits you just cut.
- Use stationery knife and sandpaper to remove all the remaining connection bits.
- Please note that the engraving must be on the outside of the boxes.
- You may fix the box with rubber bands after gluing it. This will save you time and simplify the assembly.
- Make sure to remove the protective covering from BOTH sides of the acrylic pieces. Use a hairdryer for easier removal of it if necessary. Just heat the acrylic surface a little to remove the covering much easier!
- Leave your finished insert overnight to dry completely.

## Assembly Supplies



Wood-glue



Stationery knife



Hammer



Cotton swab



Rubber bands



Hairdryer

If something is damaged or broken, please do not return the whole set. Contact us directly on email [info@smonex.com](mailto:info@smonex.com) or our website [smonex.com](http://smonex.com). Any questions or issues with the Smonex products, we'll do our best to help you. We want our customers to be completely satisfied.

**IMPORTANT:** Assemble each tray one by one. Please DO NOT take out all the parts from the sheets and mix them. Even though some parts look similar, they are not interchangeable.

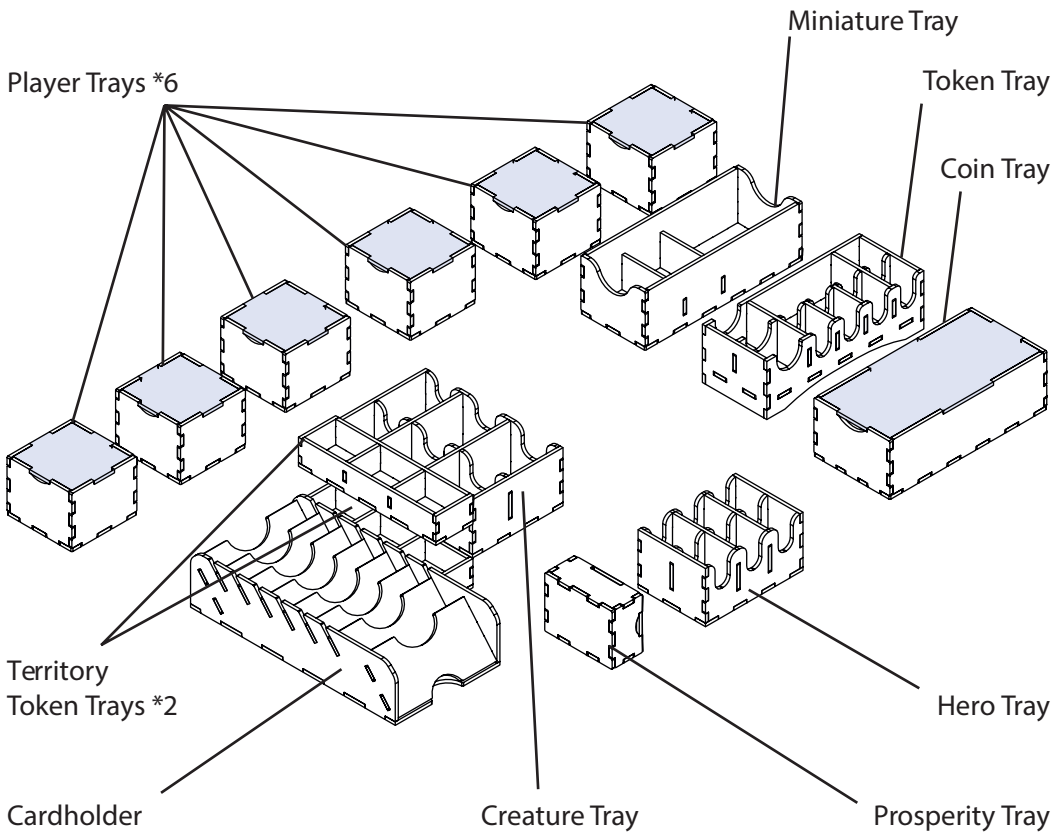


# ONE SMART BOX

## Cyclades® Organizer

CYSOR01

Compatible with Cyclades® board game with Titans,  
Monuments and Hades expansions  
Assembly Guide





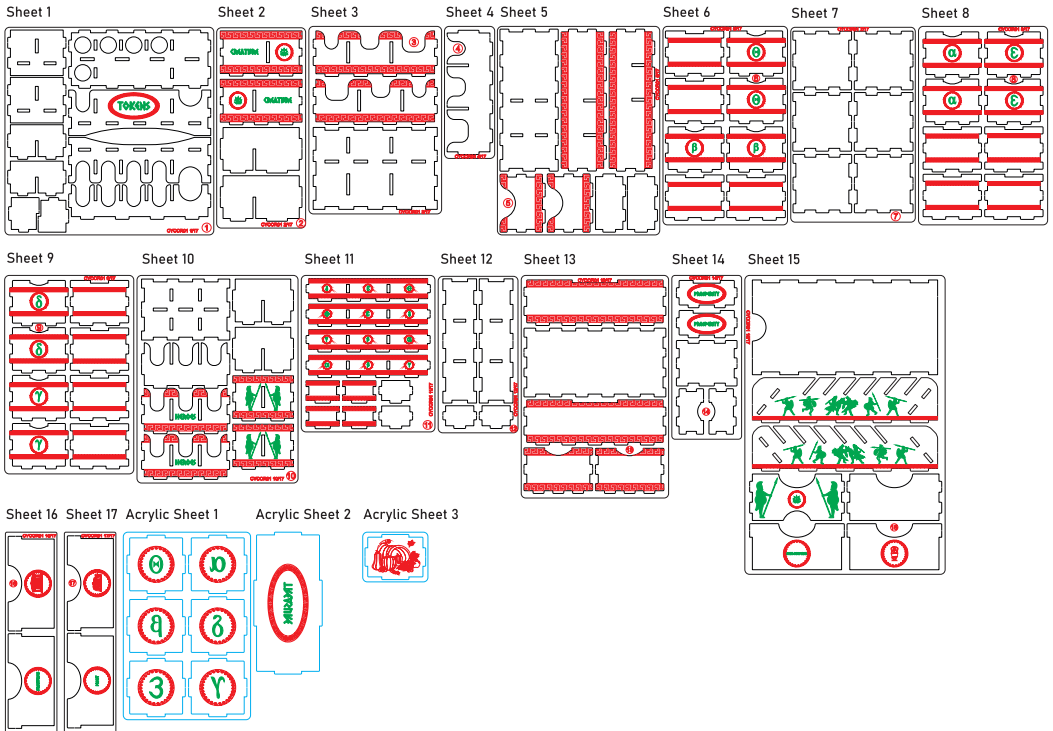
# ONE SMART BOX Cyclades® Organizer

CYSOR01

Compatible with Cyclades® board game with Titans,  
Monuments and Hades expansions  
Assembly Guide

## Brief assembly instructions:

1. Unpack and arrange the sheets in order.
2. Compare details on the sheets with details in the pictures of the guide.
3. Study the pictures of unassembled product.
4. Start your assembly, taking the necessary parts out of the sheets in a certain order.



## Legend:

- Details to be glued
- Details to be connected without glue

## Components:

- 17 sheets extrusion molds
- 3 acrylic sheets extrusion mold
- 1 sandpaper for stripping parts
- Assembly guide



# ONE SMART BOX Cyclades® Organizer

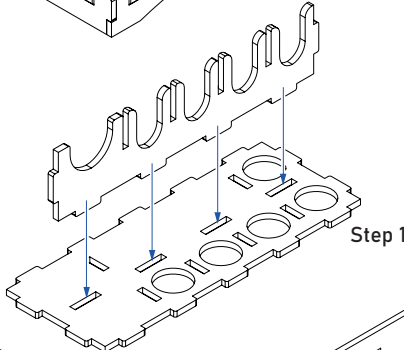
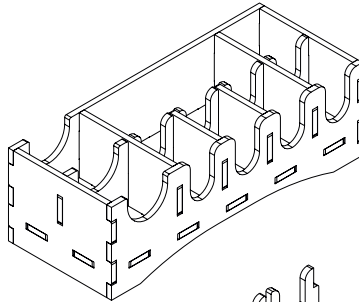
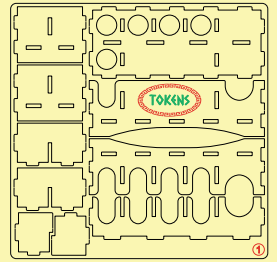
CYSOR01  
Compatible with Cyclades® board game with Titans,  
Monuments and Hades expansions  
Assembly Guide

## Token Tray

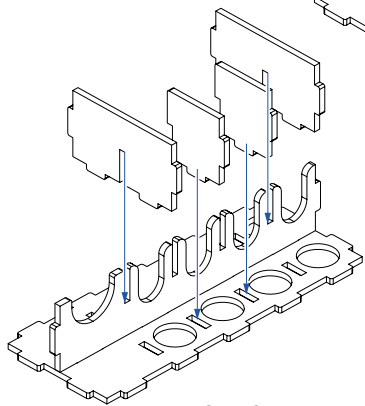


Intended for Buildings,  
Metropolises tokens and cubes.

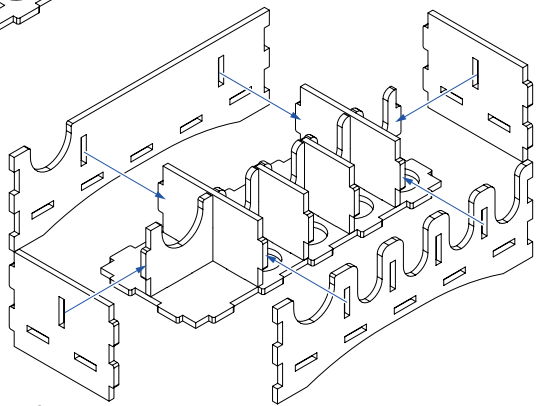
Sheet 1



Step 1



Step 2



Step 3



# ONE SMART BOX Cyclades® Organizer

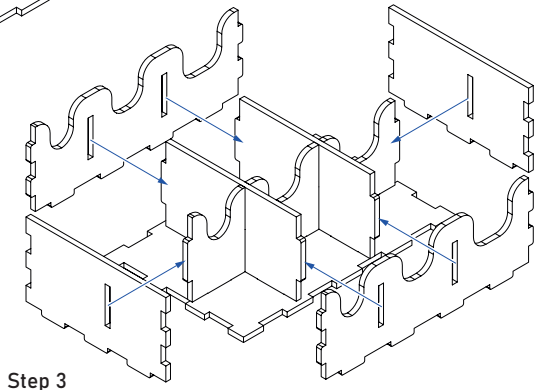
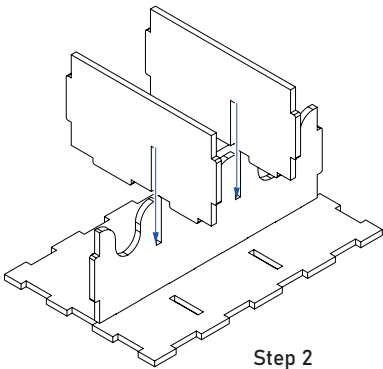
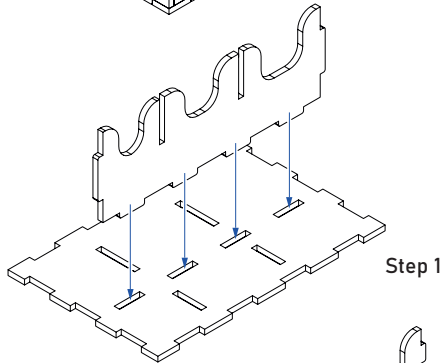
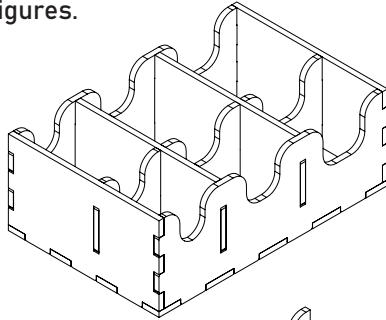
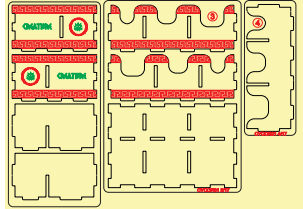
CYSOR01  
Compatible with Cyclades® board game with Titans,  
Monuments and Hades expansions  
Assembly Guide

## Creature Tray



Intended for Mythological Creatures figures.

Sheets 2, 3, 4





# ONE SMART BOX Cyclades® Organizer

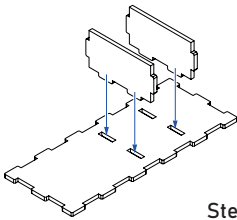
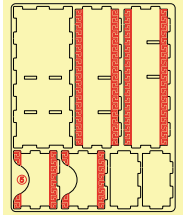
CYSOR01  
Compatible with Cyclades® board game with Titans,  
Monuments and Hades expansions  
Assembly Guide

## Miniature Tray

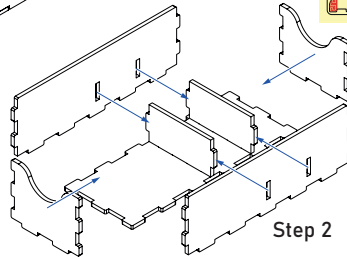
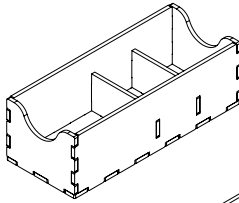


Intended for Undead, Monuments and Divine Artifacts miniatures.

Sheet 5



Step 1



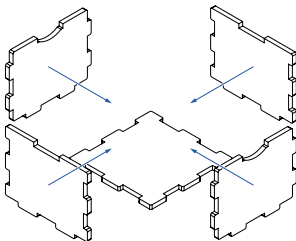
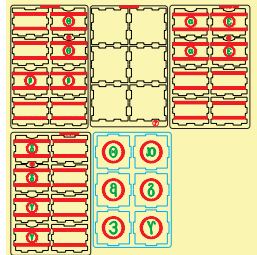
Step 2

## Player Trays \*6

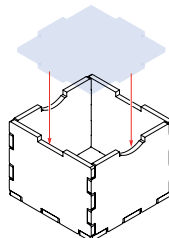
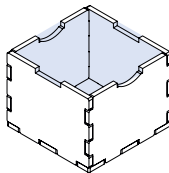


Intended for Troops, Fleet, Titans, and Offering tokens.

Sheets 6, 7, 8, 9,  
Acrylic Sheet 1



Step 1



Step 2

Until the glue has completely dried, make sure the lid fits the tray and can be easily removed. Put it back in its place on the tray. Only then carefully remove the protective covering.



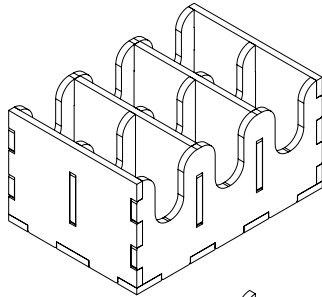
# ONE SMART BOX Cyclades® Organizer

CYSOR01  
Compatible with Cyclades® board game with Titans,  
Monuments and Hades expansions  
Assembly Guide

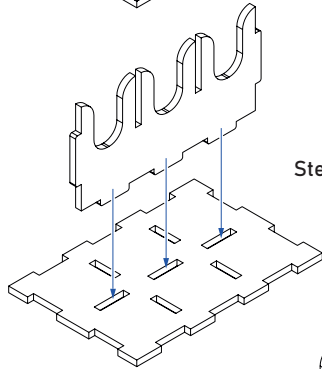
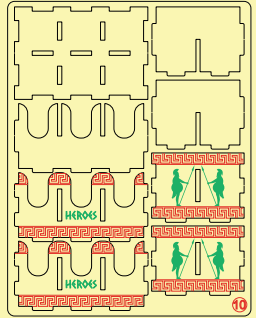
## Hero Tray



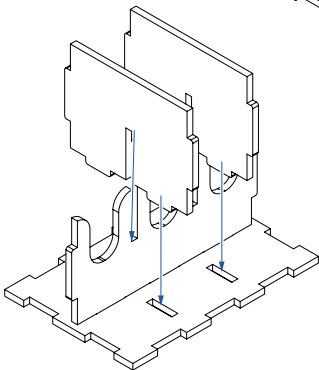
Intended for Hero figures.



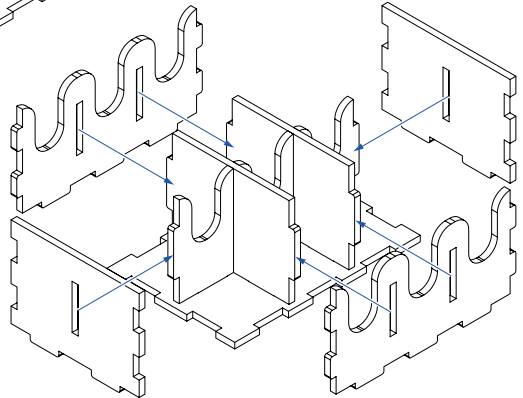
Sheet 10



Step 1



Step 2



Step 3





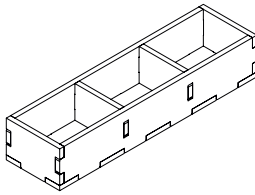
# ONE SMART BOX Cyclades® Organizer

CYSOR01  
Compatible with Cyclades® board game with Titans,  
Monuments and Hades expansions  
Assembly Guide

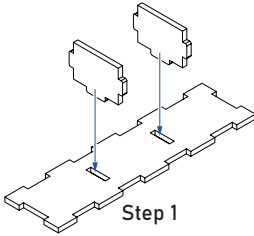
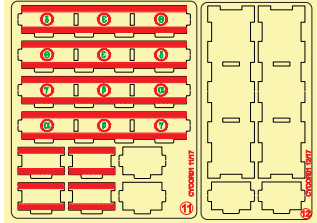
## Territory Token Trays \*2



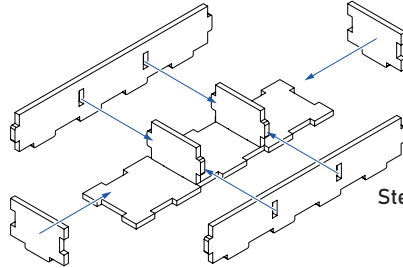
Intended for Territory tokens.



Sheets 11, 12



Step 1

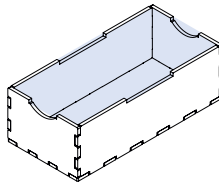


Step 2

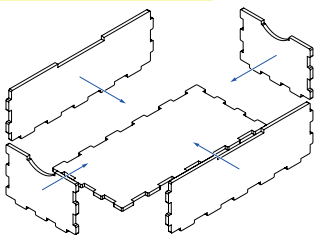
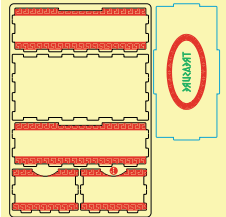
## Coin Tray



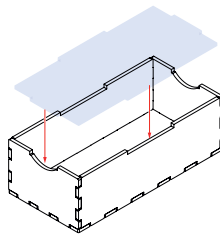
Intended for Gold pieces.



Sheet 13,  
Acrylic Sheet 2



Step 1



Step 2

Until the glue has completely dried, make sure the lid fits the tray and can be easily removed. Put it back in its place on the tray. Only then carefully remove the protective covering.



# ONE SMART BOX Cyclades® Organizer

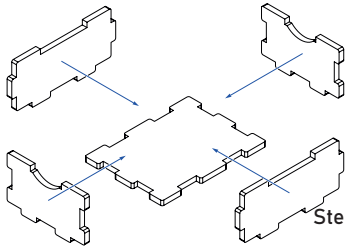
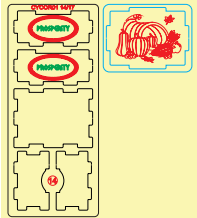
CYS0R01  
Compatible with Cyclades® board game with Titans,  
Monuments and Hades expansions  
Assembly Guide

## Prosperity Tray

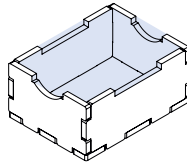
Intended for Prosperity markers.



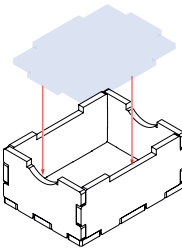
Sheet 14,  
Acrylic Sheet 3



Step 1



Step 2



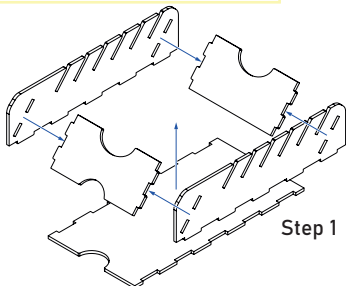
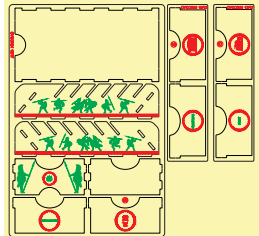
Until the glue has completely dried, make sure the lid fits the tray and can be easily removed. Put it back in its place on the tray. Only then carefully remove the protective covering.

## Cardholder

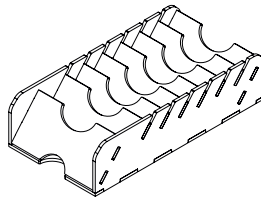
Intended for cards.



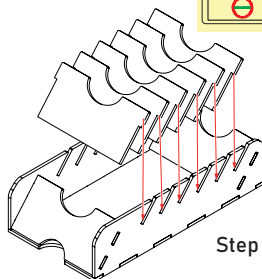
Sheets 15, 16, 17



Step 1



Step 2





## ONE SMART BOX

Some other SMONEX products:  
Teotihuacan® Organizer TNOR01



Clans of Caledonia® Organizer COCOR01





ONE SMART BOX

Welcome to <https://smonex.com>.

If something is damaged or broken, please do not return the whole set. Contact us directly on email [info@smonex.com](mailto:info@smonex.com) or our website [smonex.com](https://smonex.com).

Any questions or issues with the Smonex products, we'll do our best to help you. Your satisfaction of it is our top priority.

Thanks for choosing Smonex product. We would be grateful for your feedback, which inspires us and helps to develop further. We'll gladly help you on any matter if you contact us on [info@smonex.com](mailto:info@smonex.com).

Share your photos with **#smonex** and follow us for all the updates:



<https://www.facebook.com/Smonexcom>

[https://www.instagram.com/smonex\\_com/](https://www.instagram.com/smonex_com/)

[https://twitter.com/Smonex\\_com](https://twitter.com/Smonex_com)

[https://www.pinterest.com/smonex/\\_shop/](https://www.pinterest.com/smonex/_shop/)

<https://www.youtube.com/c/SmonexSmartOneBox>



Scan QR-code to visit or follow Smonex.