



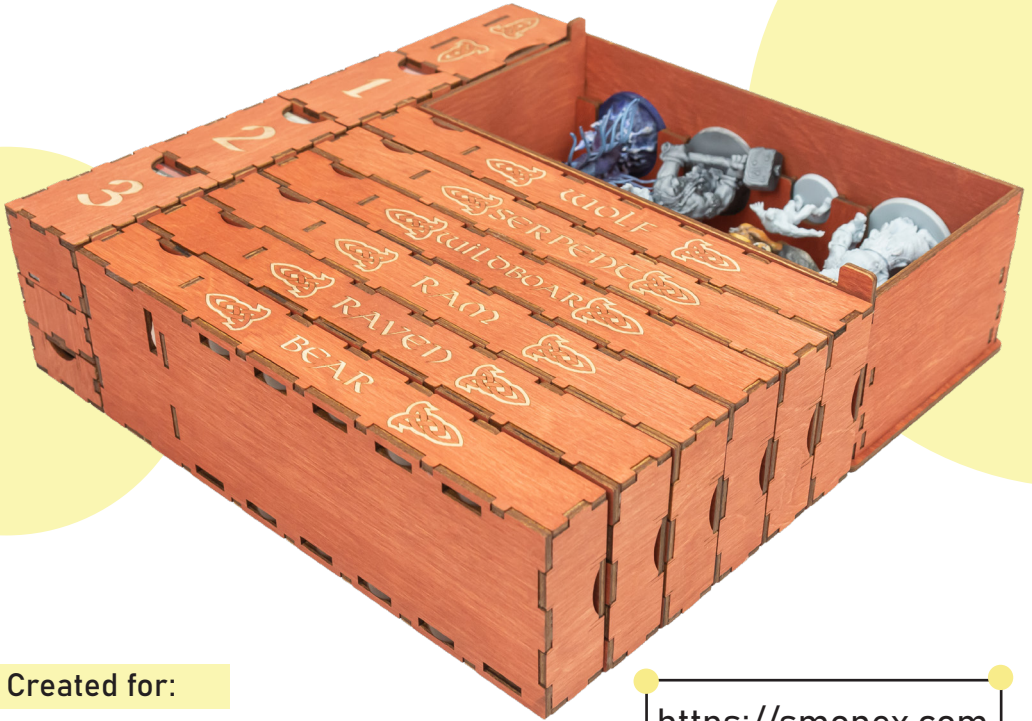
ONE SMART BOX

Blood Rage® Organizer

BROR01

Compatible with Blood Rage® base game and its expansions

Assembly Guide



Created for:

- Blood Rage
- Blood Rage: Mountain Giant
- Blood Rage: Wolfman
- Blood Rage: Mystic Troll
- Blood Rage: Fenrir
- Blood Rage: Gods of Asgard
- Blood Rage: Mystics of Midgard
- Blood Rage: Wildboar Clan Expansion
- Blood Rage: 5th Player Expansion

<https://smonex.com>

NOT A CHILDREN TOY
AGE 14+

Blood Rage® is a registered trademark of Cool Mini Or Not. Any mention of Blood Rage® is for reference purposes only. ALL RIGHTS RESERVED by their respective trademark holders. No challenge to any intellectual property rights is intended or implied by representations of compatibility and no endorsements of any of our products by any other company is implied or represented.



ONE SMART BOX

Blood Rage® Organizer BROR01

Compatible with Blood Rage® base game and its expansions
Assembly Guide

Tips and tricks

- To assemble each tray you need a wood glue for extra strength. (We recommend Titebond 2 Wood Glue or Beacon 527).
- Please make sure you assembled each tray correctly before gluing it together.
- Use stationery knife to cut the bits that connect details to the frame.
- Remove the details from the frame with a rotational motion along the axis formed by the bits you just cut.
- Use stationery knife and sandpaper to remove all the remaining connection bits.
- Please note that the engraving must be on the outside of the boxes.
- You may fix the box with rubber bands after gluing it. This will save you time and simplify the assembly.
- Make sure to remove the protective covering from BOTH sides of the acrylic pieces. Use a hairdryer for easier removal of it if necessary. Just heat the acrylic surface a little to remove the covering much easier!
- Leave your finished insert overnight to dry completely.

Assembly Supplies



Wood-glue



Stationery knife



Hammer



Cotton swab



Rubber bands



Hairdryer

If something is damaged or broken, please do not return the whole set. Contact us directly on email info@smonex.com or our website smonex.com. Any questions or issues with the Smonex products, we'll do our best to help you. We want our customers to be completely satisfied.

IMPORTANT: Assemble each tray one by one. Please DO NOT take out all the parts from the sheets and mix them. Even though some parts look similar, they are not interchangeable.



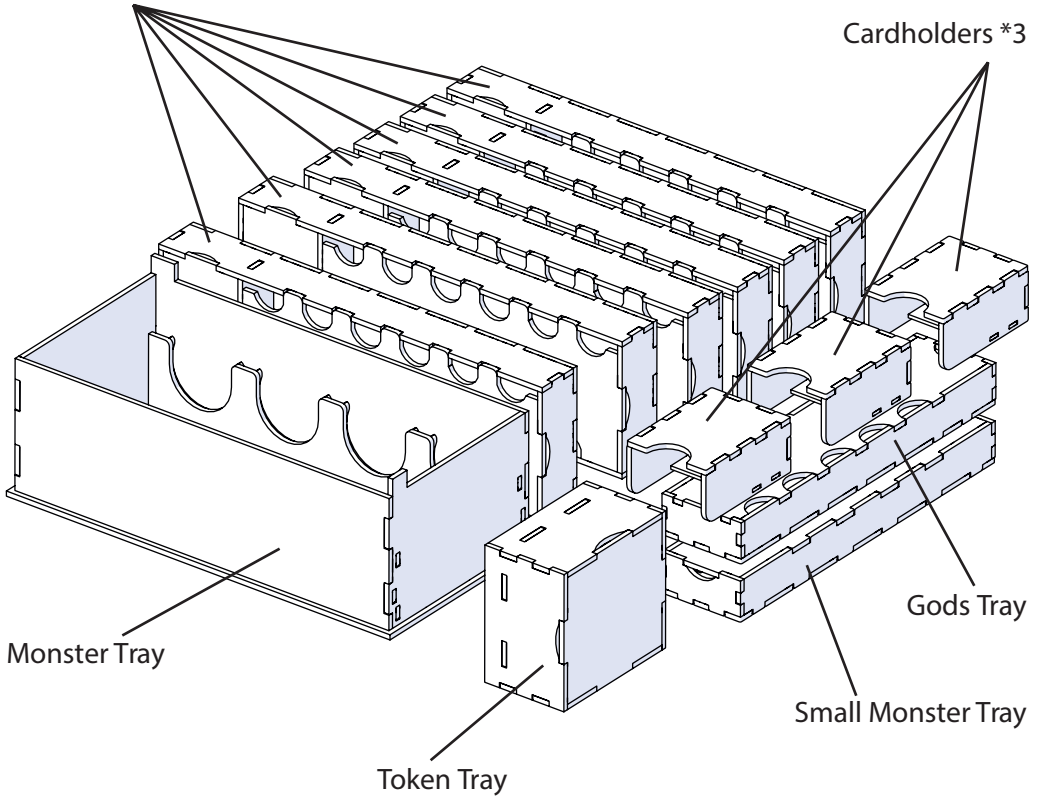
ONE SMART BOX

Blood Rage® Organizer BROR01

Compatible with Blood Rage® base game and its expansions
Assembly Guide

Player Trays *6

Cardholders *3



Monster Tray

Gods Tray

Small Monster Tray

Token Tray

The organizer does NOT fit the Kickstarter Exclusives.



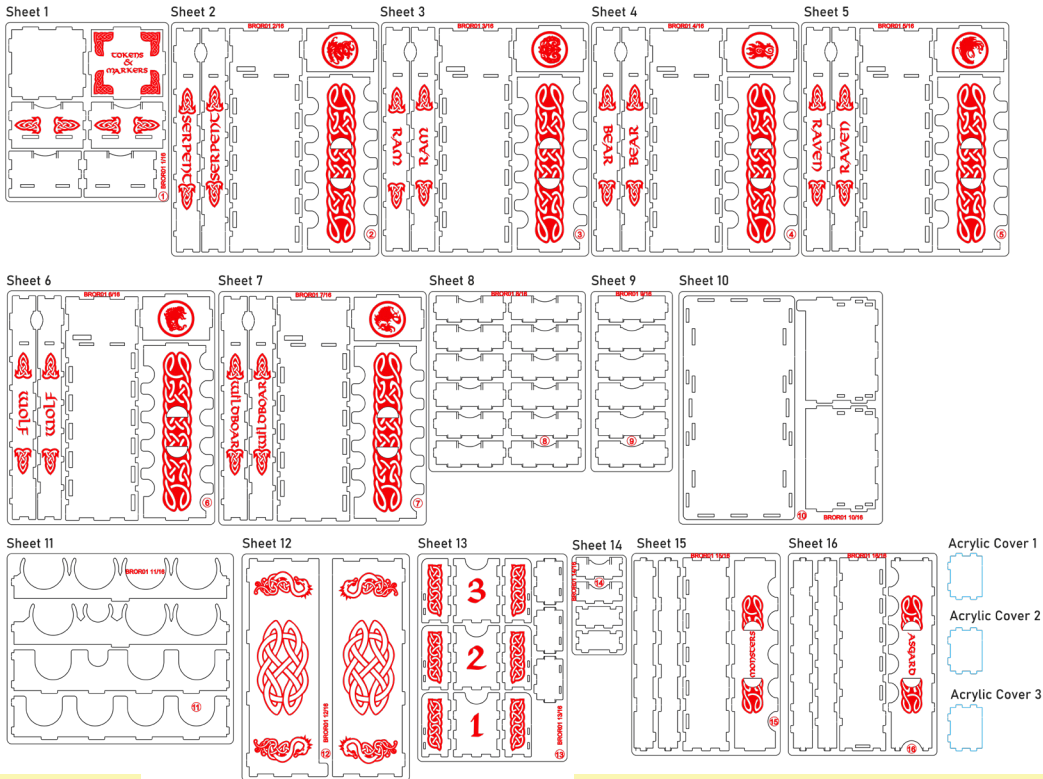
ONE SMART BOX

Blood Rage® Organizer BROR01





Compatible with Blood Rage® base game and its expansions
Assembly Guide

Brief assembly instructions:

1. Unpack and arrange the sheets in order.
2. Compare details on the sheets with details in the pictures of the guide.
3. Study the pictures of unassembled product.
4. Start your assembly, taking the necessary parts out of the sheets in a certain order.



Legend:

-  Details to be extruded
-  Details not used in this assembly
-  Details to be glued
-  Details to be connected without glue

Components:

- 15 sheets extrusion molds
- 3 acrylic covers
- 1 sandpaper for stripping parts
- Assembly guide



ONE SMART BOX

Blood Rage® Organizer

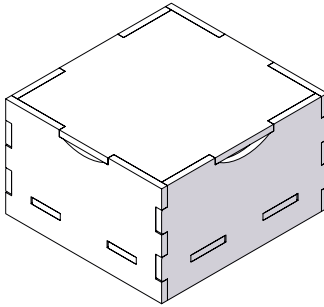
BROR01

Compatible with Blood Rage® base game and its expansions

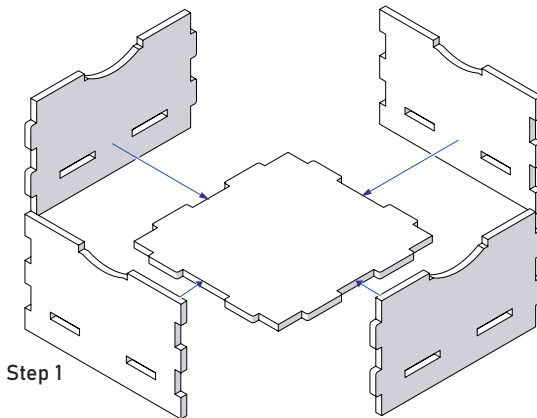
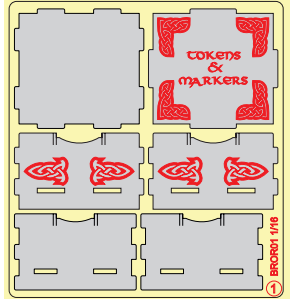
Assembly Guide

Token Tray

Intended for Pillage, First Player, Saga, Doom and Ragnarok tokens.



Sheet 1



Step 1



ONE SMART BOX

Blood Rage® Organizer

BROR01

Compatible with Blood Rage® base game and its expansions

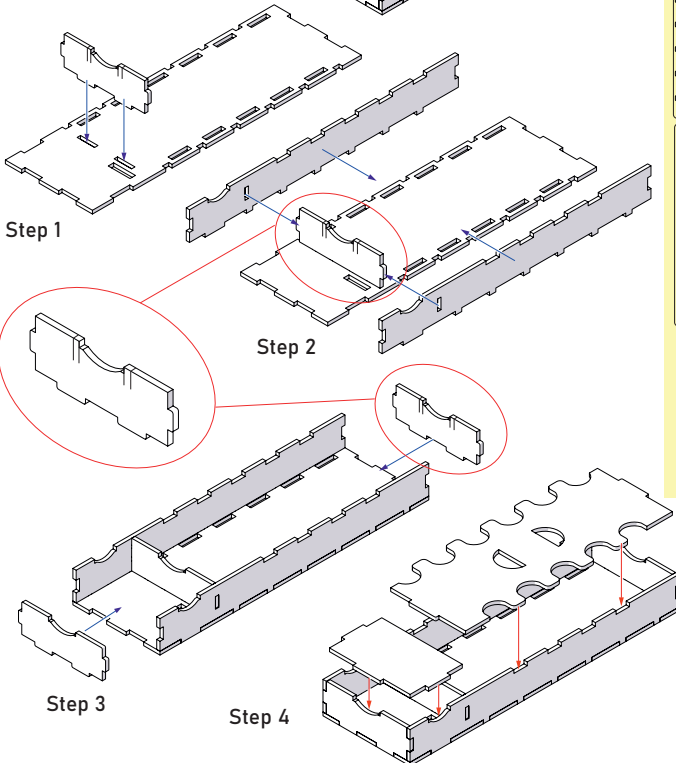
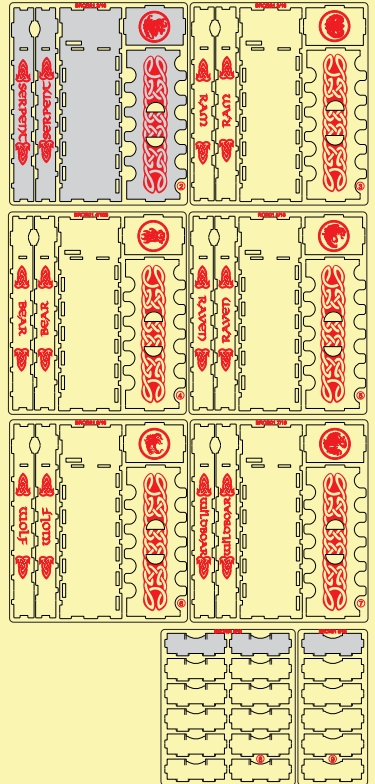
Assembly Guide

Player Trays *6



Intended for Clan and Glory tokens, Warriors, Leaders, Ships, Mystics and Plastic Bases.

Sheets 2, 3, 4, 5, 6, 7, 8, 9



To assemble each tray you will need 2 details from Sheet 8 and 1 from Sheet 9.

The Leaders, Warriors and Mystics figures go to the bigger cell of the tray. The Ship figure should be put in the smaller cell - there's a special slot for it in the bottom part.



ONE SMART BOX

Blood Rage® Organizer

BROR01

Compatible with Blood Rage® base game and its expansions

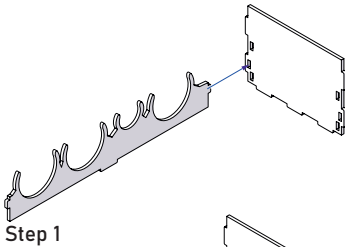
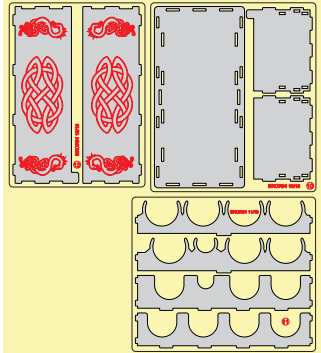
Assembly Guide

Monster Tray

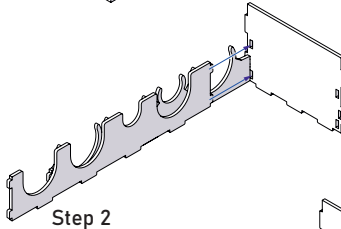
Intended for Troll, Frost Giant, Fire Giant, Sea Serpent, Mystic Troll, Fenrir, Mountain Giant and Wolfman figures.



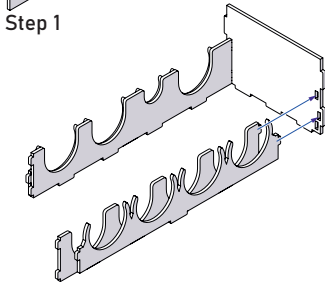
Sheets 10, 11, 12



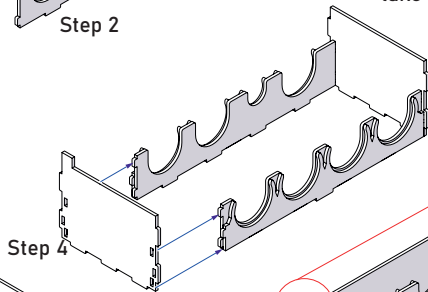
Step 1



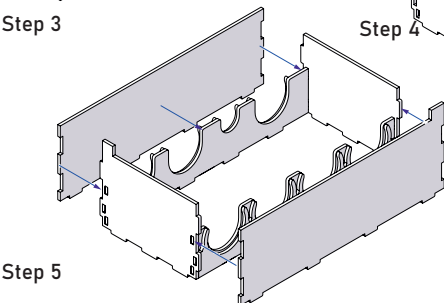
Step 2



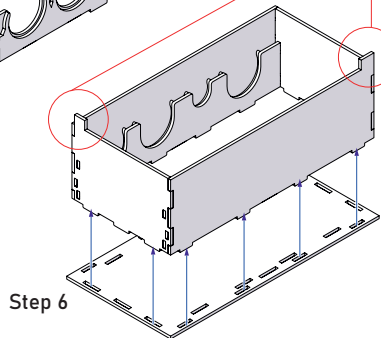
Step 3



Step 4



Step 5



Step 6

Assemble this tray carefully to prevent the thin inner details from breaking. Please mind, that the first time you place the figures into the holders they will fit tightly. The slots will widen a bit with time, so you will be able to take out the monsters easily.

Please mind that the bulges on the walls of the box should be on different sides.



ONE SMART BOX

Blood Rage® Organizer BROR01

Compatible with Blood Rage® base game and its expansions

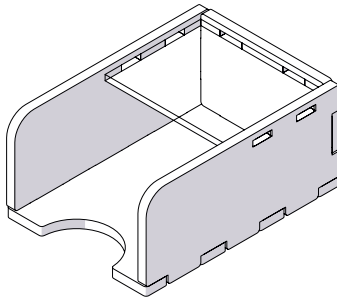
Assembly Guide

Cardholders *3

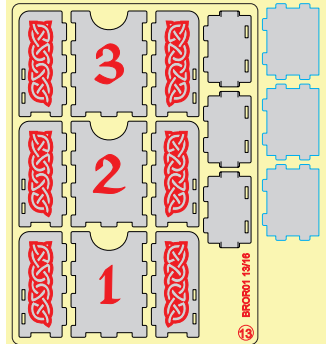


Please mind that the engravings should be on the outside of the boxes.

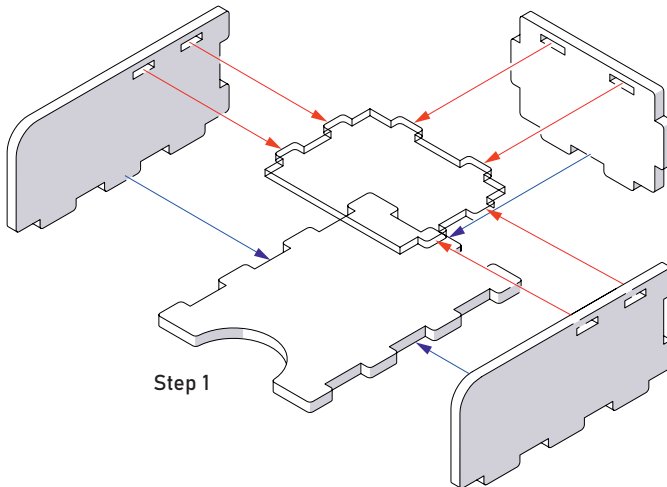
Intended for Cards.



Sheet 13, Acrylic Covers 1, 2, 3



Until the glue has completely dried, make sure the lid fits the tray and can be easily removed. Put it back in its place on the tray. Only then carefully remove the protective covering.



Step 1



ONE SMART BOX

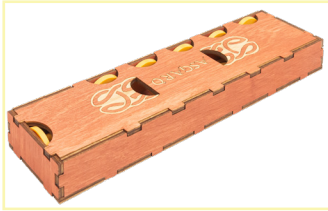
Blood Rage® Organizer

BROR01

Compatible with Blood Rage® base game and its expansions

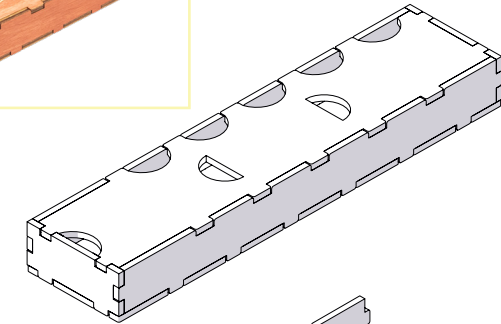
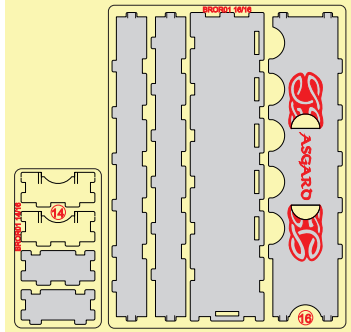
Assembly Guide

Gods Tray

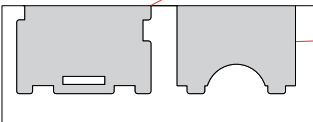
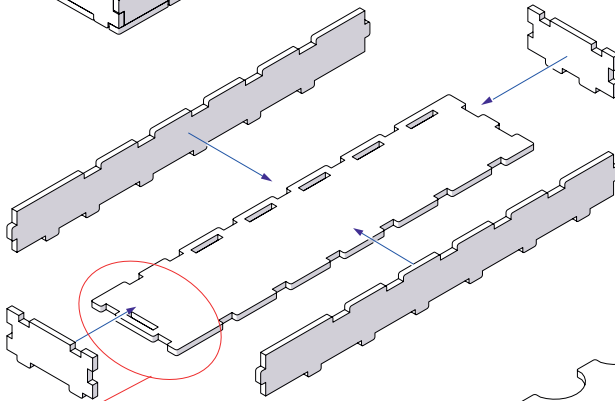


Intended for Odin, Thor, Tyr, Frigga, Loki and Heimdall figures.

Sheets 14, 15

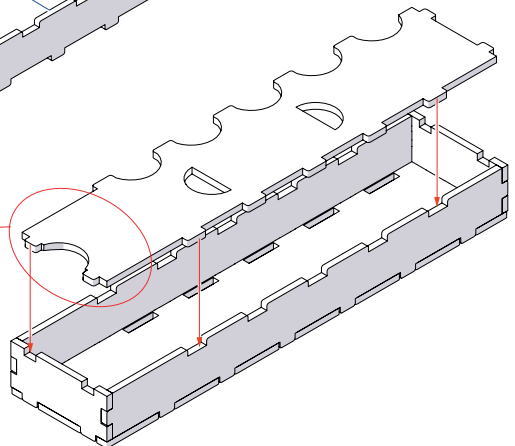


Step 1



Please mind that the slots on the cover and the bottom should be on the same side of the tray. Otherwise, you won't be able to close the box.

Step 2





ONE SMART BOX

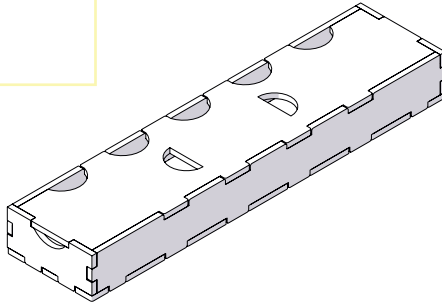
Blood Rage® Organizer BROR01

Compatible with Blood Rage® base game and its expansions

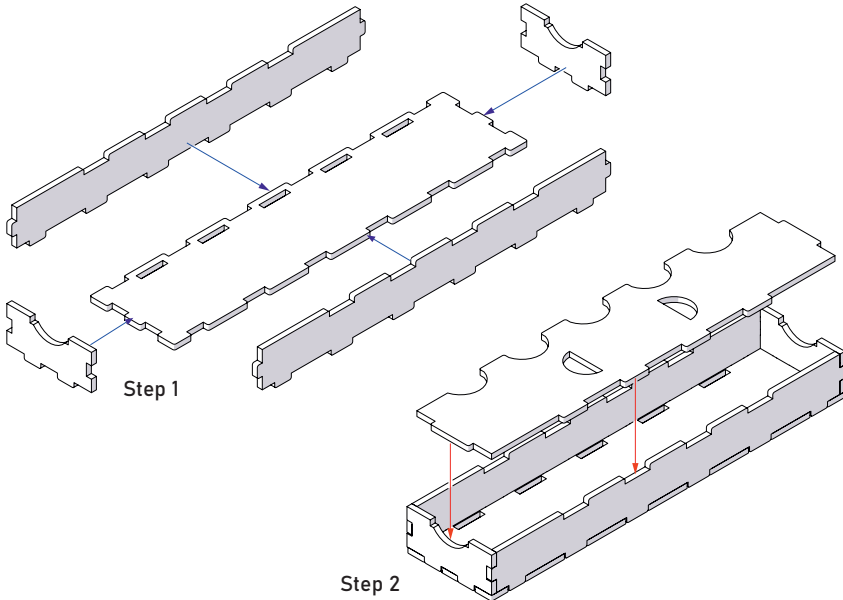
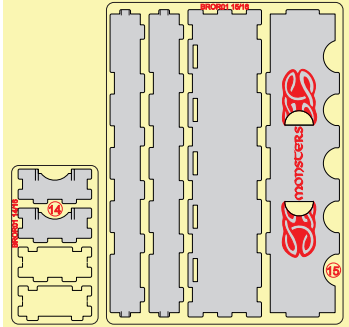
Assembly Guide

Small Monster Tray

Intended for Dwarf,
Chieftain, Soldier of Hel,
Dark Elf, Valkyrie and
Volur Witch figures.



Sheets 14, 16





ONE SMART BOX

Some other SMONEX products:

Lost Ruins of Arnak® Organizer LRAOR01



Cyclades® Organizer CYSOR01





ONE SMART BOX






Welcome to <https://smonex.com>.

If something is damaged or broken, please do not return the whole set. Contact us directly on email info@smonex.com or our website smonex.com.

Any questions or issues with the Smonex products, we'll do our best to help you. Your satisfaction of it is our top priority.

Thanks for choosing Smonex product. We would be grateful for your feedback, which inspires us and helps to develop further. We'll gladly help you on any matter if you contact us on info@smonex.com.

Share your photos with **#smonex** and follow us for all the updates:

-  <https://www.facebook.com/Smonexcom>
-  https://www.instagram.com/smonex_com/
-  https://twitter.com/Smonex_com
-  https://www.pinterest.com/smonex/_shop/
-  <https://www.youtube.com/c/SmonexSmartOneBox>



Scan QR-code to visit or follow Smonex.