



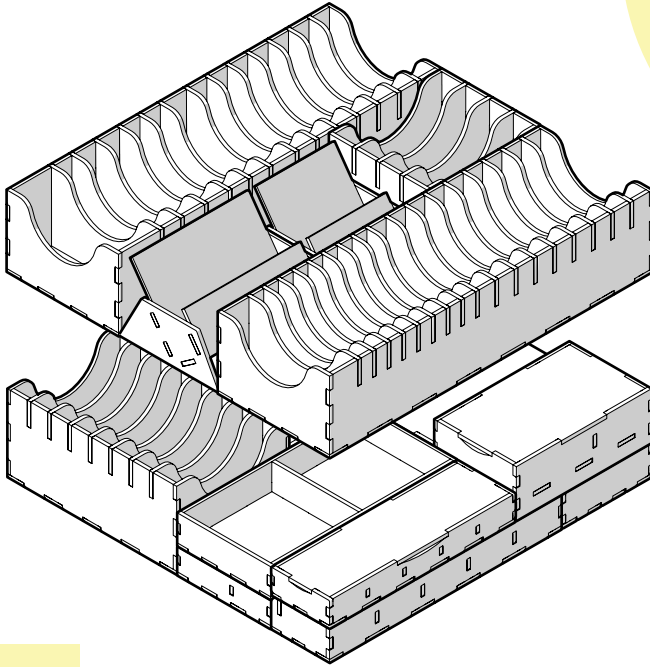
ONE SMART BOX

Arkham Horror® 3rd Edition Board Game Organizer

AHOR01

Compatible with Arkham Horror® 3rd Edition board game with
Under Dark Waves, Dead of Night, Secret of the Order expansions

Assembly Guide



Created for:

- Arkham Horror (3rd Edition) Base Game
- Arkham Horror (3rd Edition):
Dead of Night Expansion
- Arkham Horror (3rd Edition):
Secret of the Order Expansion
- Arkham Horror (3rd Edition):
Under Dark Waves Expansion

smonex.com

NOT A CHILDREN TOY
AGE 14+

Arkham Horror® is a registered trademark of Fantasy Flight Games. Any mention of Arkham Horror® is for reference purposes only. ALL RIGHTS RESERVED by their respective trademark holders. No challenge to any intellectual property rights is intended or implied by representations of compatibility and no endorsements of any of our products by any other company is implied or represented.



ONE SMART BOX

Arkham Horror® 3rd Edition Board Game Organizer AHOR01

Compatible with Arkham Horror® 3rd Edition board game with Under Dark Waves, Dead of Night, Secret of the Order expansions
Assembly Guide

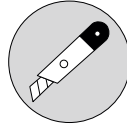
Tips and tricks

- To assemble each tray you need a wood glue for extra strength. (We recommend Titebond 2 Wood Glue or Beacon 527).
- Please make sure you assembled each tray correctly before gluing it together.
- Use stationery knife to cut the bits that connect details to the frame.
- Remove the details from the frame with a rotational motion along the axis formed by the bits you just cut.
- Use stationery knife and sandpaper to remove all the remaining connection bits.
- Please note that the engraving must be on the outside of the boxes.
- You may fix the box with rubber bands after gluing it. This will save you time and simplify the assembly.
- Leave your finished insert overnight to dry completely.

Assembly Supplies



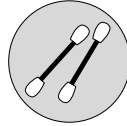
Wood-glue



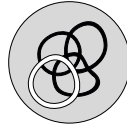
Stationery knife



Hammer



Cotton swab



Rubber bands

If something is damaged or broken, please do not return the whole set. Contact us directly on email info@smonex.com or our website smonex.com. Any questions or issues with the Smonex products, we'll do our best to help you. We want our customers to be completely satisfied.

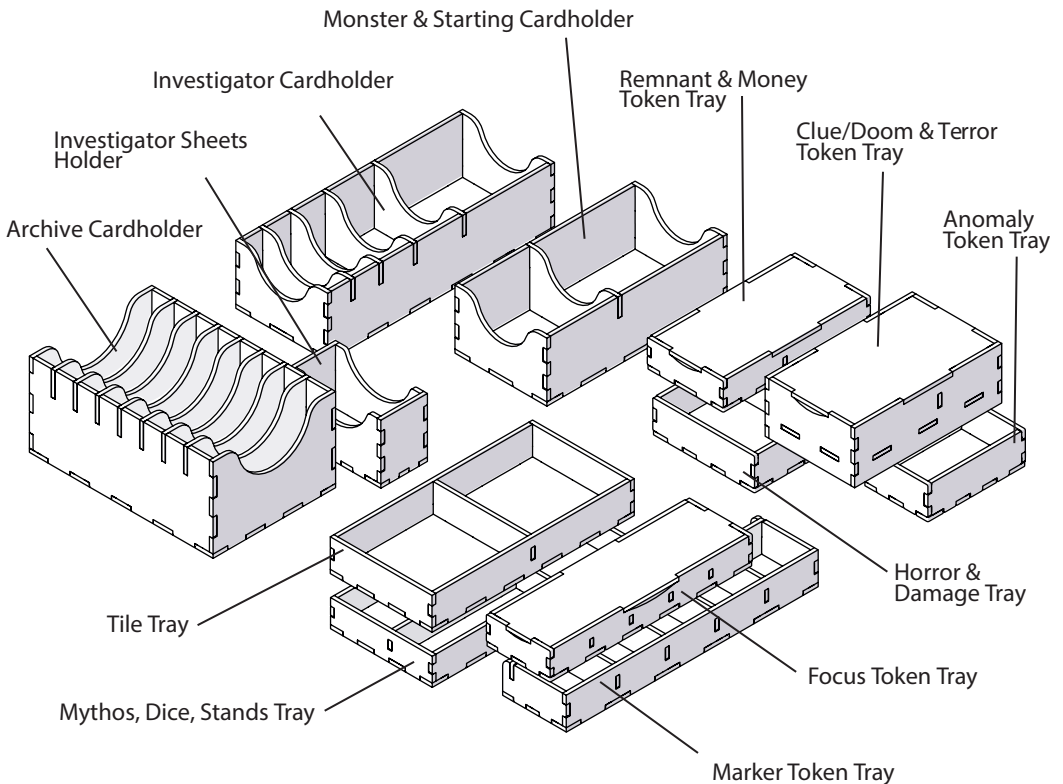
IMPORTANT: Assemble each tray one by one. Please DO NOT take out all the parts from the sheets and mix them. Even though some parts look similar, they are not interchangeable.



ONE SMART BOX

Arkham Horror® 3rd Edition Board Game Organizer AHOR01

Compatible with Arkham Horror® 3rd Edition board game with Under
Dark Waves, Dead of Night, Secret of the Order expansions
Assembly Guide

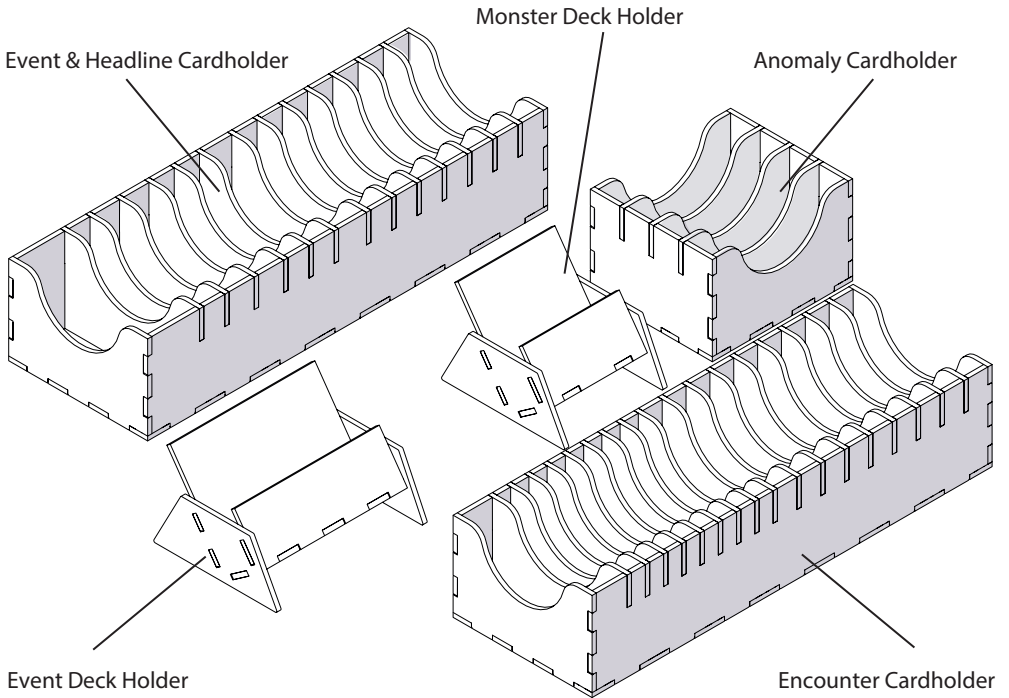




ONE SMART BOX

Arkham Horror® 3rd Edition Board Game Organizer AHOR01

Compatible with Arkham Horror® 3rd Edition board game with Under
Dark Waves, Dead of Night, Secret of the Order expansions
Assembly Guide





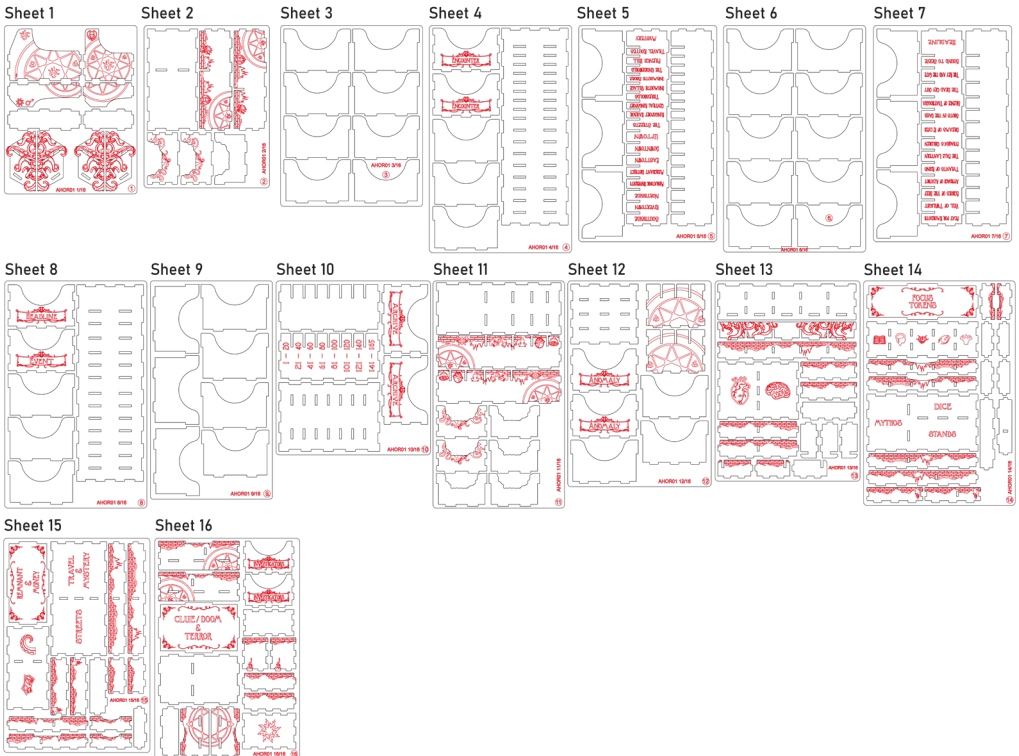
ONE SMART BOX

Arkham Horror® 3rd Edition Board Game Organizer AHOR01





Compatible with Arkham Horror® 3rd Edition board game with Under Dark Waves, Dead of Night, Secret of the Order expansions
Assembly Guide

Brief assembly instructions:

1. Unpack and arrange the sheets in order.
2. Compare details on the sheets with details in the pictures of the guide.
3. Study the pictures of unassembled product.
4. Start your assembly, taking the necessary parts out of the sheets in a certain order.



Legend:

-  Details to be extruded
-  Details not used in this assembly
-  Details to be glued
-  Details to be connected without glue

Components:

- 16 sheets extrusion molds
- 1 sandpaper for stripping parts
- Assembly guide

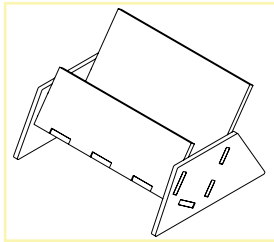


ONE SMART BOX

Arkham Horror® 3rd Edition Board Game Organizer AHOR01

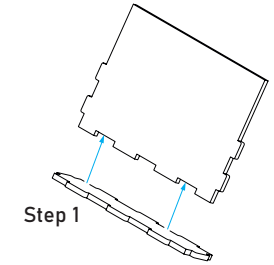
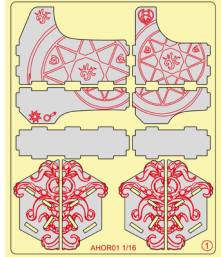
Compatible with Arkham Horror® 3rd Edition board game with Under
Dark Waves, Dead of Night, Secret of the Order expansions
Assembly Guide

Event Deck & Monster Deck Holders

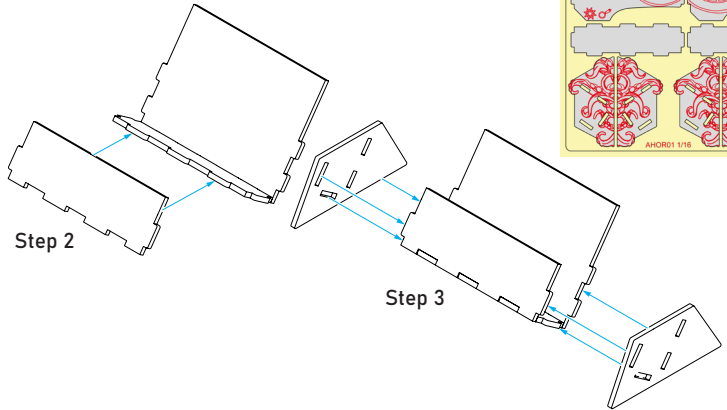


Intended to hold Event and Monster decks.

Sheet 1

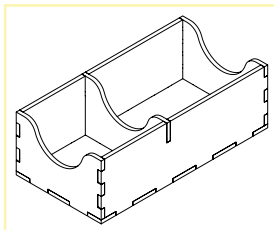


Step 2



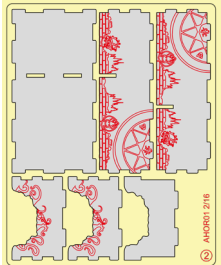
Step 3

Monster & Starting Cardholder

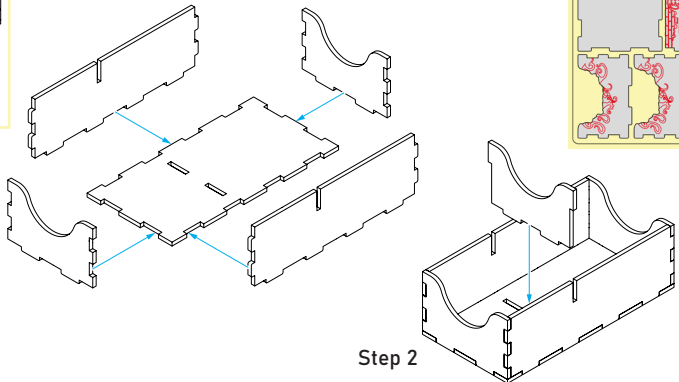


Intended for Monster and Starting cards

Sheet 2



Step 1



Step 2

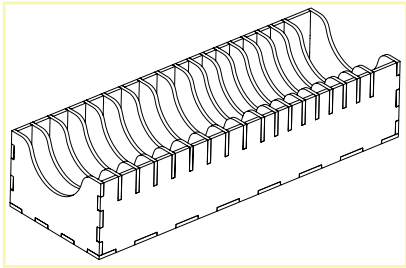


ONE SMART BOX

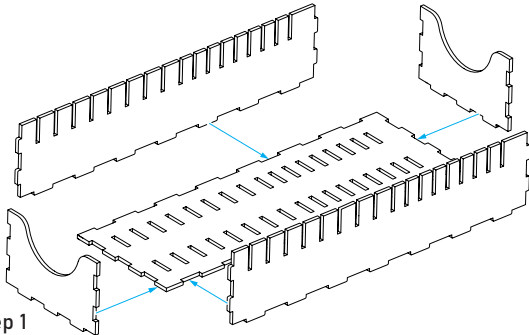
Arkham Horror® 3rd Edition Board Game Organizer AHOR01

Compatible with Arkham Horror® 3rd Edition board game with Under Dark Waves, Dead of Night, Secret of the Order expansions
Assembly Guide

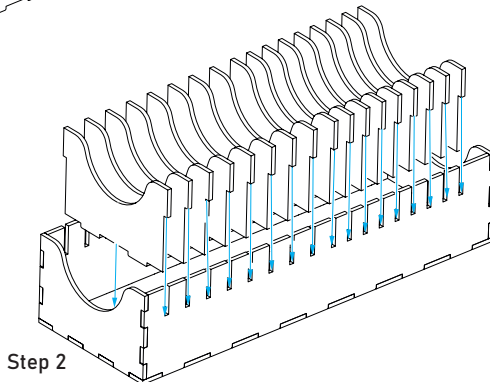
Encounter Cardholder



Intended for
Encounter and
Mystery cards.

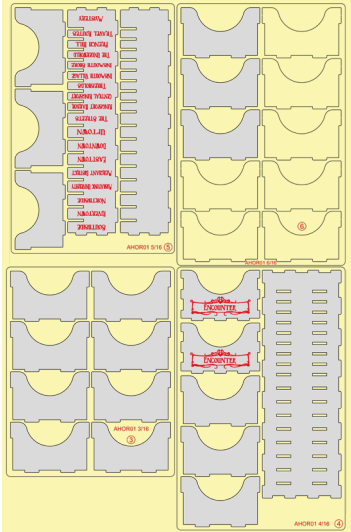


Step 1



Step 2

Sheets 3, 4, 5, 6



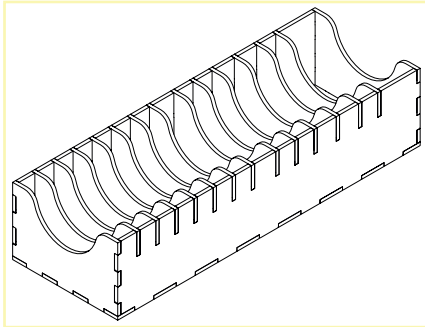


ONE SMART BOX

Arkham Horror® 3rd Edition Board Game Organizer AHOR01

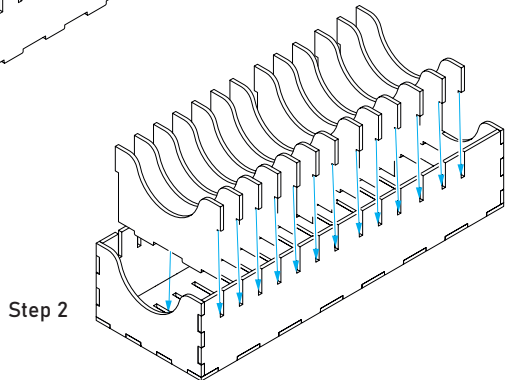
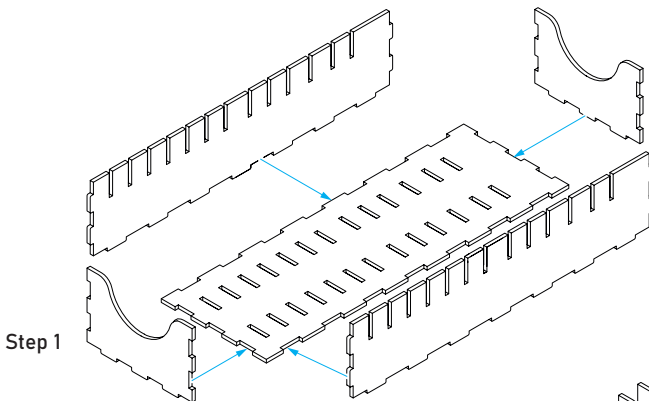
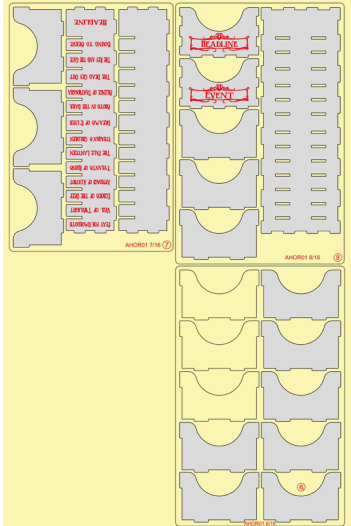
Compatible with Arkham Horror® 3rd Edition board game with Under Dark Waves, Dead of Night, Secret of the Order expansions
Assembly Guide

Event & Headline Cardholder



Intended for Event and Headline cards.

Sheets 6, 7, 8



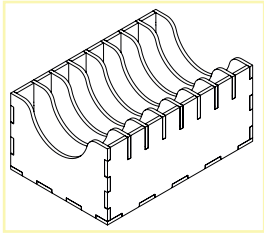


ONE SMART BOX

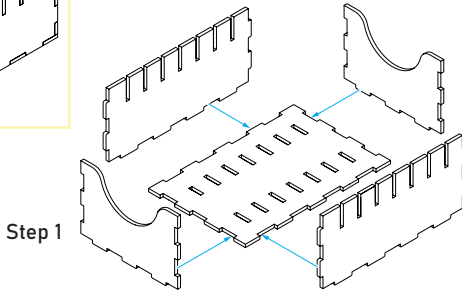
Arkham Horror® 3rd Edition Board Game Organizer AHOR01

Compatible with Arkham Horror® 3rd Edition board game with Under Dark Waves, Dead of Night, Secret of the Order expansions
Assembly Guide

Archive Cardholder

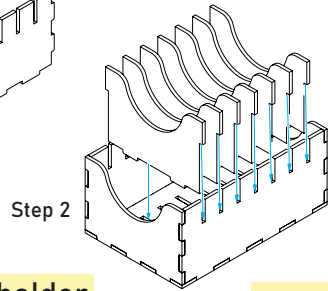
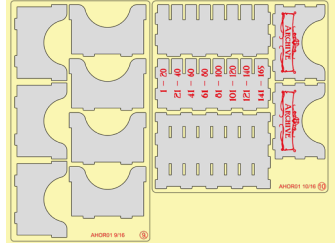


Intended for Archive cards.



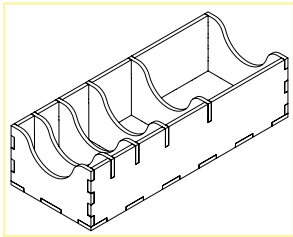
Step 1

Sheets 9, 10

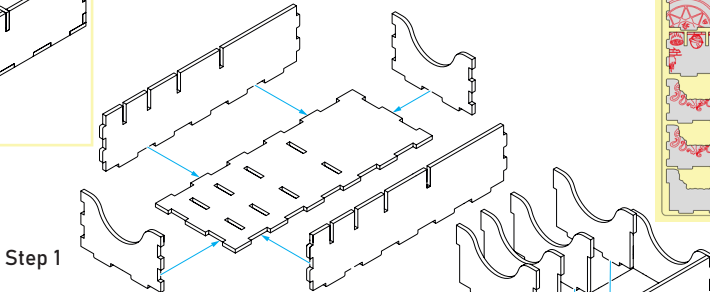


Step 2

Investigator Cardholder

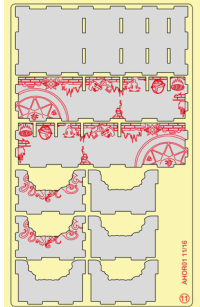


Intended for Item, Spell, Ally, Special and Condition cards.



Step 1

Sheet 11



Step 2

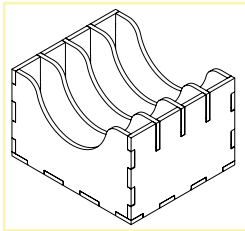


ONE SMART BOX

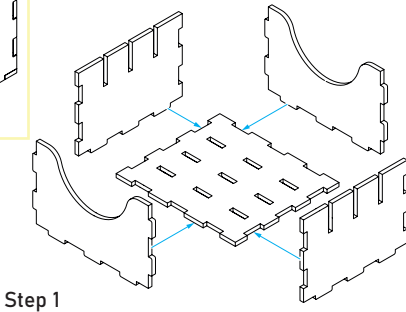
Arkham Horror® 3rd Edition Board Game Organizer AHOR01

Compatible with Arkham Horror® 3rd Edition board game with Under Dark Waves, Dead of Night, Secret of the Order expansions
Assembly Guide

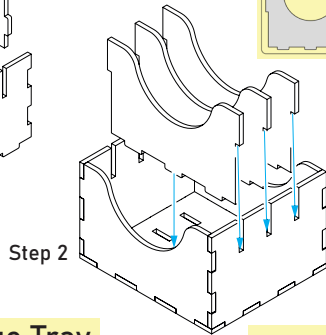
Anomaly Cardholder



Intended for Anomaly cards.

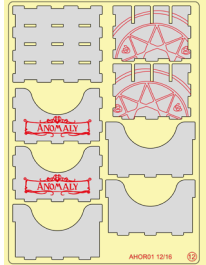


Step 1

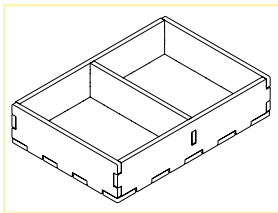


Step 2

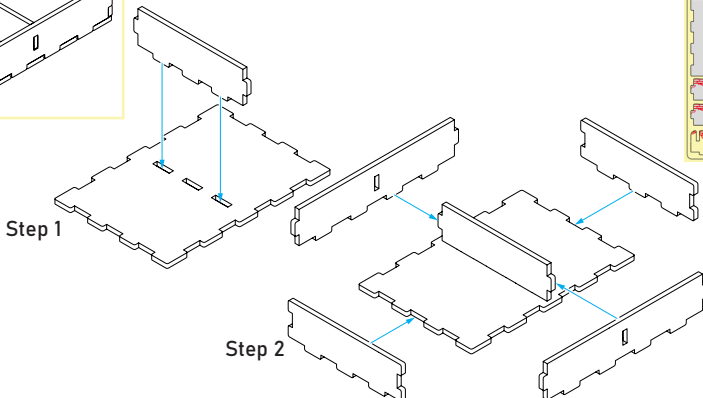
Sheet 12



Horror & Damage Tray



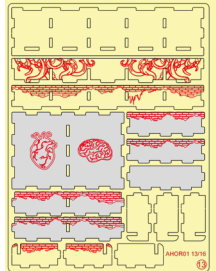
Intended for Horror and Damage tokens.



Step 1

Step 2

Sheet 13



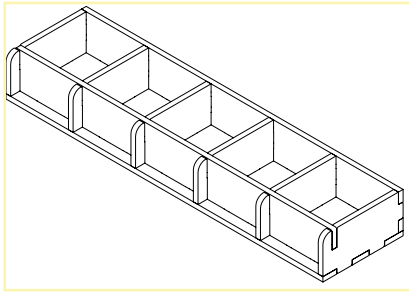


ONE SMART BOX

Arkham Horror® 3rd Edition Board Game Organizer AHOR01

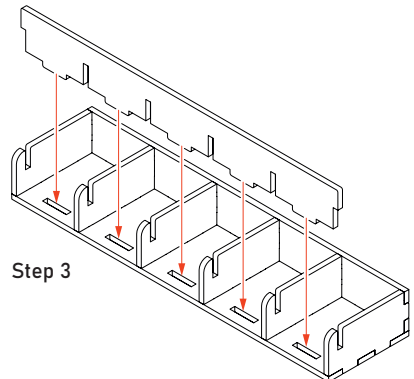
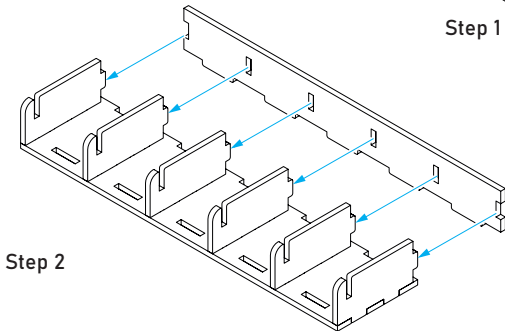
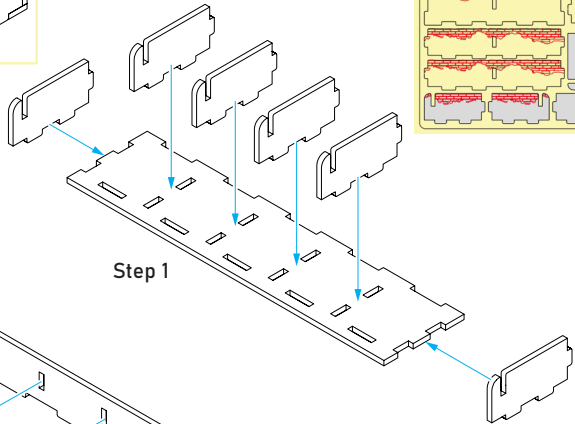
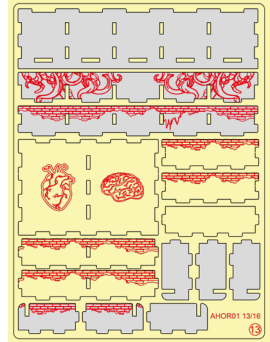
Compatible with Arkham Horror® 3rd Edition board game with Under
Dark Waves, Dead of Night, Secret of the Order expansions
Assembly Guide

Marker Token Tray



Intended for Marker and
Activation tokens.

Sheet 13



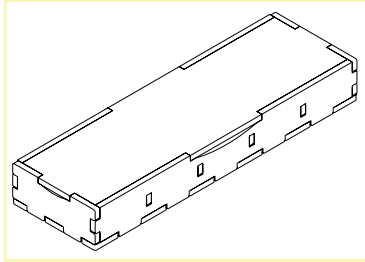


ONE SMART BOX

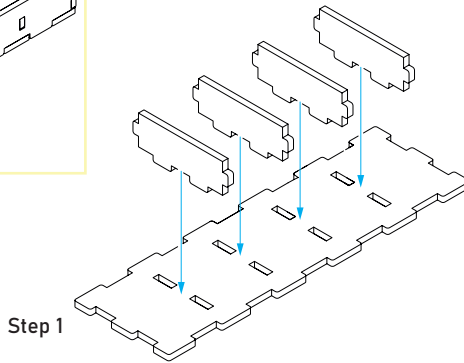
Arkham Horror® 3rd Edition Board Game Organizer AHOR01

Compatible with Arkham Horror® 3rd Edition board game with Under
Dark Waves, Dead of Night, Secret of the Order expansions
Assembly Guide

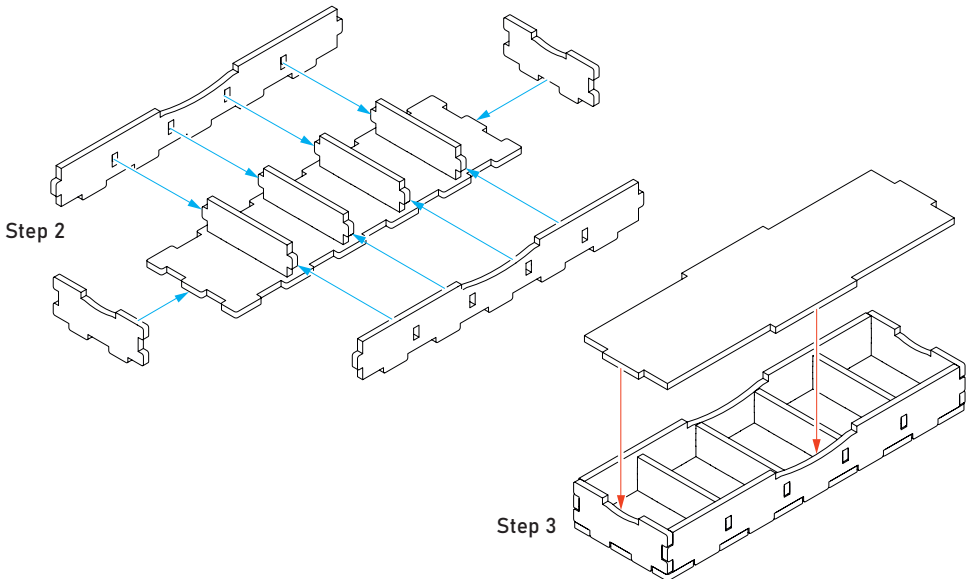
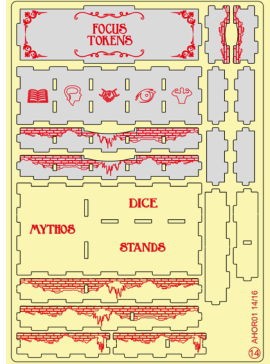
Focus Token Tray



Intended for Focus tokens.



Sheet 14





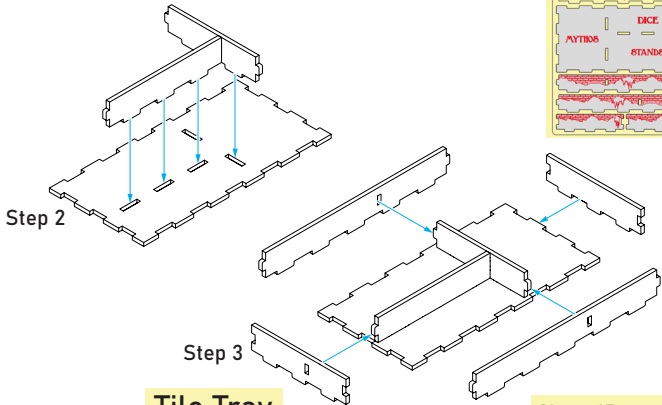
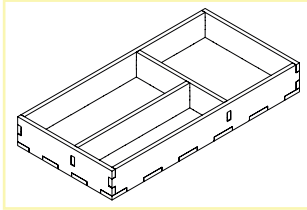
ONE SMART BOX

Arkham Horror® 3rd Edition Board Game Organizer AHOR01

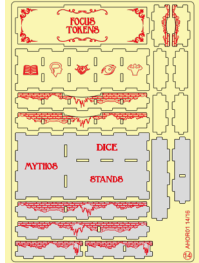
Compatible with Arkham Horror® 3rd Edition board game with Under Dark Waves, Dead of Night, Secret of the Order expansions
Assembly Guide

Mythos, Dice, Stands Tray

Intended for Mythos tokens, dice and stands.

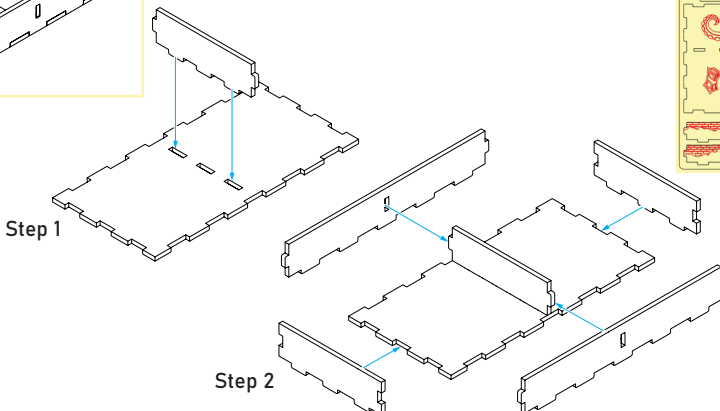
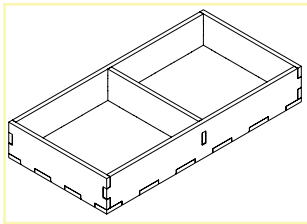


Sheet 14

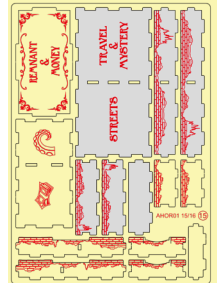


Tile Tray

Intended for Streets, Travel and Mystery tiles.



Sheet 15





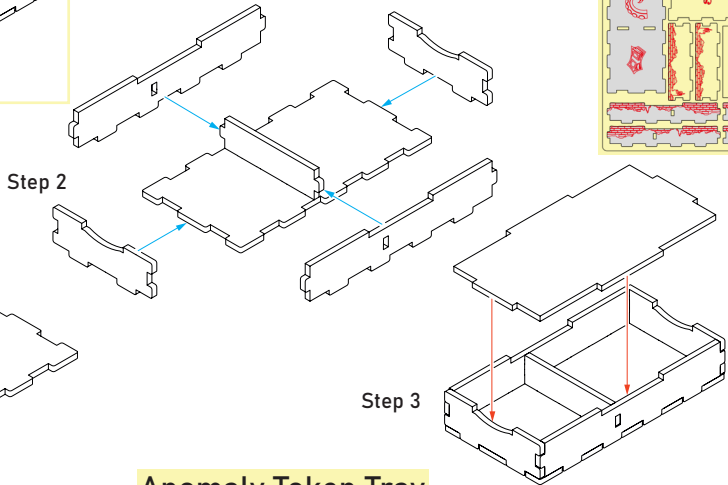
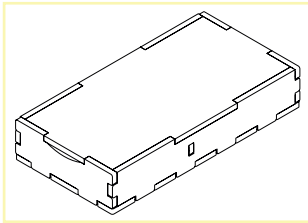
ONE SMART BOX

Arkham Horror® 3rd Edition Board Game Organizer AHOR01

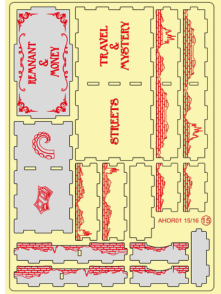
Compatible with Arkham Horror® 3rd Edition board game with Under Dark Waves, Dead of Night, Secret of the Order expansions
Assembly Guide

Remnant & Money Token Tray

Intended for Remnant and Money tokens.

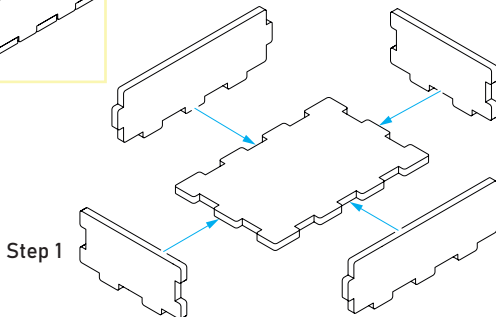
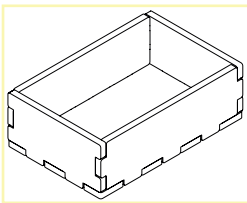


Sheet 15

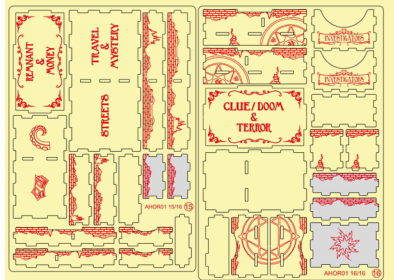


Anomaly Token Tray

Intended for Anomaly tokens.



Sheets 15, 16



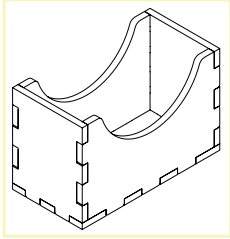


ONE SMART BOX

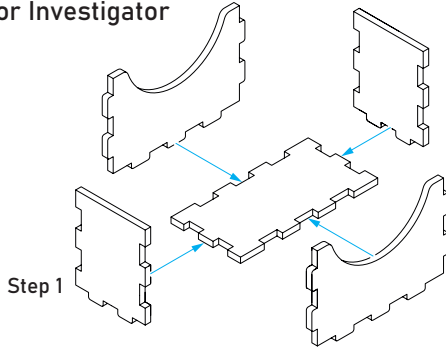
Arkham Horror® 3rd Edition Board Game Organizer AHOR01

Compatible with Arkham Horror® 3rd Edition board game with Under
Dark Waves, Dead of Night, Secret of the Order expansions
Assembly Guide

Investigator Sheets Holder

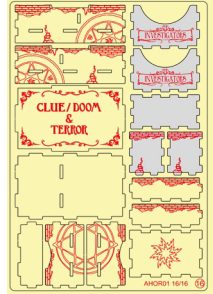


Intended for Investigator sheets.

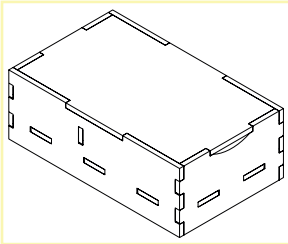


Step 1

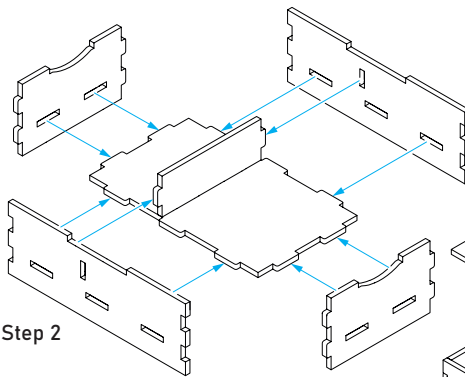
Sheet 16



Clue/Doom & Terror Tokens Tray

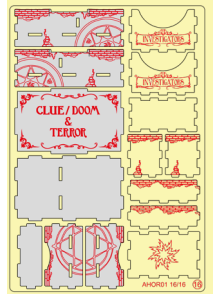


Intended for Clue, Doom and Terror Tokens.

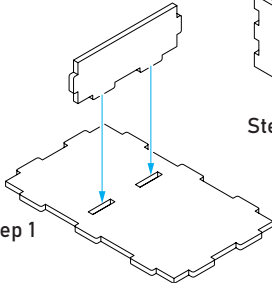


Step 2

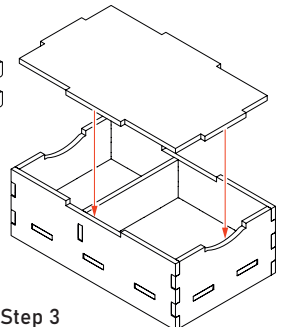
Sheet 16



Step 1



Step 3





ONE SMART BOX

Some other SMONEX products:



Betrayal at House on the Hill®
Organizer BLOR01








Unfathomable®
Organizer UEOR01

Welcome to [smonex.com](https://www.smonex.com)

If something is damaged or broken, please do not return the whole set. Contact us directly on email info@smonex.com or our website [smonex.com](https://www.smonex.com). Any questions or issues with the Smonex products, we'll do our best to help you. Your satisfaction of it is our top priority.

Thanks for choosing Smonex product. We would be grateful for your feedback, which inspires us and helps to develop further. We'll gladly help you on any matter if you contact us on info@smonex.com.

Share your photos with **#smonex** and follow us for all the updates:

-  www.facebook.com/Smonexcom
-  www.instagram.com/smonex_com
-  twitter.com/Smonex_com
-  www.pinterest.com/smonex/_shop
-  www.youtube.com/c/SmonexSmartOneBox



Scan QR-code
follow Smonex