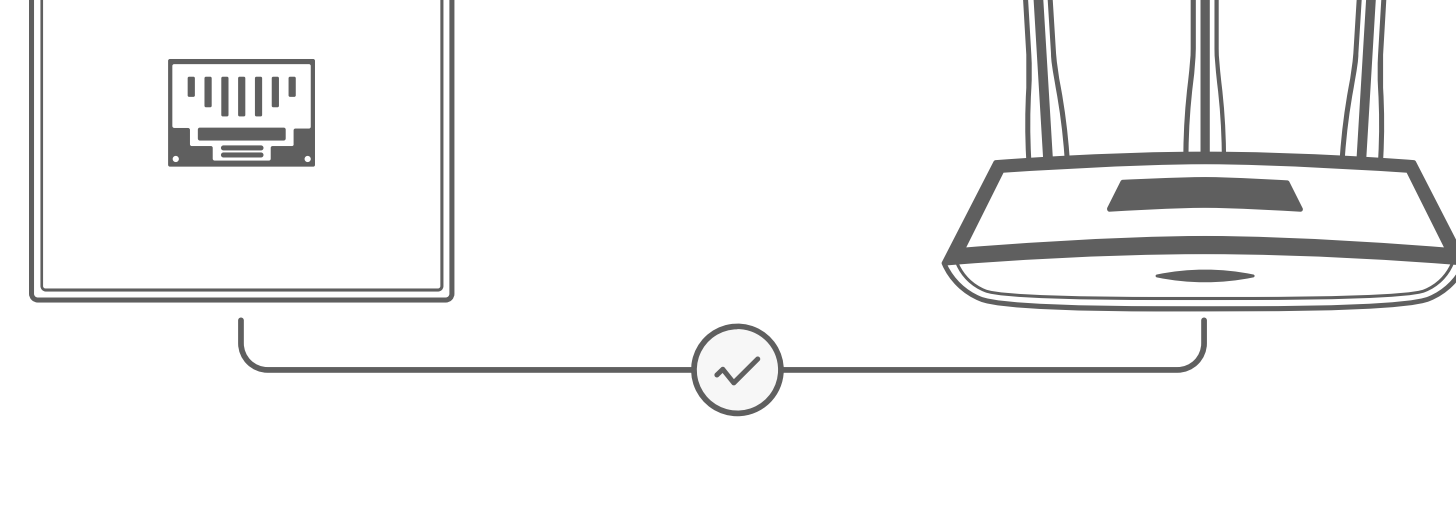




# Deeper Connect Mini

## Set Up Manual

- 1 Pre-start Check: please ensure your network is working properly before setting up.**



- 2 Do not power on the device . Connect the Ethernet cables to your Deeper Connect Mini by selecting and following a setup method (A, B or C) according to your network environment:**

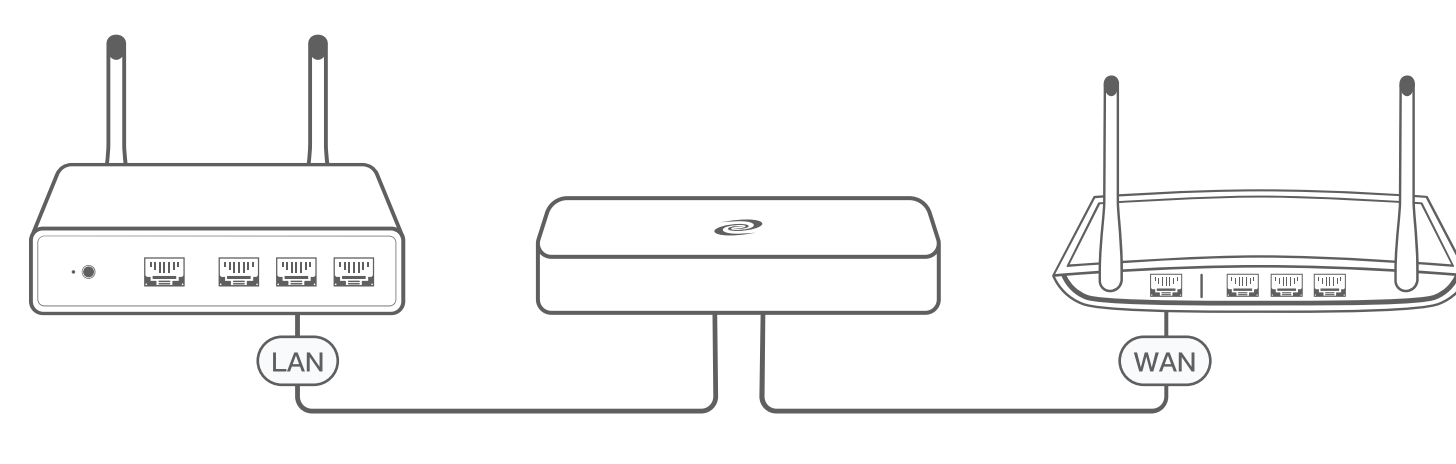
A: Standalone modem and router setup:

Connect your Deeper Connect Mini in between your standalone modem and your standalone router with Ethernet cables.



B: Integrated Modem/Router All-in-one:

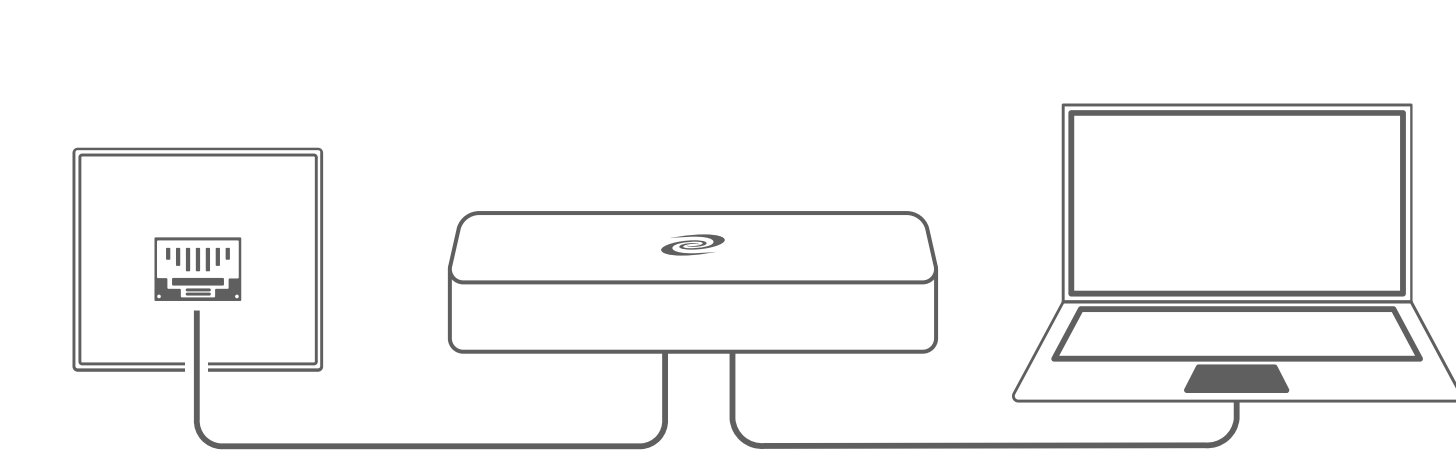
An additional standalone Wi-Fi router is required. Connect your Deeper Connect Mini in between your integrated modem/router all-in-one (LAN port) and the additional Wi-Fi router (WAN port) with Ethernet cables.



C: When Traveling (Ethernet wall outlet):

Find an Ethernet port where you can connect the Deeper Connect Mini via an Ethernet cable.

Plug another Ethernet cable into the remaining Ethernet port on the Deeper Connect Mini and connect it to your computer. (This method is only applicable to laptops with Ethernet ports, or using an USB Ethernet adapter.)



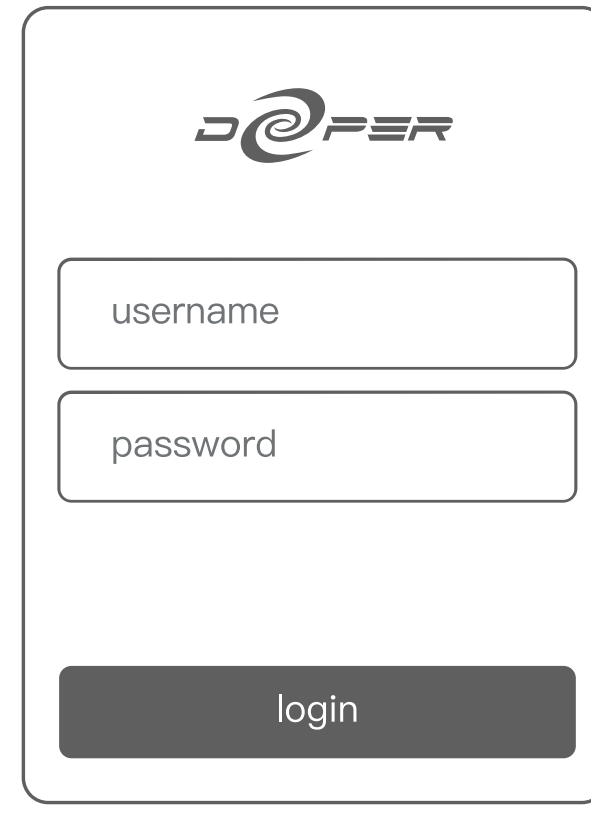
- 3. After hooking up the Ethernet cables, plug in the power cable to the Deeper Connect Mini. The device will**

**power-on automatically. (Please make sure the cable is securely plugged into the port).**

- 4 When Deeper Connect is ON, the Power indicator green light will be on solid for 4 seconds followed by quick red flashes of light.**

**After about 2 minutes, the red flashes of light will turn green. You can now access the internet.**

Try using Google as a test. Once online, input 11.22.33.44 or 34.34.34.34 into your browser on your computer to access AtomOS. You'll first need to login to the Deeper Connect url administration page.



- 5 Deeper Connect default login:**

Default username: admin  
Default password: admin

## Frequently Asked Questions

Deeper Connect

- 1 What does each of the prompt lights indicate?**

When the device is powered on, the green light near the power port should be solid for 4 seconds, followed by a quick red flashing light for 90 seconds. The red flashing light will continue flashing for the next 10-20 seconds. Once the Deeper Connect is ready to operate, a slow green flashing light turns on.



The two lights of the Ethernet ports should be one solid green light and one flashing yellow light. (It could also be the opposite depending on its current operation: one solid yellow light and one flashing green light).

- 2 What if one of the lights is not lighting up?**

Make sure the Ethernet cable is fully plugged into the port. If this doesn't work, try using a new Ethernet cable.

- 3 What if the device suddenly loses access to the internet under regular operation?**

1. Please check if the power port and Ethernet port lights are normal. (see above for reference) If they are, please try to reset the device.

2. If the problem still occurs after restarting the device, please contact tech.support.deeper.network for tech support.

- 4 What if I forget my login password?**

Please take a SIM card ejection tool and insert it into the small hole by the USB port on the Deeper Connect device for 5-6 seconds. When the power port light flashes 3 times, password reset has been completed.

follow the instructions in this article:

<https://shop.deeper.network/blogs/tutorials/self-reset-your-deeper-connect-devices>

- 5 How can I learn more about Deeper Connect's functionalities?**

For more user manuals, please visit:

<https://deeper-network-inc.gitbook.io/deeper-connect-knowledge-base/>

- 6 For tech-related questions, please contact:**

information@deeper.network

## Official Social Media

Website: <https://deeper.network/>

Forum: <https://deepernetwork.cc/>

Telegram group: <https://t.me/DeeperNetwork>

Telegram Chinese: [https://t.me/deeper\\_network\\_cn](https://t.me/deeper_network_cn)

Discord: <https://discord.com/invite/EWUyAJYH2B>

Facebook: <https://www.facebook.com/deeper.network>

Twitter: [https://twitter.com/deeper\\_network](https://twitter.com/deeper_network)

Reddit: <https://www.reddit.com/r/DeeperNetwork/>

Medium: <https://deeper-network.medium.com/>

YouTube: <https://www.youtube.com/c/DeeperNetwork>

Bitcointalk:

<https://bitcointalk.org/index.php?topic=5288352.0>

GitHub:

<https://github.com/e2chain-dev/deeper-chain>

CoinMarketCap:

<https://coinmarketcap.com/currencies/deeper-net-work/>

CoinGecko:

<https://www.coingecko.com/en/coins/deeper-network/>