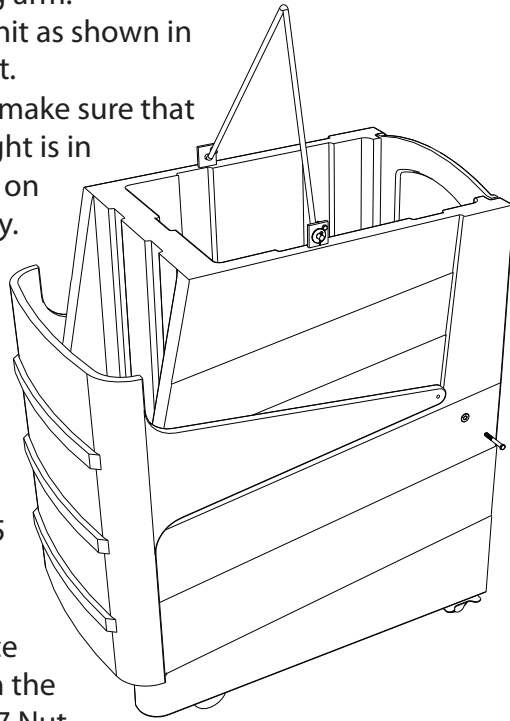


Optional Roof Installation Instructions

1. Replace the PL01-0007G short lifting arm with the longer PL01-0008G long lifting arm.
2. Place the roof on the unit as shown in the diagram at the right.
3. Starting with one side, make sure that the tip of the roof upright is in the corner of the ledge on side of the PolyLift body.
Using a drill with a 7/16 drill bit, drill a hole through the molded in hole in the roof and all the way the side of the unit.
4. Place a PC-000126 Washer on a PC-000125 Bolt and push this through the roof and through the body. Place a PC-000126 Washer on the inside with a PC-000127 Nut and tighten.



To put the roof up, make sure the lifting arm is in the down position. Swing the roof into position, and lock in place using the lifting arm. Be sure that the top of the arm is tight against the stop on the underside of the roof.

MISSION STATEMENT

"PolyJohn is a family owned, state of the art, plastics manufacturing company dedicated to providing its employees with a work environment committed to excellence, and its customers with innovative products, services and technology that meet or exceed their requirements."

THANK YOU FOR PURCHASING POLYJOHN PRODUCTS!

Look for us on the Web @ www.PolyJohn.com



POLYLIFT™ Highrise Portable Restroom Technical Information

General Overview

The PL01-1000 PolyLift Highrise Portable Restroom is designed for Highrise Construction Sites. Easily mobile on caster wheels, simply hooks up to a crane for highrise portability. An added feature of a urinal is conveniently located on the outside rear of the restroom. An optional roof is also available. Shipped fully assembled.



Specifications

Height w/Roof	91 in	231 cm
Height w/o Roof	69 in	175 cm
Length w/Roof in Down Position	61 in	155 cm
Length w/o Roof	53 in	135 cm
Width w/Roof in Down Position	35 in	89 cm
Width w/o Roof	33 in	84 cm
Weight w/Roof	287 lb	129 kg
Weight w/o Roof	251 lb	113 kg
Holding Tank Capacity	38 gal	144 ltr

POLYJOHN USA

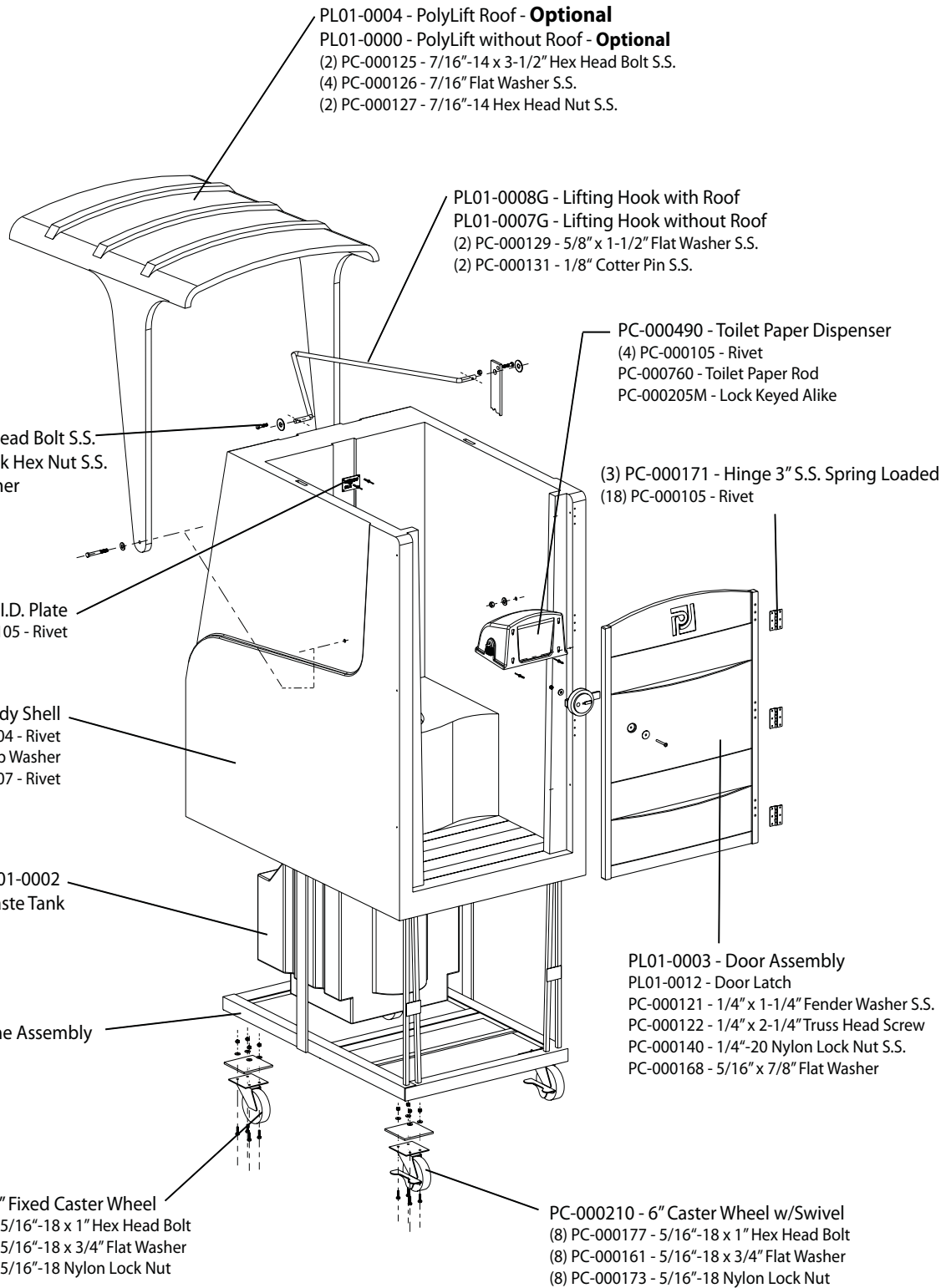
PolyJohn Enterprises Corp
2500 Gaspar Ave.
Whiting, IN 46394
Phone: 800-292-1305
Fax: 219-659-0625
www.polyjohn.com
info@polyjohn.com

POLYJOHN WORLDWIDE

PolyJohn (UK) Ltd.
Equinox 1 Audby Lane
Wetherby, England LS22 7RD
Phone: 44 (0) 1937-583333
Fax: 44 (0) 1937-583322
www.polyjohn.co.uk
sales@polyjohn.co.uk

POLYJOHN CANADA

PolyJohn Canada
P.O. Box 2300
199 Forest Plain Rd.
Orillia, Ontario LV3 6S2
Phone: 800-465-9590
Fax: 705-325-8250
www.polyjohncanada.ca
info@polyjohncanada.ca



PL01-0004 - PolyLift Roof - **Optional**
 PL01-0000 - PolyLift without Roof - **Optional**
 (2) PC-000125 - 7/16"-14 x 3-1/2" Hex Head Bolt S.S.
 (4) PC-000126 - 7/16" Flat Washer S.S.
 (2) PC-000127 - 7/16"-14 Hex Head Nut S.S.

PL01-0008G - Lifting Hook with Roof
 PL01-0007G - Lifting Hook without Roof
 (2) PC-000129 - 5/8" x 1-1/2" Flat Washer S.S.
 (2) PC-000131 - 1/8" Cotter Pin S.S.

PC-000490 - Toilet Paper Dispenser
 (4) PC-000105 - Rivet
 PC-000760 - Toilet Paper Rod
 PC-000205M - Lock Keyed Alike

(2) PC-000189 - 3/8" x 2" Hex Head Bolt S.S.
 (2) PC-000146 - 3/8" Nylon Lock Hex Nut S.S.
 (2) PC-000144 - 3/8" Lock Washer

(3) PC-000171 - Hinge 3" S.S. Spring Loaded
 (18) PC-000105 - Rivet

PL01-0010 - Serial Number I.D. Plate
 (2) PC-000105 - Rivet

PL01-0001 - Main Body Shell
 (4) PC-000104 - Rivet
 (6) PC-000106 - 3/16" Backup Washer
 (2) PC-000107 - Rivet

PL01-0002 - Waste Tank

PL01-0003 - Door Assembly
 PL01-0012 - Door Latch
 PC-000121 - 1/4" x 1-1/4" Fender Washer S.S.
 PC-000122 - 1/4" x 2-1/4" Truss Head Screw
 PC-000140 - 1/4"-20 Nylon Lock Nut S.S.
 PC-000168 - 5/16" x 7/8" Flat Washer

PL01-0005 - Base Frame Assembly

PC-000211 - 6" Fixed Caster Wheel
 (8) PC-000177 - 5/16"-18 x 1" Hex Head Bolt
 (8) PC-000161 - 5/16"-18 x 3/4" Flat Washer
 (8) PC-000173 - 5/16"-18 Nylon Lock Nut

PC-000210 - 6" Caster Wheel w/Swivel
 (8) PC-000177 - 5/16"-18 x 1" Hex Head Bolt
 (8) PC-000161 - 5/16"-18 x 3/4" Flat Washer
 (8) PC-000173 - 5/16"-18 Nylon Lock Nut

****NOT SHOWN**
 PC-000204 - Toilet Seat
 PC-100784 - Weight Load Limit Plate
 (1) PC-000108 - Rivet
 (1) PC-000106 - 3/16" Backup Washer