

New Portable Sinks

For the large community outdoor function **when hand or utensil washing is a must**. Shipped complete with removable fresh and waste water tanks. **Now available in four convenient configurations.**



Available in two (CVPHS-2) and three (CVPHS-3) compartment sinks. We also offer a one (CVPHS-1) compartment sink with a smaller cabinet for when space is at a premium.



cvphs-1



Overall Dimension (W x D x H) 34.375 x 25.25 x 47.75"	
Actual Weight (LBS) 160	Sink Compartments 1
Water Pump 120 Volt	Water Heater 120 Volt



- Stainless steel construction
- Lockable Access door
- 120 Volt water heater (9.5 litre) 2 Imp. Gallons
- All units are NSF approved
- Fully assembled & crated
- CSA, UL or equal approved
- 120 volt water pump
- Available with 2 (cvphs2) & 3 (cvphs3) compartments
- Available in a compact 1 (cvphs4) cabinet version
- 2 x 20 litre (5 gallon) removable fresh water tanks
- 2 x 30 litre (7.5 gallon) removable waste water tanks
- Backsplash w/soap & towel dispensers
- 12 foot cord with standard wall plug
- City water and drain hookups

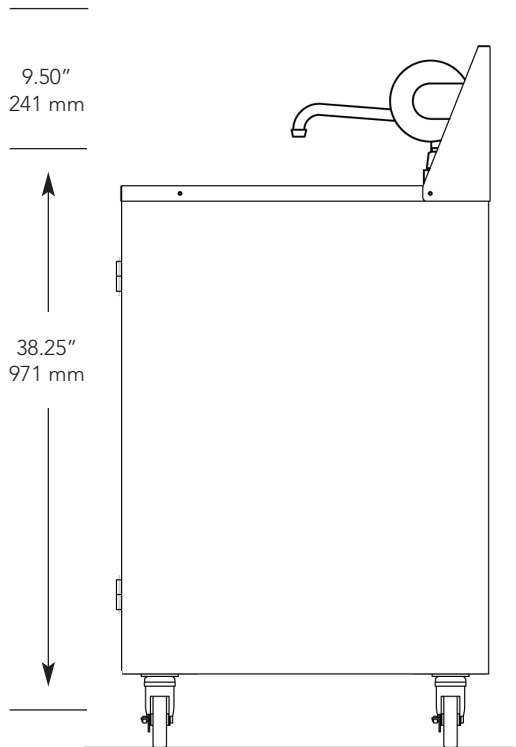
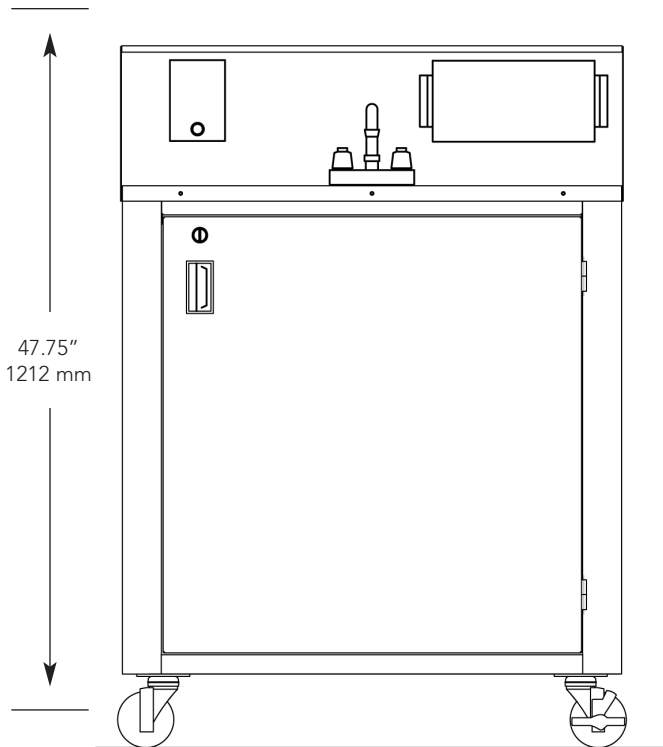
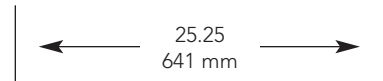
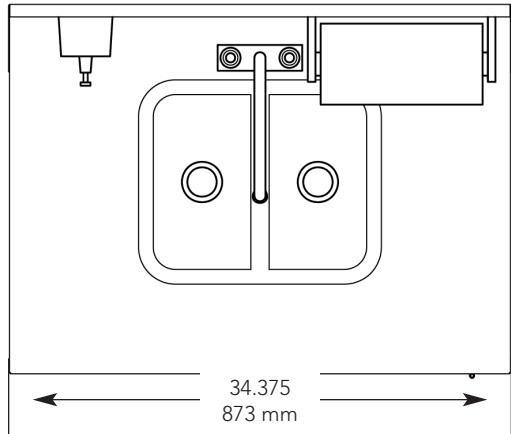
CROWN VERITY INC.



Portable Sinks

Now available in four convenient models

MODEL	CVPHS-1	CVPHS-2	CVPHS-3	CVPHS-4
SINK BOWL SIZE (LxWxD)	14.0 x 12.0 x 6.0"	12.0 x 6.0 x 5.0"	12.0 x 6.0 x 5.0"	14.0 x 12.0 x 6.0"
SINKS	1	2	3	1
CABINET SIZE (WxDxH)	34.375 x 25.25 x 38.25"	34.375 x 25.25 x 38.25"	34.375 x 25.25 x 38.25"	24.0 x 25.25 x 38.25"
IDEAL TO WASH	hands	utensils	utensils	hands



CROWN VERITY INC.

