

# Freestanding KRATKI K5

Stove K5 is a tradition in the new version. Despite its small size, it has excellent thermal parameters.



## Technical Specifications

Rated output (kW)	7,0
Range of heating power (kW)	5.5 - 9.0
Efficiency (%)	76,0
Exhaust outlet diameter (mm)	150
Designed for heat recovery unit	No
Fuel type	zalecane sezonowane drewno liściaste o wilgotności $\leq 20\%$
Weight (kg)	110,0
CO emission (at 13% O <sub>2</sub> ) $\leq$ given in %	0,09
Flue gas temperature (°C)	250,0
Max log length (cm)	25
Emission of dust (mg/Nm <sup>3</sup> )	40,0
Compliance with BlmSchV 2 standard	Yes
The energy efficiency index EEI	100,18
Glazing type	proste
Opening of the doors	w lewo
Material	stal
Width (cm)	45,20
Height (cm)	63,60

Depth (cm)	40,00
External air inlet	No
The liner of the combustion chamber	Yes
Ashpan	Yes
Decorative printed glass	No
ASDP - automatic control of the air supply	No
Turbine TURBOFAN	No
Water panel	No

## Features

---

### **MAXIMUM USE OF ENERGY**

The body and the front of the insert are resistant to high temperatures thanks to the high quality steel used in production.

Combustion of fuel thanks to the Acumotte deflector.

Triple system of combustion chamber's air venting: primary air - secondary air supplied under the grate through holes in a back wall. Additionally clean glass system designed (air curtain).

Efficient burning process & maintaining of temperature to keep the warmth for longer thanks to lining of combustion chamber with Acumotte - heat accumulating material which raises the temperature in the combustion chamber.

Adjusting the external air inlet corresponding to the intensity of burning by using a single regulator, which is below the oven door.

### **SAFETY AT THE HIGHEST LEVEL**

Perfect tightness thanks to the solid welds made in a noble gas shielding.

All steel elements are laser cut and bent on CNC bending machines.

Insert's front equipped with a heat resistant ceramics that withstands temperatures up to 800oC.

### **CONVENIENT TO USE**

Movable grate and ashpan enables to clean the insert.

Reduced soot deposition through a system of pure glass (air curtain).

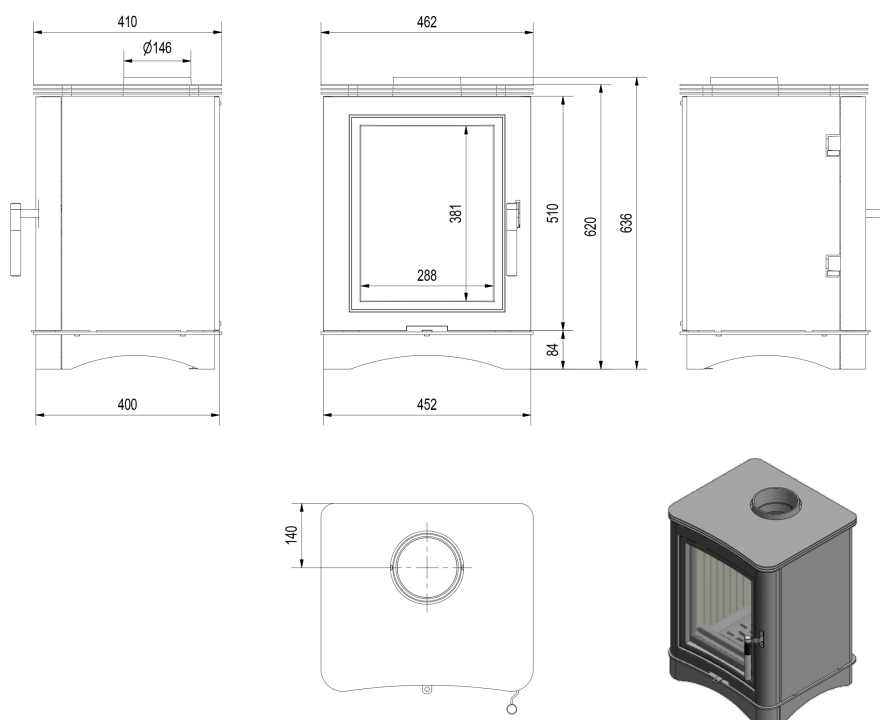
An elegant and comfortable handle.

It can be used in a various mounting conditions thanks to adjustable exhaust outlet: on the back or top of the stove (for back exhaust outlet installation purchase of top plate cover is required).

5 year warranty.

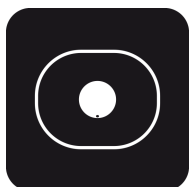
# Technical drawing

---



## Additional options

---



### Top plate cover for STOVE K5

20,00 zł

Top plate cover for stove K5 is required for back exhaust outlet installation.

## Return

---

Klient będący Konsumentem, który zawarł Umowę sprzedaży, może w terminie 14 dni odstąpić od niej bez podawania przyczyny. Bieg terminu na odstąpienie od Umowy sprzedaży rozpoczyna się od chwili objęcia Towaru w posiadanie przez Klienta lub wskazaną przez niego osobę trzecią inną niż przewoźnik. Oświadczenie można złożyć na formularzu, którego wzór został zamieszczony przez Sprzedawcę na Stronie Internetowej Sklepu pod adresem: **formularz odstąpienia**.



Kratki.pl Marek Bal  
ul. W. Gombrowicza 4  
26-660 Wsola/Jedlińsk

www.kratki.com  
+48 48 338 44 88

Date of publication:  
18.01.2018