



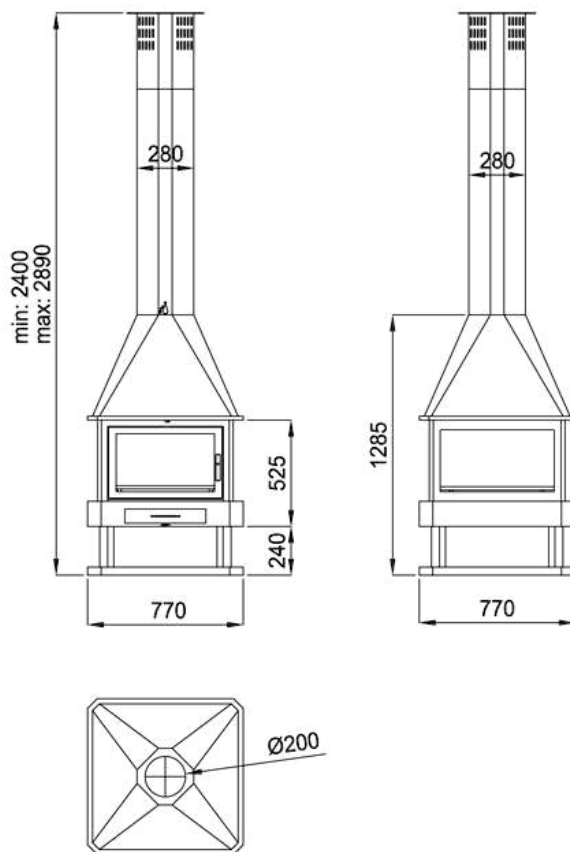
**Available colours**

\* Selected colours are available on request only; Please confirm stock availability.



<b>Output range   Kw</b>	16-18.6
<b>Eco Design 2022 / Nom.   Kw</b>	16
<b>Heating Capacity   m<sup>3</sup></b>	400
<b>Nominal Efficiency   %</b>	76
<b>Type</b>	Freestanding
<b>Fuel Type</b>	Wood
<b>Max load / Nom. Cons.   Kg/h</b>	4.9
<b>Brand</b>	Bronpi
<b>Category</b>	Traditional Wood
<b>Flue ø</b>	200
<b>Flue exit</b>	Top
<b>WxDxH   mm</b>	770 x 770 x 1285
<b>Weight   Kg</b>	159
<b>Hopper capacity   Kg</b>	-
<b>Finish</b>	Steel
<b>Ash tray</b>	Yes
<b>Glass cleaning air flow</b>	Yes
<b>Convection type</b>	Natural
<b>Multifire System</b>	-
<b>Dual power system</b>	-
<b>Ductable</b>	-
<b>Power settings</b>	-
<b>Remote control</b>	-
<b>Energy saving mode</b>	-
<b>Humidifier</b>	-
<b>Warranty</b>	5 Yr. Structural Steel 7 Yr. Structural C-Iron 2 Yr. Elec. & Mech.

\* All warranties are subject to CRMS registration.



\*Unit of measure and model dimensions may vary. E&OE.