



Available colours

* Selected colours are available on request only; Please confirm stock availability.

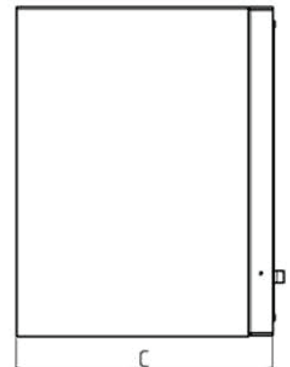
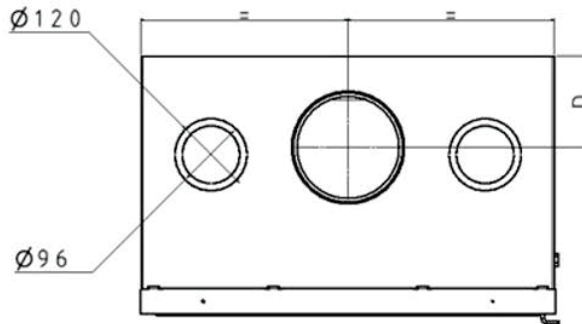
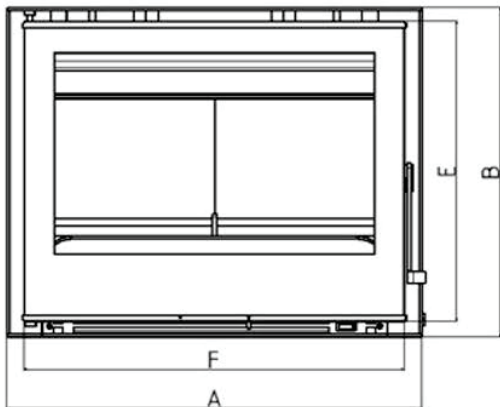


| | |
|---|---|
| Output range Kw | 9.4-15.5 |
| Eco Design 2022 / Nom. Kw | 9.4 |
| Heating Capacity m³ | 470 |
| Nominal Efficiency % | 78 |
| Type | Built-In |
| Fuel Type | Wood |
| Max load / Nom. Cons. Kg/h | 2.5 |
| Brand | C&A Chama |
| Category | Traditional Wood |
| Flue ø | 200 |
| Flue exit | Top |
| WxDxH mm | 980 x 477 x 552 |
| Weight Kg | 161 |
| Hopper capacity Kg | - |
| Finish | Steel |
| Ash tray | Yes |
| Glass cleaning air flow | Yes |
| Convection type | Natural, Opt. Forced |
| Multifire System | - |
| Dual power system | - |
| Ductable | - |
| Power settings | - |
| Remote control | - |
| Energy saving mode | - |
| Humidifier | - |
| Warranty | 5 Yr. Structural Steel 2 Yr. Elec. & Mech. |

* All warranties are subject to CRMS registration.



| | A | B | C | D | E | F | Ø FLUE |
|--------------------|-----|-----|-----|-----|-----|-----|--------|
| FIREBOX CRISTAL 98 | 980 | 552 | 477 | 161 | 487 | 923 | 200 |



*Unit of measure and model dimensions may vary. E&OE.