



With optional leg stand

737 W x 439 D x 1136 H

Available colours

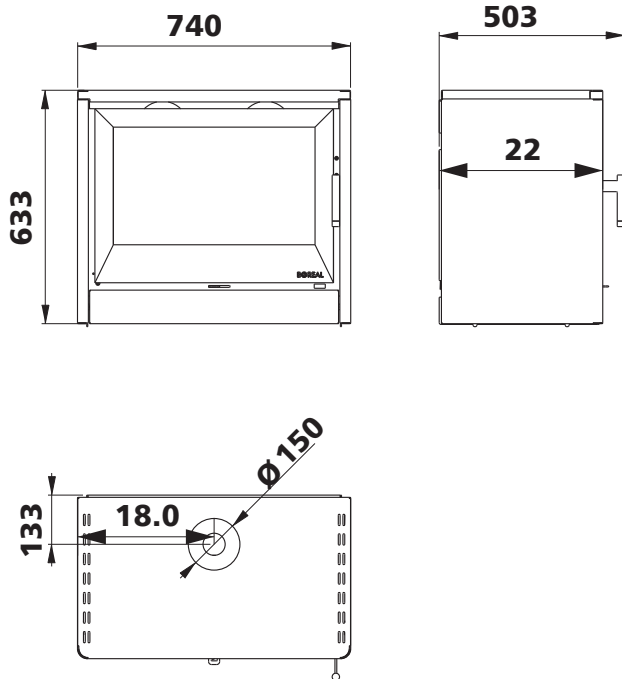
* Selected colours are available on request only; Please confirm stock availability.



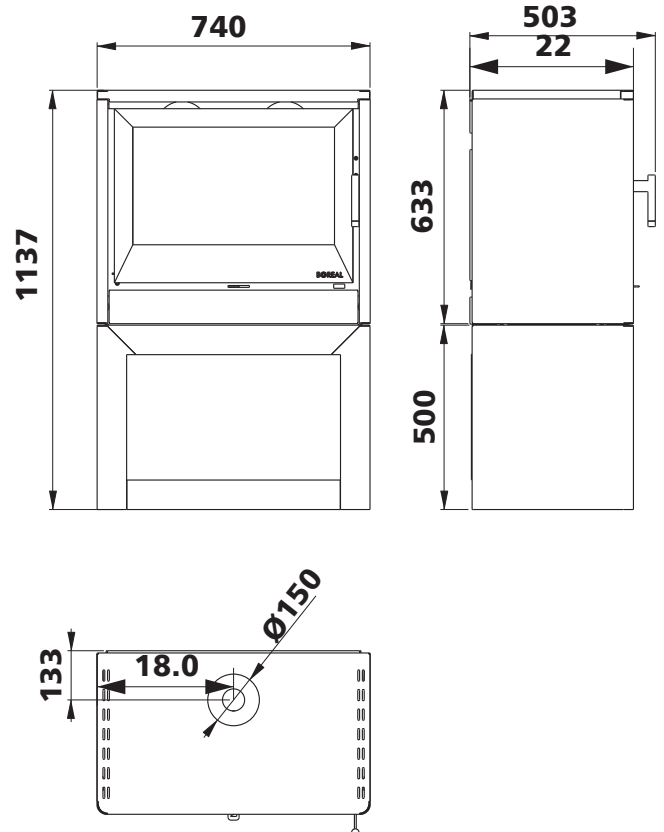
Output range Kw	13-14
Eco Design 2022 / Nom. Kw	13
Heating Capacity m ³	325
Nominal Efficiency %	82
Type	Wall Hung
Fuel Type	Wood
Max load / Nom. Cons. Kg/h	3.6
Brand	Bronpi
Category	Traditional Wood
Flue ø	150
Flue exit	Top
WxDxH mm	737 x 444 x 633
Weight Kg	103
Hopper capacity Kg	-
Finish	Steel
Ash tray	Yes
Glass cleaning air flow	Yes
Convection type	Natural, Fan assisted
Multifire System	-
Dual power system	-
Ductable	-
Power settings	-
Remote control	-
Energy saving mode	-
Humidifier	-
Warranty	5 Yr. Structural Steel 7 Yr. Structural C-Iron 2 Yr. Elec. & Mech.

* All warranties are subject to CRMS registration.

Without base



With base



*Unit of measure and model dimensions may vary. E&OE.