

SKU #	Finish
UC9032	White   Apricot White   Cream Color (Special colors to be ordered)



# Wall Switch

## AC 120V UL listed

### Specification

- Rated Voltage/Frequency: AC 120V 60HZ
- Operating Temperature: -10°C~50°C
- Environment Humidity: 30%~95% RH
- Motor Maximum Load Amps: 1.25A
- Light Maximum Load Wattage: 500W, Tungsten Light Bulb, CFL, LED

### Function:

- Fan mechanical push switch 3-stage speed +off, built-in variable speed capacitor (special specifications to be ordered separately)
- Light control: on/off switch

### Measurement

- Product Weight: N.W. 130g, G.W. 150g
- Packing Box: 120mm x 82mm x 60mm
- Carton Weight: N.W. 6.5kgs, G.W. 8.55kgs
- Carton Size: 50pcs/carton, 430mm x 330mm x 270mm
- Container Loading: 20GP 36,500pcs, 40GP 76,000pcs, 40HQ 90,000pcs

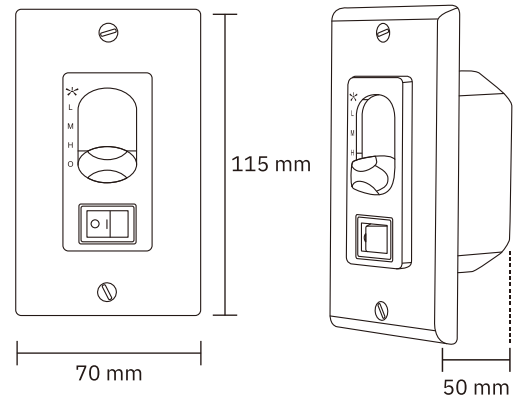
### Certifications

- UL listed
- Warranty: Two-Year Limited Warranty

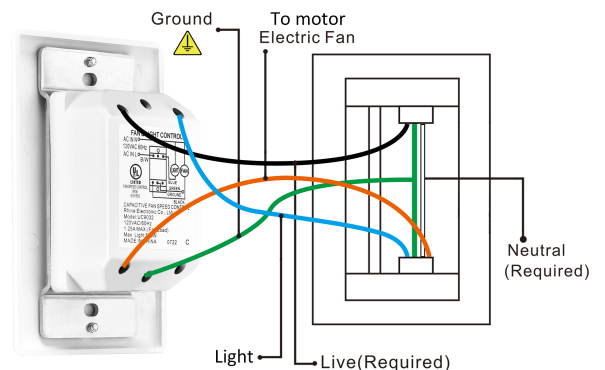
### Dimensions

115mm\*70mm

50mm



### Easy to Install



**Note:** Make sure all the wires are connected with the correct colors as shown above.

Specifications and dimensions subject to change without notice.