

SKU #	Motor / Blade Finish
VWGA-525D2-L11-B2-1	Black Black Plywood Blades



PRESCOTT

5-Blade | 52" Sweep | Pull Chain
 (2 X E26 Sockets)
AC MOTOR 120V



AC Motor

- 3-Speed | Reversible
- Motor | 153 X 15mm
- RPM: High 165 Low 80
- 3720 CFM | 57 W | Efficiency = 76
- 6" Downrod Included

Blade

- 5-Blade | 52" Sweep
- Material: Highly-Compressed Plywood
- 12° Pitch

Light Kit

- 2 X E26 Sockets
- Lamp Bulbs: Not Included
- Lens: Frosted Glass

Certification

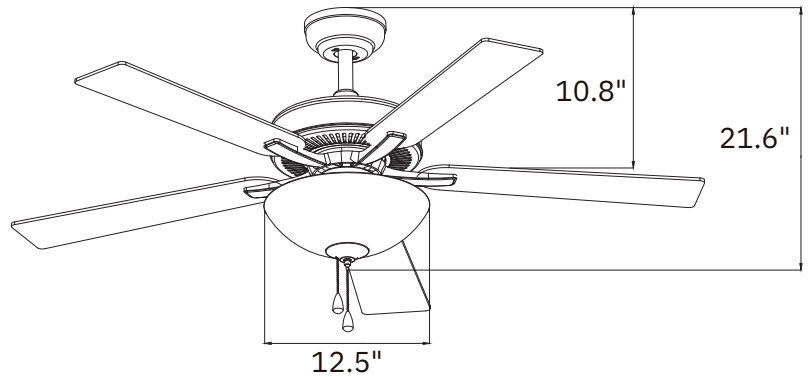
- ETL Listed

Warranty

- Fan Motor: One-Year Limited Warranty
- LED Light Kit: One-Year Limited Warranty
- Non-Electrical: One-Year Limited Warranty

Product Measurements

21.6"	12.5"	10.8"
Height (lowest point)	Width (housing)	Height (top of blade)



- Dimensions:
21.6-inch H (to lowest point) x 12.5-inch (housing) W x 10.8-inch H (top of blade)
- Product Weight (lbs.): 13.8 N.W. | 18.2 G.W.
- Box (in.): 22.5 W X 13.7 D X 9.85 H

Shipping

- Container Loading:
20GP 570 pcs | 40GP 1170 pcs | 40HQ 1370 pcs
45HQ 1520 pcs

Control

- Pull Chain Control (Standard)
- Wall Control (Optional)