

CARRO

SMART FANS | LIGHTING

SKU #	Motor/Blade Finish
VWGA-525A3-L12-B2-1	Black Black Plywood Blades



EMPIRE

5-Blade | 52"

AC MOTOR 120V

INTEGRATED LED LIGHT KIT



Intertek

Fan Motor

Light Kit

Fan Blade

Other

AC Motor

- 3-Speed | Reversible
- Motor | 153 X 15mm
- RPM: High 160 Low 80
- 3900 CFM | 55 W | Efficiency = 83
- 6" Downrod Included

Blade

- 5-Blade | 52" Sweep
- Material: Highly-Compressed Plywood
- 12° Pitch

Light Kit

- LED Light Board
- 22W 1069 Lumens
- Color Temperature: 3000K Warm Light
- Lens: Glass

Control

- Pull Chain (Standard)
- Wall Control (Optional)

Certification

- ETL Listed

Warranty

- Fan Motor: One-Year Limited Warranty
- LED Light Kit: One-Year Limited Warranty
- Fan Blade: One-Year Limited Warranty
- Other: One-Year Limited Warranty

Measurements

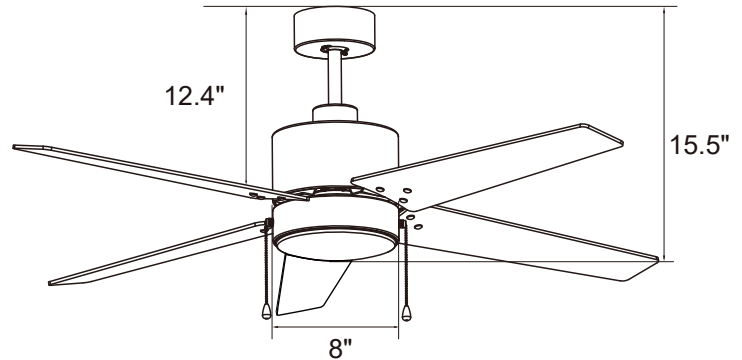
- Dimensions(in.): 15.5 H (to lowest point) x 8 W (housing) x 12.4 H (top of blade)
- Product Weight (lbs.): 15.4 N.W. | 17.5 G.W.
- Box (in.): 23.6 W X 10.2 D X 10.4 H

Shipping

- Container Loading:
20GP 700 pcs | 40GP 1430 pcs | 40HQ 1670 pcs

Dimensions

15.5"	8"	12.4"
Height (lowest point)	Width (housing)	Height (top of blade)



Wall Control Features:

- AC Motor Ceiling Fan Wall-Mounted Control and Receiver.
- For Fans: AC Motor Builder Grade Fans
- Fan Control: 3-speed Fan| Fan On/Off
- Light Control: Toggle Switch On/Off
- UL Listed for Dry Location

