

CARRO

SMART FANS | LIGHTING



AC Motor

- 3-Speed | Reversible
- Motor | 153 X 15mm
- RPM: High 180 Low 70
- 4716 CFM | 60 W | Efficiency = 82
- 6" Downrod Included

Blade

- 4-Blade | 52" Sweep
- Material: Highly-Compressed Plywood
- 11.5° Pitch

Light Kit

- 1 X E26 Light Bulb Base
- Light Bulbs Not Included
- Lens: Glass

Control

- Pull Chain (Standard)
- Wall Control (Optional)

Certification

- ETL Listed

Warranty

- Fan Motor: One-Year Limited Warranty
- LED Light Kit: One-Year Limited Warranty
- Fan Blade: One-Year Limited Warranty
- Other: One-Year Limited Warranty

Measurements

- Dimensions(in.): 15.44 H (to lowest point) x 6.89 W (housing) x 9.4 H (top of blade)
- Product Weight (lbs.): 13 N.W. | 15.2 G.W.
- Box (in.): 24.3 W X 9.4 D X 10.4 H

Shipping

- Container Loading:
20GP 730 pcs | 40GP 1500 pcs | 40HQ 1750 pcs

SKU #	Motor/Blade Finish
VWGA-524H2-L11-B2-1G	Black Black Plywood Blades(Gold Detail)

AMALFI

4-Blade | 52"

AC MOTOR 120V

1 X E26 LIGHT BULB BASE INCLUDED



Intertek

Fan Motor

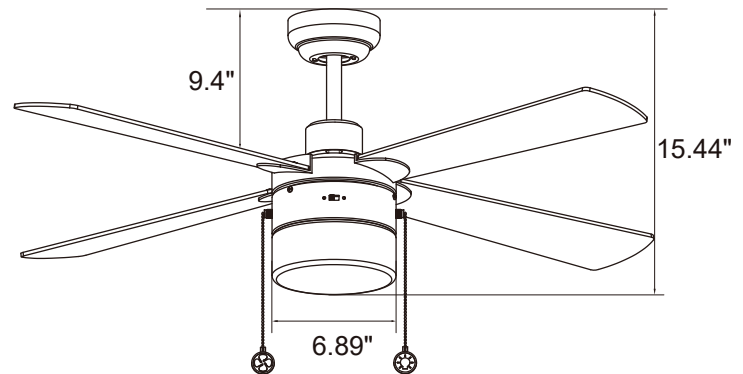
Light Kit

Fan Blade

Other

Dimensions

15.44"	6.89"	9.4"
Height (lowest point)	Width (housing)	Height (top of blade)



Wall Control Features:

- AC Motor Ceiling Fan Wall-Mounted Control and Receiver.
- For Fans: AC Motor Builder Grade Fans
- Fan Control: 3-speed Fan| Fan On/Off
- Light Control: Toggle Switch On/Off
- UL Listed for Dry Location

