

# CARRO

SMART FANS | LIGHTING



### AC Motor

- 3-Speed | Reversible
- Motor | 153 X 15mm
- RPM: High 175 Low 85
- 3980 CFM | 55 W | Efficiency = 74.7
- 4" Downrod Included

### Blade

- 3-Blade | 52" Sweep
- Material: Highly-Compressed Plywood
- 12° Pitch

### Light Kit

- 2 X E26 Light Bulb Base
- 2 Light Bulbs (Bulb: 8.5W/pcs, Warm Light, 800 Lumens/pcs)
- Lens: Glass

### Control

- Pull Chain (Standard)
- Wall Control (Optional)

### Certification

- ETL Listed

### Warranty

- Fan Motor: One-Year Limited Warranty
- LED Light Kit: One-Year Limited Warranty
- Fan Blade: One-Year Limited Warranty
- Other: One-Year Limited Warranty

### Measurements

- Dimensions(in.): 16 H (to lowest point) x 9.8 W (housing) x 8.6 H (top of blade)
- Product Weight (lbs.): 14.1 N.W. | 15.9 G.W.
- Box (in.): 23.4 W X 11.6 D X 12.6 H

### Shipping

- Container Loading:  
20GP 510 pcs | 40GP 1050 pcs | 40HQ 1230 pcs

SKU #	Motor/Blade Finish
VWGA-523C-L11-W1-1	White   White Plywood Blades

# EVERETT

3-Blade | 52"

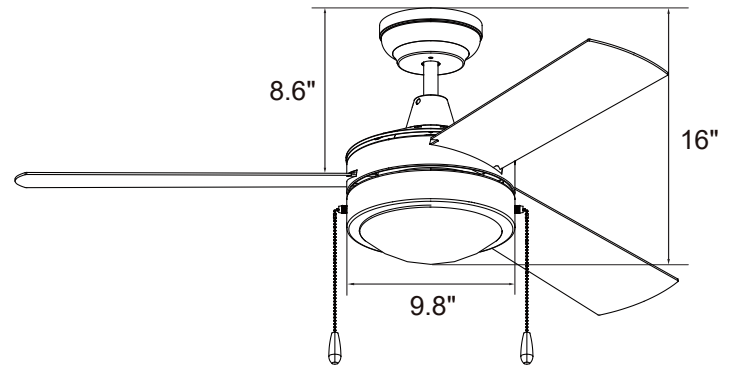
AC MOTOR 120V

2 X E26 LIGHT BULBS INCLUDED



### Dimensions

16"	9.8"	8.6"
Height (lowest point)	Width (housing)	Height (top of blade)



### Wall Control Features:

- AC Motor Ceiling Fan Wall-Mounted Control and Receiver.
- For Fans: AC Motor Builder Grade Fans
- Fan Control: 3-speed Fan| Fan On/Off
- Light Control: Toggle Switch On/Off
- UL Listed for Dry Location

