

# CARRO

SMART FANS | LIGHTING



## DC Motor

- 10-Speed | Reversible
- Motor | 164 X 15mm
- RPM: High 205 Low 50
- 6900 CFM | 30 W | Efficiency = 221
- 4.5" Downrod Included

## Blade

- 3-Blade | 56" Sweep
- Material: Glass Fiber Reinforced Polypropylene
- 14° Pitch

## Light Kit

- LED Light Board
- 36W 3000 Lumens
- Dimmable From 10%-100% | 10 Levels Dimming
- Color Temperature :  
2700K Warm Light | 3500K Neutral Light | 4000K Cool Light
- Lens: Plastic

## Control

- Remote Control (Standard)

## Certification

- ETL Listed

## Warranty

- Fan Motor: Three-Year Limited Warranty
- LED Light Kit: Five-Year Limited Warranty
- Fan Blade: One-Year Limited Warranty
- Other: Three-Year Limited Warranty

## Measurements

- Dimensions(in.): 11.9 H (to lowest point) x 10.4 W(housing)  
x 8.7 H (top of blade)
- Product Weight (lbs.): 14.1 N.W. | 20.3 G.W.
- Box (in.): 27.6 W X 15.4 D X 8.7 H

## Shipping

- Container Loading:  
20GP 480 pcs | 40GP 980 pcs | 40HQ 1150 pcs

SKU #	Motor/Blade Finish
VS563F-L13-B2-1	Black   Black

# FLETCHER

3-Blade | 56"

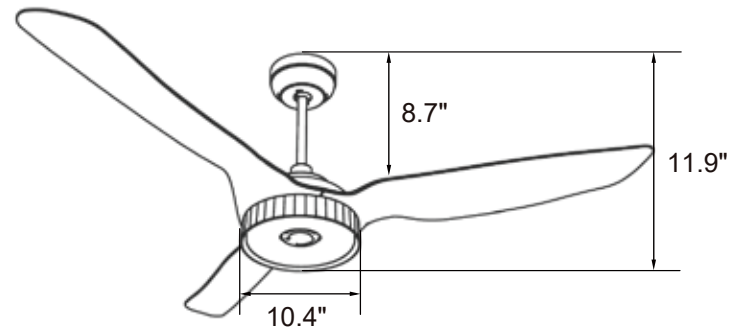
DC MOTOR 120V

INTEGRATED LED LIGHT KIT



## Dimensions

11.9"	10.4"	8.7"
Height (lowest point)	Width (housing)	Height (top of blade)



## Fan Control Options

Simple and intuitive design with standard layout.

Multifunctional: fan speed control, fan forward/reverse direction, fan on/off, light brightness adjustment, warm/cool light switch, light on/off. RF pairing, and Wi-Fi pairing.

Remote



- Remote (Standard)

Remote



- Remote (Optional)