

CARRO

SMART FANS | LIGHTING



DC Motor

- 10-Speed | Reversible
- Motor | 164 X 15mm
- RPM: High 205 Low 50
- 4400 CFM | 26 W | Efficiency = 138
- 6" Downrod Included

Blade

- 3-Blade | 56" Sweep
- Material: Highly-Compressed Plywood
- 12.5° Pitch

Light Kit

- LED Light Board
- 22W 2150 Lumens
- Dimmable From 10%-100% | 10 Levels Dimming
- Color Temperature :
- 2700K Warm Light | 3500K Neutral Light | 4000K Cool Light
- Lens: Plastic

Control

- Remote Control (Standard)

Certification

- ETL Listed

Warranty

- Fan Motor: Three-Year Limited Warranty
- LED Light Kit: Five-Year Limited Warranty
- Fan Blade: One-Year Limited Warranty
- Other: Three-Year Limited Warranty

Measurements

- Dimensions(in.): 13.4 H (to lowest point) x 7.8 W(housing) x 10 H (top of blade)
- Product Weight (lbs.): 10.8 N.W. | 15.5 G.W.
- Box (in.): 24.6 W X 11.3 D X 10 H

Shipping

- Container Loading:
- 20GP 780 pcs | 40GP 1590 pcs | 40HQ 1865 pcs

SKU #	Motor/Blade Finish
VS563B-L12-W7-1	White Marble Plywood Blades

KAJ

3-Blade | 56"

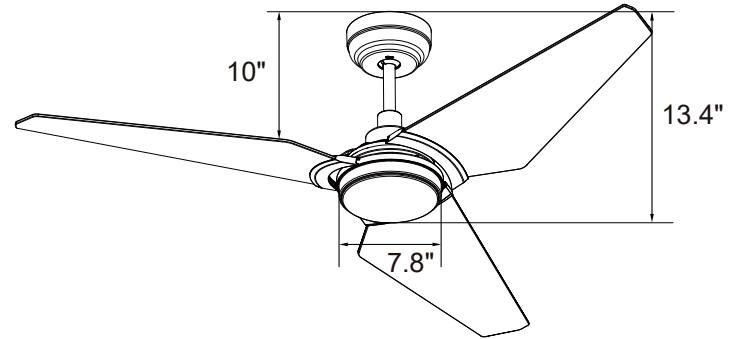
DC MOTOR 120V

INTEGRATED LED LIGHT KIT



Dimensions

13.4"	7.8"	10"
Height (lowest point)	Width (housing)	Height (top of blade)



Fan Control Options

Simple and intuitive design with standard layout.

Multifunctional: fan speed control, fan forward/reverse direction, fan on/off, light brightness adjustment, warm/cool light switch, light on/off. RF pairing, and Wi-Fi pairing.

Remote



- Remote (Standard)

Remote



- Remote (Optional)