

CARRO

SMART FANS | LIGHTING

SKU #

VS525B-L22-W6-1

Motor/Blade Finish

White | Light Chestnut Plywood Blades



KAJ

5-Blade | 52"

DC MOTOR 120V

INTEGRATED LED LIGHT KIT



DC Motor

- 10-Speed | Reversible
- Motor | 164 X 15mm
- RPM: High 165 Low 50
- 4500 CFM | 26 W | Efficiency = 151
- 6" Downrod Included

Blade

- 5-Blade | 52" Sweep
- Material: Highly-Compressed Plywood
- 16° Pitch

Light Kit

- LED Light Board
- 22W 2150 Lumens
- Dimmable From 10%-100% | 10 Levels Dimming
- Color Temperature :
- 2700K Warm Light | 3500K Neutral Light | 4000K Cool Light
- Lens: Glass

Control

- Remote Control (Standard)

Certification

- ETL Listed

Warranty

- Fan Motor: Three-Year Limited Warranty
- LED Light Kit: Five-Year Limited Warranty
- Fan Blade: One-Year Limited Warranty
- Other: Three-Year Limited Warranty

Measurements

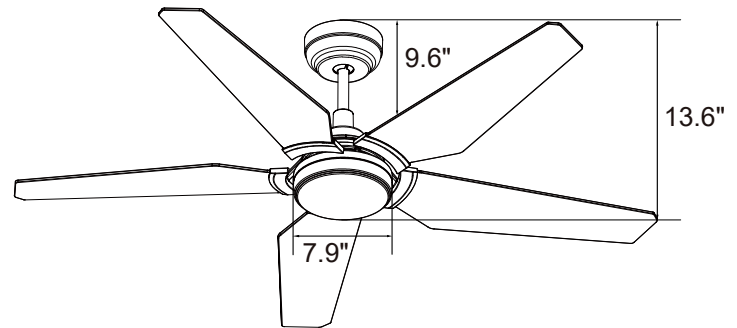
- Dimensions(in.): 13.6 H (to lowest point) x 7.9 W(housing) x 9.6 H (top of blade)
- Product Weight (lbs.): 12.5 N.W. | 17.1 G.W.
- Box (in.): 23.2 W X 11.6 D X 9.4 H

Shipping

- Container Loading:
20GP 790 pcs | 40GP 1625 pcs | 40HQ 1900 pcs

Dimensions

13.6"	7.9"	9.6"
Height (lowest point)	Width (housing)	Height (top of blade)



Fan Control Options

Simple and intuitive design with standard layout.

Multifunctional: fan speed control, fan forward/reverse direction, fan on/off, light brightness adjustment, warm/cool light switch, light on/off.

RF pairing, and Wi-Fi pairing.

Remote



- Remote (Standard)

Remote



- Remote (Optional)