

# CARRO

SMART FANS | LIGHTING

SKU #

VS523K-L12-W1-1

Motor/Blade Finish

White | White ABS Blades



# CRANSTON

3-Blade | 52"

DC MOTOR 120V

INTEGRATED LED LIGHT KIT



## DC Motor

- 10-Speed | Reversible
- Motor | 164 X 11mm
- RPM: High 170 Low 50
- 5350 CFM | 18 W | Efficiency = 220
- 4.5" Downrod Included

## Blade

- 3-Blade | 52" Sweep
- Material: ABS
- 11° Pitch

## Light Kit

- LED Light Board
- 22W 1915 Lumens
- Dimmable From 10%-100% | 10 Levels Dimming
- Color Temperature :
  - 2700K Warm Light | 3500K Neutral Light | 4000K Cool Light
- Lens: Plastic

## Control

- Remote Control (Standard)

## Certification

- ETL Listed

## Warranty

- Fan Motor: Three-Year Limited Warranty
- LED Light Kit: Five-Year Limited Warranty
- Fan Blade: One-Year Limited Warranty
- Other: Three-Year Limited Warranty

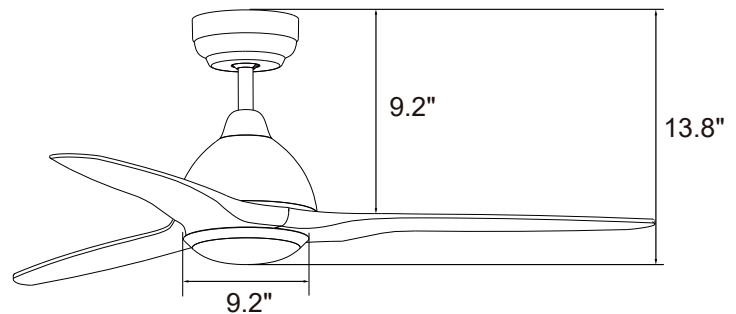
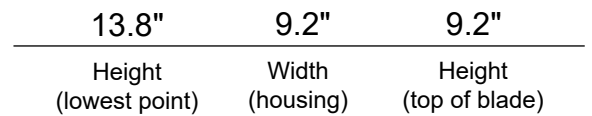
## Measurements

- Dimensions(in.): 13.8 H (to lowest point) x 9.2 W(housing) x 9.2 H (top of blade)
- Product Weight (lbs.): 10.6 N.W. | 16.3 G.W.
- Box (in.): 24.8 W X 15 D X 10 H

## Shipping

- Container Loading:
  - 20GP 475 pcs | 40GP 975 pcs | 40HQ 1145 pcs

## Dimensions



## Fan Control Options

Simple and intuitive design with standard layout.

Multifunctional: fan speed control, fan forward/reverse direction, fan on/off, light brightness adjustment, warm/cool light switch, light on/off. RF pairing, and Wi-Fi pairing.

Remote



- Remote (Standard)

Remote



- Remote (Optional)