

CARRO

SMART FANS | LIGHTING



DC Motor

- 10-Speed | Reversible
- Motor | 164 X 15mm
- RPM: High 220 Low 50
- 6300 CFM | 26 W | Efficiency = 200
- 4.5" Downrod Included

Blade

- 3-Blade | 52" Sweep
- Material: Glass Fiber Reinforced Polypropylene
- 14° Pitch

Light Kit

- LED Light Board
- 22W 1842 Lumens
- Dimmable From 10%-100% | 10 Levels Dimming
- Color Temperature :
 - 2700K Warm Light | 3500K Neutral Light | 4000K Cool Light
- Lens: Plastic

Control

- Remote Control (Standard)

Certification

- ETL Listed

Warranty

- Fan Motor: Three-Year Limited Warranty
- LED Light Kit: Five-Year Limited Warranty
- Fan Blade: One-Year Limited Warranty
- Other: Three-Year Limited Warranty

Measurements

- Dimensions(in.): 11.9 H (to lowest point) x 10.4 W(housing) x 8.7 H (top of blade)
- Product Weight (lbs.): 13.9 N.W. | 20.1 G.W.
- Box (in.): 25.6 W X 15.4 D X 8.5 H

Shipping

- Container Loading:
 - 20GP 522 pcs | 40GP 1075 pcs | 40HQ 1260 pcs

| SKU # | Motor/Blade Finish |
|-----------------|--------------------|
| VS523F-L12-B2-1 | Black Black |

FLETCHER

3-Blade | 52"

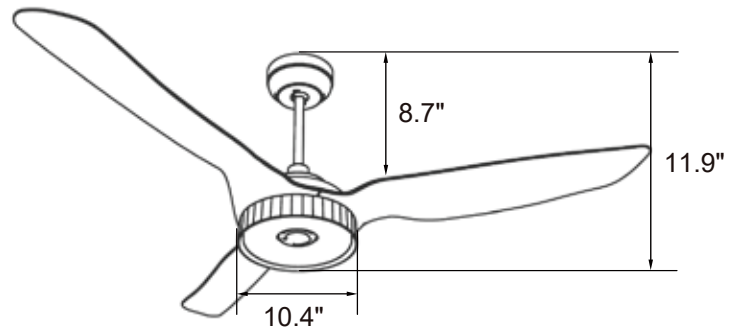
DC MOTOR 120V

INTEGRATED LED LIGHT KIT



Dimensions

| | | |
|--------------------------|--------------------|--------------------------|
| 11.9" | 10.4" | 8.7" |
| Height (lowest point) | Width (housing) | Height (top of blade) |



Fan Control Options

Simple and intuitive design with standard layout.

Multifunctional: fan speed control, fan forward/reverse direction, fan on/off, light brightness adjustment, warm/cool light switch, light on/off. RF pairing, and Wi-Fi pairing.

Remote



- Remote (Standard)

Remote



- Remote (Optional)