

CARRO

SMART FANS | LIGHTING



DC Motor

- 10-Speed | Reversible
- Motor | 148 X 11mm
- RPM: High 215 Low 50
- 4050 CFM | 20 W | Efficiency = 151

Blade

- 3-Blade | 48" Sweep
- Material: Highly-Compressed Plywood
- 12° Pitch

Light Kit

- LED Light Board
- 22W 1915 Lumens
- Dimmable From 10%-100% | 10 Levels Dimming
- Color Temperature :
- 2700K Warm Light | 3500K Neutral Light | 4000K Cool Light
- Lens: Glass

Control

- Remote Control (Standard)

Certification

- ETL Listed

Warranty

- Fan Motor: Three-Year Limited Warranty
- LED Light Kit: Five-Year Limited Warranty
- Fan Blade: One-Year Limited Warranty
- Other: Three-Year Limited Warranty

Measurements

- Dimensions(in.): 12.5 H (to lowest point) x 8 W(housing)
x 7.8 H (top of blade)
- Product Weight (lbs.): 12.4 N.W. | 15.4 G.W.
- Box (in.): 22 W X 10.8 D X 12 H

Shipping

- Container Loading:
20GP 610 pcs | 40GP 1252 pcs | 40HQ 1466 pcs

SKU #

VS483Q6-L12-BG-1-FM

Motor/Blade Finish

Black | Barnwood Reversible
Other Wood Finishes Available

HOBART

3-Blade | 48" | Flushmount

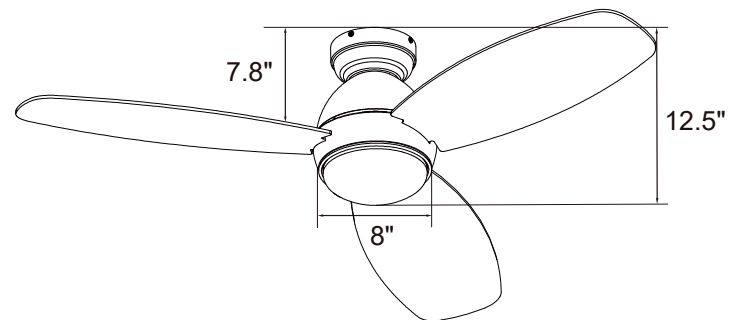
DC MOTOR 120V

INTEGRATED LED LIGHT KIT



Dimensions

12.5"	8"	7.8"
Height (lowest point)	Width (housing)	Height (top of blade)



Fan Control Options

Simple and intuitive design with standard layout.

Multifunctional: fan speed control, fan forward/reverse direction, fan on/off, light brightness adjustment, warm/cool light switch, light on/off.

RF pairing, and Wi-Fi pairing.

Remote



- Remote (Standard)

Remote



- Remote (Optional)