

READ INSTRUCTIONS CAREFULLY FOR SAFE INSTALLATION AND FAN OPERATION. IF UNCERTAIN, CONSULT A QUALIFIED ELECTRICIAN.

THANK YOU FOR YOUR PURCHASE

Thank you for purchasing a Carro Home product. To ensure correct function and safety, please read and follow all the instructions before using the product.

SAFETY GUIDELINES:

- To avoid possible electric shock, turn off the electricity at the main fuse box or circuit panel before you begin the fan installation, servicing the fan or installing any accessories.
- Read all instructions and safety guidelines carefully before installing your fan and follow all the instructions.
- Make sure all electrical connections comply with the local codes or ordinances and the National Electrical Code. If you are unfamiliar with electric wiring, please consult a qualified and licensed electrician.
- Make sure you have a location selected for your fan that allow clear space for the blades to rotate, and at least seven (7) feet of clearance between the floor and the fan blade tips. The fan should be mounted at least thirty (30) inches from walls and/or other upright structures.
- WARNING:** The outlet box and ceiling support joist used must be securely mounted, and capable of supporting at least 100 pounds. To reduce the risk of fire, electric shock or personal injury, mount to the outlet box marked acceptable for fan supported and use mounting screws provided with the outlet box. The box must be supported directly by the building structure.
- WARNING:** To reduce the risk of fire, electric shock or personal injury, mount to outlet box marked "acceptable for fan support" and use mounting screws provided with the outlet box. Most outlet boxes commonly used for the support of lighting fixtures are not acceptable for fan support and may need to be replaced. Consult a qualified electrician if in doubt.
- Electrical diagrams are for reference only. Light kits that are not packed with the fan. It must be UL listed and marked suitable for use with the fan model you are installing. Switches must be UL general use switches. Refer to the instructions packaged with the light kits and switches for proper assembly.
- After installation is complete, check that all connections are firmly secured.
- After making electrical connections, spliced conductors should be turned upward and pushed up carefully into outlet box. The wires should be placed apart with the grounded conductor and the equipment-grounding conductor on opposite side of the outlet box.
- WARNING:** To reduce the risk of electrical shock and fire, do not use this fan with any solid-state fan speed control device, or rheostat.
- Do not separate the reverse switch until the fan has come to a complete stop.
- Do not insert anything into the fan blades while they are rotating.
- WARNING:** To reduce the risk of personal injury, do not bend the blade brackets (also referred to as "flanges") during assembly or after installation. Do not insert objects in the path of the blades.
- To avoid personal injury or damage to the fan and other items, be cautious when working around or cleaning the fan.
- Do not use water or detergent when cleaning the fan or fan blades. A dry dust cloth or lightly dampened cloth will be suitable for most cleaning.

NOTE: The important safety precautions and instructions on the manual are not meant to cover all possible conditions and situations that may occur. It is understood that common sense and caution are necessary factors during the installation and operation of the fan.

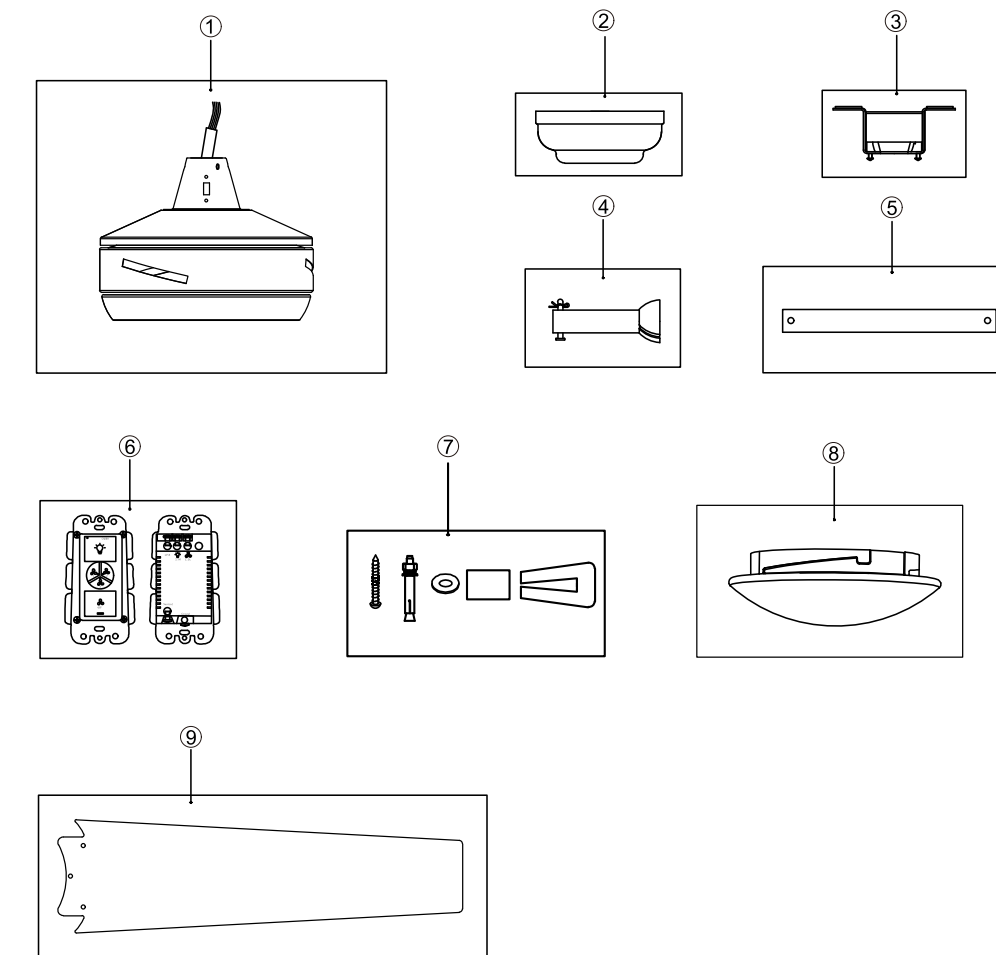
NOTE: This product is not intended for use by persons (including children) with reduced physical, sensory or mental capabilities that are different or impaired, or lack of experience and/or knowledge, unless such persons are supervised and/or trained to operate the appliance by a person responsible for their safety.

NOTE: Children should be supervised to ensure that they do not use appliances as a toy.

NOTE: You must install a switch or circuit breaker that disconnects all power poles of at least 3 mm between each pole.

BEFORE INSTALLATION:

Unpack your fan and check for the following contents.



- Fan motor assembly.
- Canopy.
- Hanger bracket.
- Downrod & hanger ball.
- Optional downrod.
- Hardware bag (Wood screws, Expansion screws, Screw washers, Balance tapes).
- Wall control.
- Glass shade.
- Fan Blades.

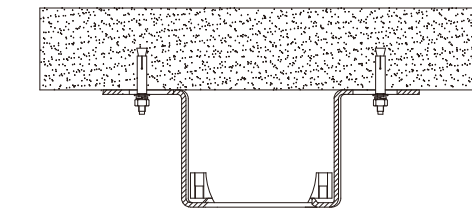
INSTALLING THE FAN:

Tools Required: Phillips screwdriver, pair of pliers, straight slot screwdriver, adjustable wrench, step ladder, and wire cutters.

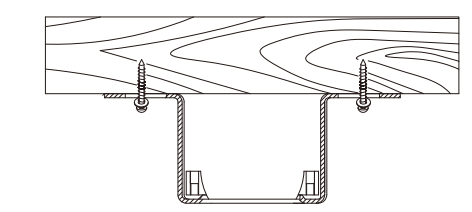
INSTALLING THE MOUNTING BRACKET:

The ceiling fan must be installed in a location so that the blades are 12"(300mm) spacing from the tip of the blade to the nearest objects or walls. When hanging the Fan REMEMBER to turn off the power. Follow the instruction below to hang your fan properly:

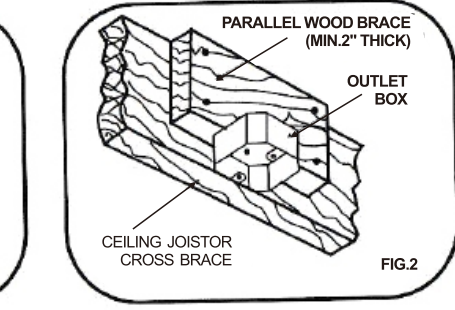
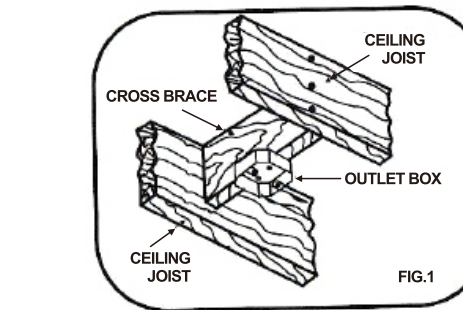
- For concrete ceiling, drill two holes in the ceiling and secure the mounting bracket to the ceiling with two $\Phi 0.32$ "(8mm) (distance between the two holes should be appropriate) expansion screws, flat washers, nuts provided and tighten with a spanner.



- For wood ceiling, Secure the mounting bracket to the ceiling is capable of carrying a load of at least 100lbs(45kgs) with two long mounting screws and washers provided. Be sure at least 0.12"(30mm) of the screw is threaded into the support.

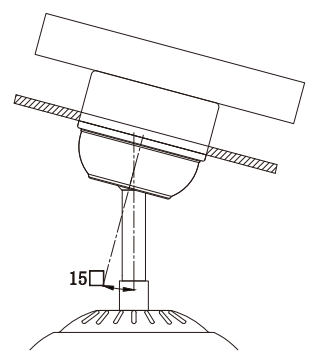


- For installing to outlet box, secure the outlet box directly to the building structure. Use appropriate fasteners and building materials. The outlet box and its support must be able to fully support the moving weight of the fan(at least 100lbs). Use a UL listed metal outlet box. Do not use a plastic outlet box. Figure 1& 2 examples to mount the outlet box.



- Refer to the Fig. on th right for mounting when the ceiling is angled (Max. 15°).

NOTE:Hanger after the installation must be able to withstand the weight of 100lbs(45kgs) or more, after the installation.



INSTALLING THE DOWNROD:

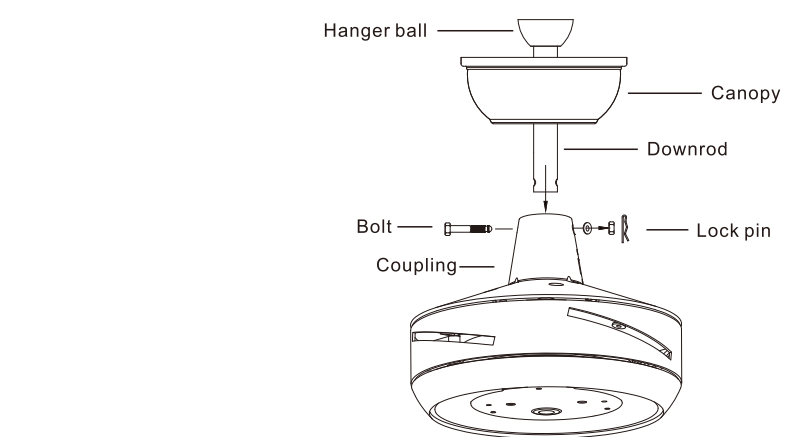
When hanging the Fan REMEMBER to turn off the power. Follow the steps below to hang your fan properly:

- Remove the bolt, lock pin and set screws from the top of the housing assembly.
- Route wires exiting from the top of the fan motor through the bolt&pin cover, canopy and then through the ball / downrod.
- Align the holes at the bottom of the downrod with the holes in the coupling on top of the top housing .
- Carefully insert the Bolt through the holes in the Coupling and downrod. Be careful not to jam the Bolt against the wiring inside the downrod. Insert the locking pin through the hole near the end of the Bolt until it snaps into its locked position.
- Tighten two set screws on top of the fan housingr firmly.

Changing the Downrod (Optional):

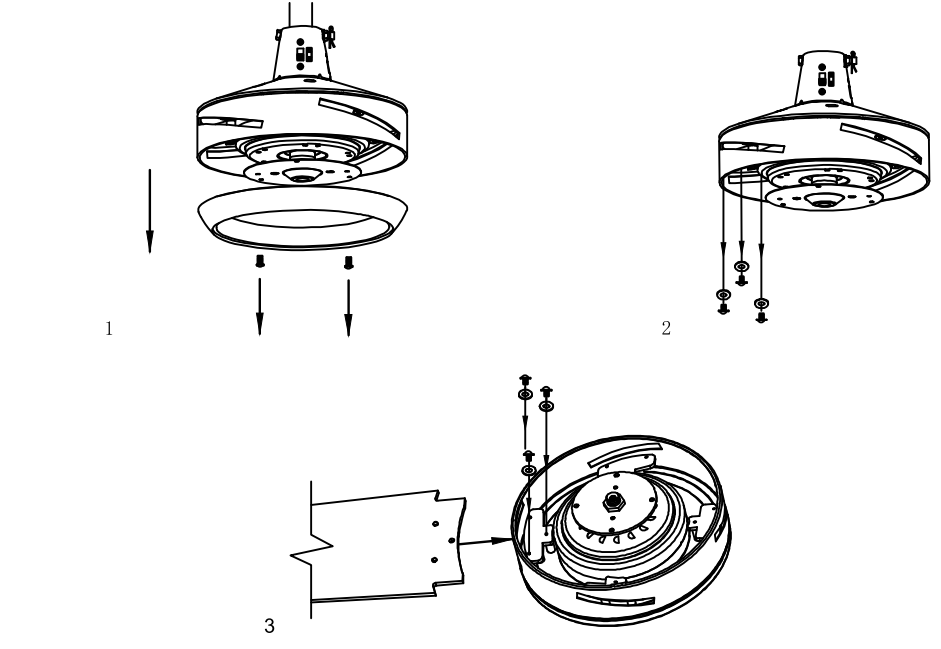
NOTE: Your fan comes with a 25cm downrod attached to the hanger ball. In addition, a 10cm downrod has been provided to be used in case the ceiling is lower. In this case, perform the following steps for correct installation:

- Remove the hanger ball from downrod by loosening the setscrew at the top of the downrod which holds the hanger ball to the downrod.
- Slide the hanger ball down the downrod and remove the support pin.
- Insert the support pin in the holes at the top of the 10cm downrod and slide the hanger ball up the 4" 10cm downrod. Make sure the support pin is properly seated in the grooves in the top of the hanger ball.
- Tighten the set crews firmly .

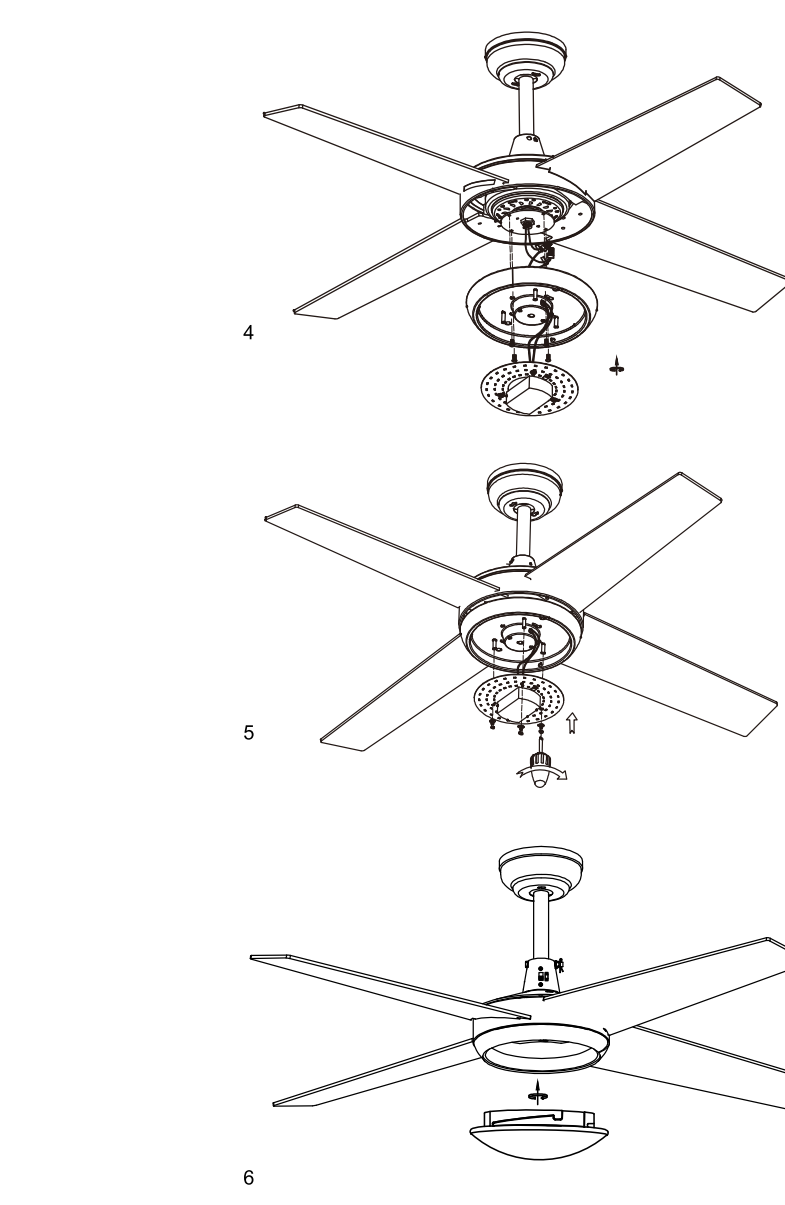


INSTALLING THE LIGHT KIT AND FAN BLADES:

- Loosen 3 screws and remove 1 screw from the light pan. Then, remove the light pan pre-assembled from the base plate.
- Insert fan blade into the slot on flywheel. Install fan blade with screws and washers provided, aligning each of the holes and tighten all screws securely. Repeat this process for remaining fan blades.
- Make the electric connections. Please refer to the Section 'MAKE THE ELECTRIC CONNECTIONS'.



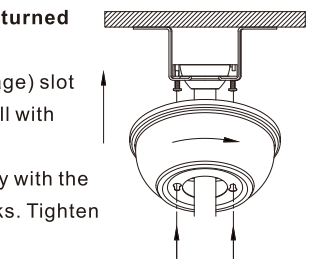
- Re-install the light pan to the base plate by using the screws that were loosened and removed previously. Tighten all screws securely.
- Attach the LED board to the light pan with the screws that are pre-assembled. Connect the wire male plug from the LED driver to the corresponding female terminal on the LED board. Make sure the connection is secured.
- Raise and hold the glass shade close to the light pan, turn glass shade until it locks in place.



INSTALLING THE FAN TO MOUNTING BRACKET ON CEILING :

WARNING: To avoid possible electrical shock, be sure electricity is turned off at the main fuse box before wiring.

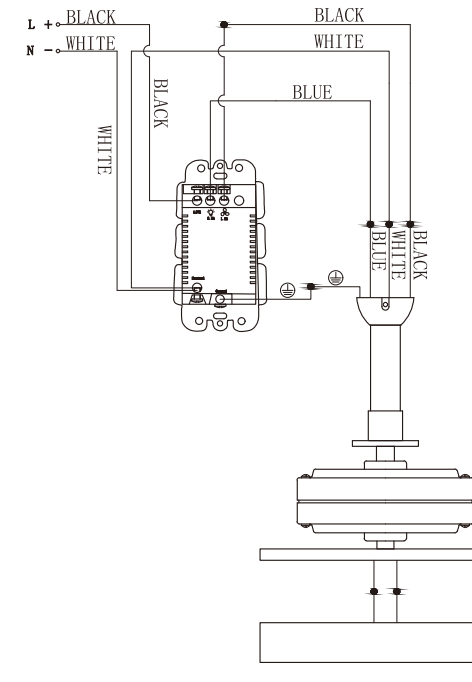
- Install ball end of downrod into mounting bracket opening. Align (engage) slot on ball with tab on mounting bracket. Warning: Failure to align slot on ball with tab may result in serious injury.
- Slide the canopy up to ceiling and align the keyhole slots on the canopy with the preassembled screws on the hanger bracket. Twist clockwise until it locks. Tighten the two screws securely.



MAKE THE ELECTRIC CONNECTIONS :

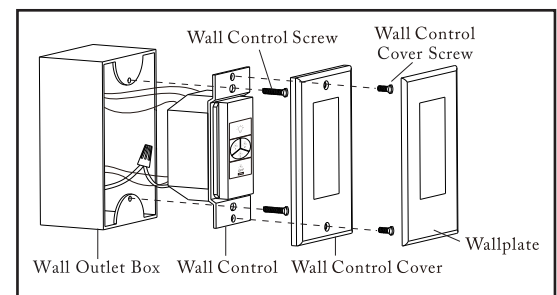
WARNING: To avoid possible electrical shock, be sure electricity is turned off at the main fuse box before wiring.

- Connection between fan and house. Connect Black(hot) wire from house to the Black wire from fan. Connect White(neutral) wire from house to White wire from fan. Connect Blue wire from fan to Light(Hot) wire from house. Connect all green grounded wires to Grounded wire from House. Secure the wire connections with the wire nuts provided.
- Connection between wall control and house. Connect Black wire from wall control to Black(Hot) wire from house. Connect White wire from wall control to White(Neutral) wire from house, using wire nuts provided.
- Connection between fan motor and light kit. Connect the two wires from LED module to the black and blue wires from fan with wire nuts provided.



WALL CONTROL INSTALLATION::

Carefully tuck the wire connections from wall control inside wall outlet box.
Secure the wall control with two wall control screws provided.
Attach the wall control cover over the wall control and secure with two wall control cover screws provided.
Then snap in the wallplate.



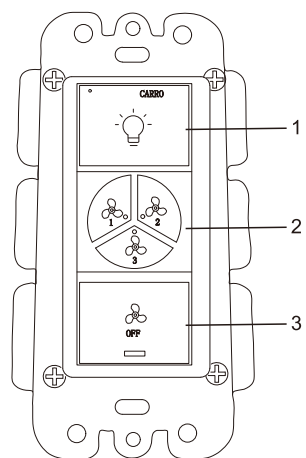
USING YOUR CEILING FAN :

WALL CONTROL

Turn on the power and check the operation of the fan

- 1 – Lamp Switch
 - 2 – Speed Control
 - 3 – Fan Shutdown
- Reverse function

Slide the forward/reverse switch on the switch box to get desired airflow direction.



AFTER INSTRUCTION:

FAN WOBBLE:

The fan blades have been adjusted in the factory to minimize any wobble
NOTE:CEILING FANS TEND TO MOVE DURING OPERATION DUE TO THE FACT THAT THEY ARE MOUNTED ON A RUBBER CROMMET. IF THE FAN WAS MOUNTED RIGIDLY TO THE CEILING, IT WOULD CAUSE EXCESS VIBRATION. MOVEMENT OF A FEW CENTIMETERS IS QUITE ACCEPTABLE AND DOES NOT SUGGEST ANY PROBLEM TO REDUCE THE FAN WOBBLE: PLEASE CHECK THAT ALL SCREWS WHICH SECURED THE MOUNTING BRACKET AND DOWNROD ARE SECURE.

BALANCING A WOBBLING CEILING FAN:

For your convenience, a Balancing Kit is included; please follow this procedure when balancing the fan:

- 1.Check that all blade and blade arm screws are secure.
- 2.Most fan wobbling problems are caused when blade levels are unequal. Check this level by selecting a point on the ceiling above the tip of one of the blades. Measure this distance.Rotate the fan until the next blade is positioned for measurement. Repeat for each blade. The distance deviation should be equal within 1/8”(0.32cm).
- 3.Use the enclosed Blade Balancing Kit if the blade wobble is still noticeable.
- 4.If the blade wobble is still noticeable, interchanging two adjacent (side by side) blades can redistribute the weight and possibly result in smoother operation.

WARNING: TO REDUCE THE RISK OF PERSONAL INJURY, DO NOT BEND THE BLADE ARM WHILE INSTALLING, BALANCING THE BLADES, OR CLEANING THE FAN. DO NOT INSERT FOREIGN OBJECTS BETWEEN ROTATING FAN BLADES.

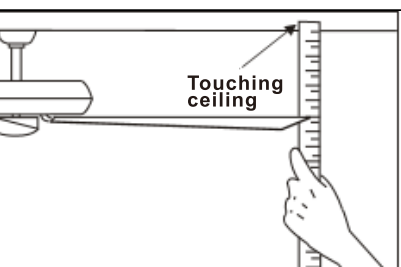
NOISE

When it is quiet(especially at night) you may hear occasional small noises. Slight power fluctuations and frequency signals superimposed in the electricity for off-peak hot water control,may cause a change in fan motor noise. This is normal. Please allow a 24-hour “breaking-in” period, most noises associated with a new fan disappear during the time.

CARE AND CLEANING

- 1.Periodic cleaning of your ceiling fan is the only maintenance required. Use a soft brush or lint free cloth to avoid scratching the paint finish. Please make sure to turn off electricity power before you clean your fan.
- 2.Do not use water when cleaning your ceiling fan. It could damage the motor or the blades and create the possibility of an electrical shock.
- 3.Motor has permanently lubricated ball bearing. No need to oil.

NOTE: MAKE SURE THE POWER IS OFF AT THE ELECTRICAL PANEL BOX BEFORE YOU ATTEMPT ANY CLEANING OR REPAIRS.



APP Control Connection:

1. First download the app for free from the App Store or Google Play or scan the barcode below.
2. Open the app to create your account. The account with “Carro Home” can be registered through E-mail or Mobile phone. If you already have the account number, just log in with your username and password.
3. Set up a WIFI connection. (EZ Mode or AP Mode)
EZ Mode
 - a. Turn on Wi-Fi on phone settings.
 - b. Tap “Add device”.(Make sure the fan is powered on and there is a red light blinking fast in the center of the ceiling fan lampshade.)
 - c. Tap “Carro smart ceiling fan” button under “Air circulation” menu. Tap “Next”. (The default pairing mode is EZ Mode for WIFI connection)
 - d. Select your home WIFI and enter password, tap “Confirm”.
 - e.Wait for the connection to be completed, will enter the main control UI.



If you are unable to set up a WIFI connection via EZ Mode, try AP Mode and follow the below steps.

AP Mode

- a. Press and hold button for 5 seconds.
- b. Tap “Add device”. (Make sure the fan is powered on and there is a red light blinking slowly in the center of the ceiling fan lampshade.)
- c. Tap “Carro smart ceiling fan” button under “Air circulation” menu.
- d. Tap “Net Pairing Mode”, select “AP Mode”. Tap “Next”.
- e. Select your home WIFI and enter password, tap “Confirm”.
- f. Connect to Carro “CarroHome-xxxx” WIFI signal.
- g. Reopen the APP.
- h. Wait for the connection to be completed, will enter the main control UI.

4. The app will walk you through the main screen and show you how to create schedules, change fan speeds, dim the light, switch between Summer/Winter mode, invite users, create groups and much more. Refer to app instructions for more details.If necessary, you can reconnect the device according to the above steps.

FCC Statement:

NOTE:This equipment has been tested and found to comply with the limits for a Class B digital device, pursuant to part 15 of the FCC Rules, These limits are designed to provide reasonable protection against harmful interference in a residential installation. This equipment generates, uses and can radiate radio frequency energy and, if not installed and used in accordance with the instructions, may cause harmful interference to radio communications. However, there is no guarantee that interference will not occur in a particular installation. If this equipment does cause harmful interference to radio or television reception, which can be determined by turning the equipment off and on, the user is encouraged to try to correct the interference by one or more of the following measures:

- Reorient or relocate the receiving antenna.
- Increase the separation between the equipment and receiver.
- Connect the equipment into an outlet on a circuit different from that to which the receiver is connected.
- Consult the dealer or an experienced radio/TV technician for help.

WARNING: Changes or modifications to this unit not expressly approved by the party responsible for compliance could void the user’s authority to operate the equipment.

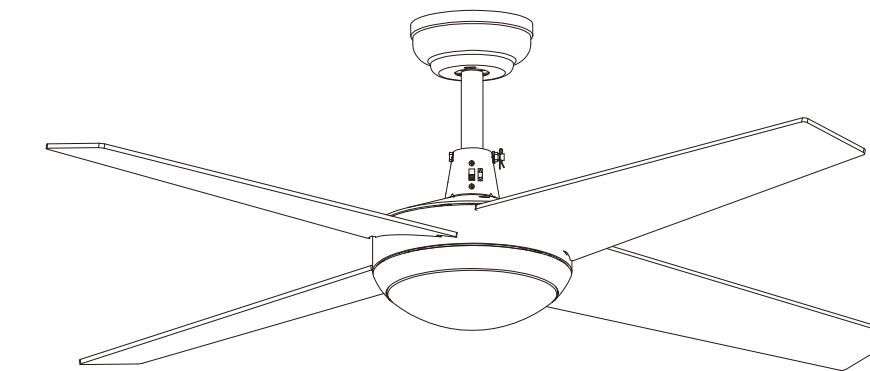
Troubleshooting:

Your fan may occasionally jerk forward and backward upon start up. This is normal and does not affect fan operation.
Try these troubleshooting steps before contacting Customer Service.

Issue	Solution
The fan will not start.	<ol style="list-style-type: none">1.Make sure the fan is receiving power.2.Check your circuit breaker or fuse panel and wall switch for functionality.3.Make sure the fan is properly wired and grounded. Check all connections for any damaged, broken, or frayed wires.4.Make sure the plastic film in the remote’s battery tray has been removed.5.Remote control must be paired within 10mins of connecting ceiling fan to power source.6.Check to make sure remote control is correctly paired.7.Any wires connecting ceiling fan to power source must be in ON position.8.Try to search the WIFI signal on your phone settings and connect with the app, check to see if the app is able to find the fan.9.If you have paired the remote or the app and the fan still does not start, then try to reset the fan: To reset the fan, cut the power for 10 minutes, then turn the power on and press the pairing button on the remote for 5 seconds until “beep”, then pair the app again to reconnect.
The fan wobbles and noisy	<ol style="list-style-type: none">1. Blade screws with the plastic round part against the motor or not.2. Check all the pin wire connect against the moving part.3. Check the down fan cup hit the motor.4. The light kit slanting.5. Check the down rod slanting or not.6. Make sure the colour sticker on the motor and blades match each other.7. Turn off the fan then make the fan running by hand and listen still have noise or not.8. Take out the middle black cover on the light kit and check the middle big nut loose or not.9. When the fan running, touch the light kit by hand, try to make the light kit stable.10. Check the downrod and pivot ball hanging on the bracket if it is seated correctly and in the retention slot.11. Check all mounting points and bracket to see if there are any screws loose.12. The ceiling beam must meet the tensile test strength of 30KG for installation.13. Make sure the airfoils or brackets have not been bent or deformed.
LED OFF	<ol style="list-style-type: none">1.Make sure LED wires connect with the controller.2.Make sure the whole fan is powered.3.Make sure the remote control code is matching.
Unable to pair remote and app	<ol style="list-style-type: none">1.Check if the wires are connected in the right position or not.2.Check the batteries on the remote.3.Disconnect the power for 10 minutes, then reconnect the power and pair the remote with the fan again within 5 seconds. Also try to pair the app again to reconnect.4.The WIFI must be 2.4Ghz, incompatible with 5Ghz WIFI.

Try these troubleshooting steps before contacting Customer Service. For additional operation, maintenance, and troubleshooting information, please contact our service center directly.

1431 S. Baker Ave. Ontario, CA 91761 USA
Tel: 888-253-2374 | cs@carrohome.com



ITEM: WGS-484CL/CF448KDR

Technical Parameter: AC 120V 60HZ

SMART CEILING FAN INSTALLATION GUIDE

Please read and follow the instructions carefully before using this product