

THANK YOU FOR YOUR PURCHASE

To ensure correct function and safety, please read and save all instructions before using the product.

SAFETY INFORMATION

- To avoid possible electric shock, turn off the electricity at the main fuse box or circuit panel before you begin the fan installation or before servicing the fan or installing accessories.
- Read all instructions and safety information carefully before installing your fan and save these instructions.
- Make sure all electrical connections comply with local codes or ordinances and the National Electrical Code. If you are unfamiliar with electric wiring, please use a qualified and licensed electrician.
- To reduce the risk of injury to persons, install fan so that the blade is at least 2.1 meters (7 Feet) above the floor.
- WARNING:** To reduce the risk of fire, electric shock, or personal injury, mount to outlet box marked (acceptable for fan support of 15.9kg(35lbs) or less) and use mounting screws provided with the outlet box. Most outlet boxes commonly used for the support of luminaries are not acceptable for fan support and may need to be replaced. Consult a qualified electrician if in doubt.
- To reduce the risk of personal injury, use only approved hanging brackets and screws supplied with the fan for mounting to the outlet box.
- After installation is complete, check that all connections are firmly secured.
- Wooden blades are not intended for storage or installation in spaces that are not temperature controlled. To avoid issues with blade warping do not store or install ceiling fans in areas without air conditioning.
- Do not operate the reverse switch until the fan has come to a complete stop.
- WARNING:** To reduce the risk of personal injury, do not bend the blade brackets (also referred to as "flanges") during assembly or after installation. Do not insert objects in the path of the blades.
- To avoid personal injury or damage to the fan and other items, be cautious when working around or cleaning the fan.
- Do not use water or detergent when cleaning the fan or fan blades. A dry dust cloth or lightly dampened cloth will be suitable for most cleaning.

WARNING: To reduce the risk of fire or electric shock, do not use this fan with any solid-state speed control device.

WARNING: To reduce the risk of personal injury, do not insert foreign objects in between rotating fan blades.

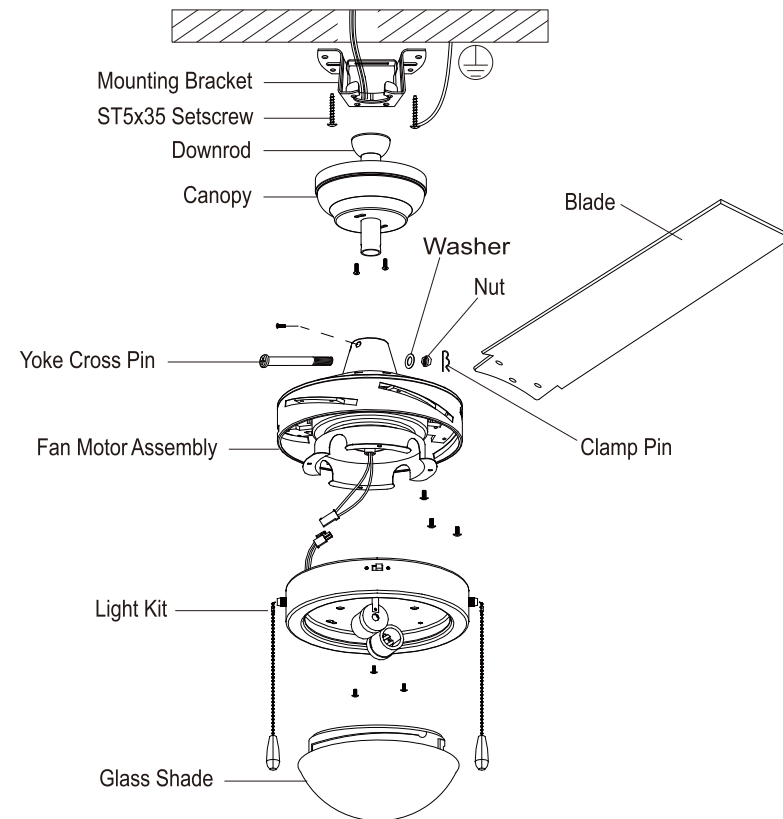
WARNING: To reduce the risk of personal injury, use only parts provided with fan.

The use of parts other than those provided with fan will void the warranty.

NOTE: The important safeguards and instructions appearing in this manual are not meant to cover all possible conditions and situations that may occur. It must be understood that common sense, caution and care are factors which cannot be built into this product.

These factors must be supplied by the person(s) installing, caring for and operating the unit.

Product instruction:



				#8-32 Setscrew icon"/>						
4 pcs	2 pcs	4 pcs	4 pcs	2 pcs	2 pcs	2 pcs	1 pc	10 pcs	10 pcs	2 pcs

UNPACKING YOUR FAN

PREPARATION:

1. Unpack your ceiling fan carefully, then remove all parts and components, and lay on a cloth or soft surface to avoid damage. DO NOT lay the motor housing on its side, the housing may get damaged.

2. Before commencing installation, check that all parts are included.

NB: You may need to remove all foam packaging material to ensure there are no missing components.

CONTENTS:

1. Mounting bracket 2. Downrod & hanger ball 3. Canopy 4. Fan motor assembly 5. Light kit 6. Glass shade 7. Blades 8. Hardware kit 9. Light bulbs

INSTALLATION AND ASSEMBLY

Tools Required: Phillips screwdriver, Pair of pliers, straight slot screwdriver, adjustable wrench, step ladder, and wire cutters.

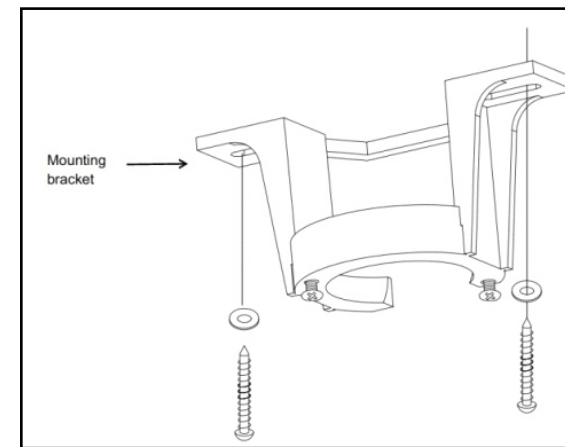
CAUTION: Before installing the fan make sure you have turned OFF the electricity supply.

INSTALL MOUNTING BRACKET

The ceiling fan must be installed in a location so that the blades are 30 inches (762mm) spacing from the tip of the blade to the nearest objects or walls. When hanging the Fan REMEMBER to turn off the power. Follow the instruction below to hang your fan properly:

- Choose a location for mounting the fan where the blades will have at least 2.1 meters of clearance from the floor
- Make sure that the installation site will not allow the rotating fan blades to come into contact with any object and that there is a minimum clearance of 30 inch from the blade tip to the wall or ceiling. Please note that the bigger this clearance is the better the airflow from your fan will be.
- DO NOT use outdoors. Installing the fan in a position where it could be exposed to water or moisture is dangerous. Dry areas are acceptable.
- If the location you have chosen does not have a suitable support beam capable of supporting 35 pounds, install a brace 2"x4" between the ceiling joists as a support medium.
- Secure the mounting bracket to the ceiling joist or suitable structure or outlet box that is capable of carrying a load of at least 15.9kg(35lbs), with the two long fixing screws provided. Ensure that at least 30mm of the screw is threaded into the support.

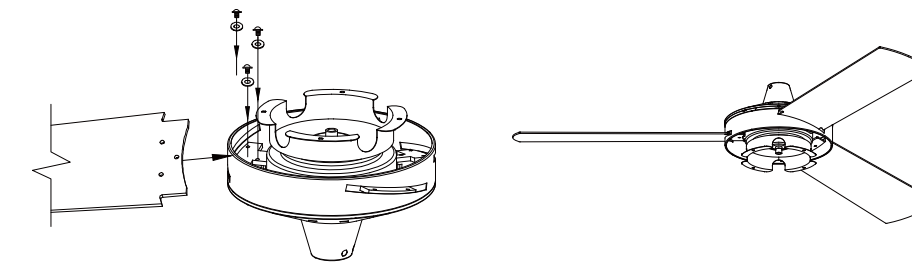
NB: The fixing screws included are designed for use when ceiling fan is secured onto timber joists or UL approved outlet box for fan or some surfaces. For some other surfaces, additional and suitable fixing screws for that surface may need to be purchased.



WARNING: To reduce the risk of fire, electric shock or personal injury, mount to outlet box marked "(acceptable for fan support of 15.9kg(35lbs) or less)" and use mounting screws provided with the outlet box, most outlet boxes commonly used for the support of lighting fixtures are not acceptable for fan support and may need to be replaced. Consult a qualified electrician if in doubt.

BLADES ASSEMBLING

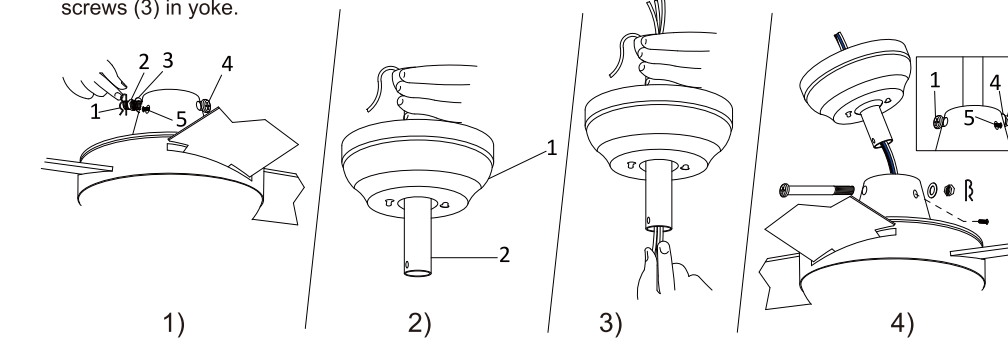
- Insert the blade through the slot of motor housing and align 3 screw holes on blade holder.
- Secure each blade with 3 blade screws and washers provided. Make sure 3 blade screws are tightened evenly.
- Do not over tighten the screws as this could damage the blade.
- Repeat above processes for remaining blades.



DOWNROD / BALL ASSEMBLING

When hanging the Fan REMEMBER to turn off the power. Follow the steps below to hang your fan properly:

- Remove clamp pin (1) and nuts (2), washers (3), cross pin (4) from fan motor assembly (5).
- Place downrod assembly (2) into canopy (1). Feed motor wires through the downrod assembly (2).
- Feed motor lead wires through downrod/canopy assembly.
- Place insert downrod into downrod yoke. Make sure to align hole in downrod with the hole in downrod yoke. Install yoke cross pin (1) through yoke and downrod. Insert the washers (4) into the cross pin and lock it with the nuts (3). Insert clamp pin (2) into cross pin until it snaps into place. Tighten set screws (3) in yoke.

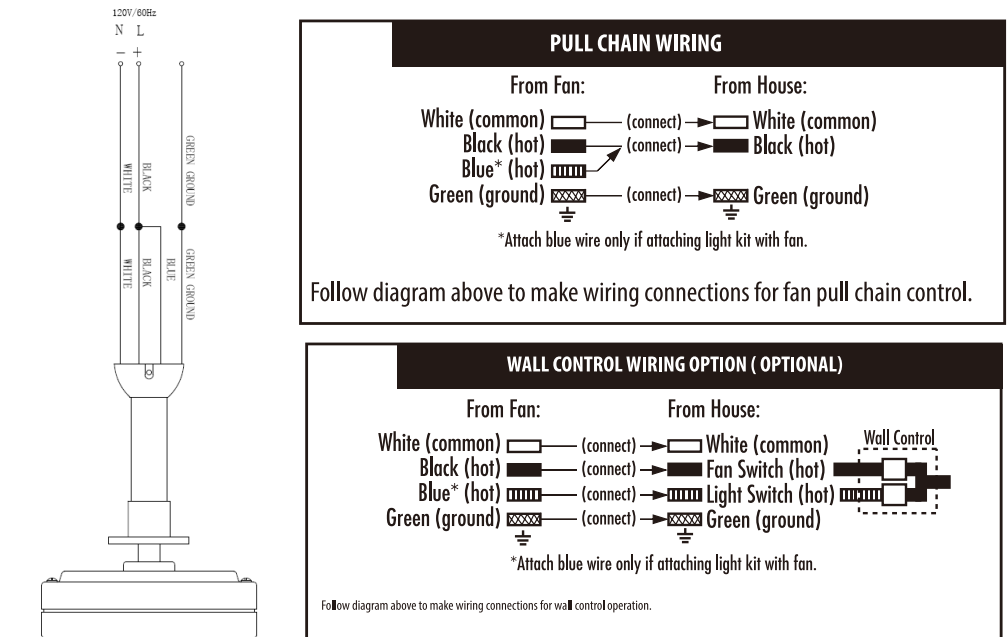


MAKE ELECTRICAL CONNECTIONS

WARNING: To avoid possible electrical shock, be sure electricity is turned off at the main fuse box before wiring.

When fan is secured in place on the mounting bracket, make electrical connections as follows;

- Connect Black (Fan) wire and Blue (Light) wire to Black (Live) outlet box wire, White fan wire to White (Neutral) outlet box wire.
- Connect the grounding wire from the outlet box to green wires from mounting bracket and downrod ball together.
- Secure all connections with wire nuts provided and make sure there are no loose strands or connections.



MOUNTING THE FAN

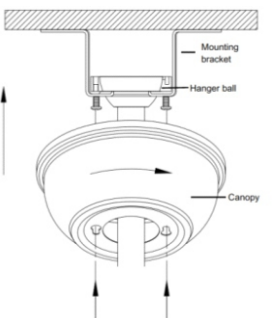
WARNING: To avoid possible electrical shock, be sure electricity is turned off at the main fuse box before wiring.

1. Install hanger ball at the end of downrod into mounting bracket opening. Align (engage) slot on ball with tab on mounting bracket.

Warning: Failure to align slot on ball with tab may result in serious injury.

2. Make wire connection between the Fan and power supply. (Please refer to the section 'WIRE CONNECTION')

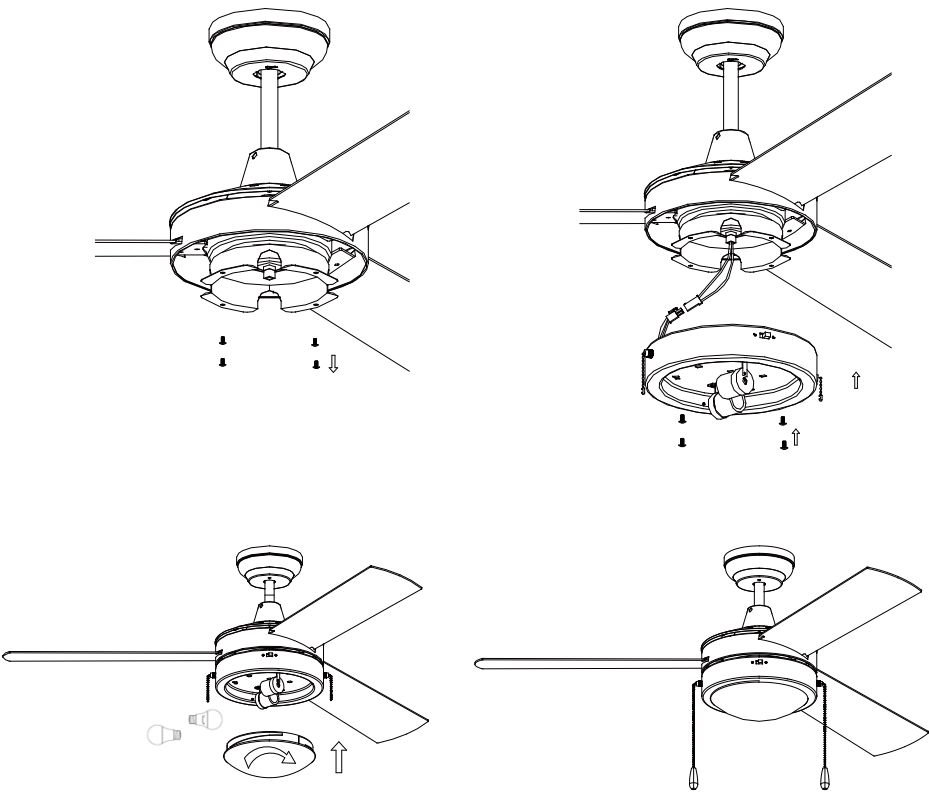
3. Slide the canopy up to ceiling and align the keyhole slots on the canopy with the preassembled screws on the hanger bracket. Twist clockwise until it locks. Tighten two screws to fix the canopy securely.



INSTALLING THE LIGHT KIT

1. Make the electric connections between the fan motor and light kit. Connect the wires from motor housing to wires from light kit with the male and female plugs.
2. Remove one light kit screw from the motor assembly, and loosen but DO NOT remove the other three keyhole screws.
3. Attach the light kit pan to the motor housing, and feed the loosen screws through the keyhole slots. Rotate the light kit plate so the screws slid into the narrow ends of keyhole slots, tighten screws securely. Install back the removed screw. Make sure all the screws are firmly tightened.
4. Install the 2 light bulbs and glass shade. Attach the glass shade to the light kit and secure it by turning clockwise.
5. Install the pull chains.

WARNING: Over lamping the fan will result in the fan lights shutting down until the proper wattage of bulbs are installed. Replace bulbs with the correct wattage bulbs, turn the power on.
WARNING: To prevent SERIOUS INJURY or DEATH, make sure that lampshade is properly secured. Allow the lampshade to cool completely before removing.

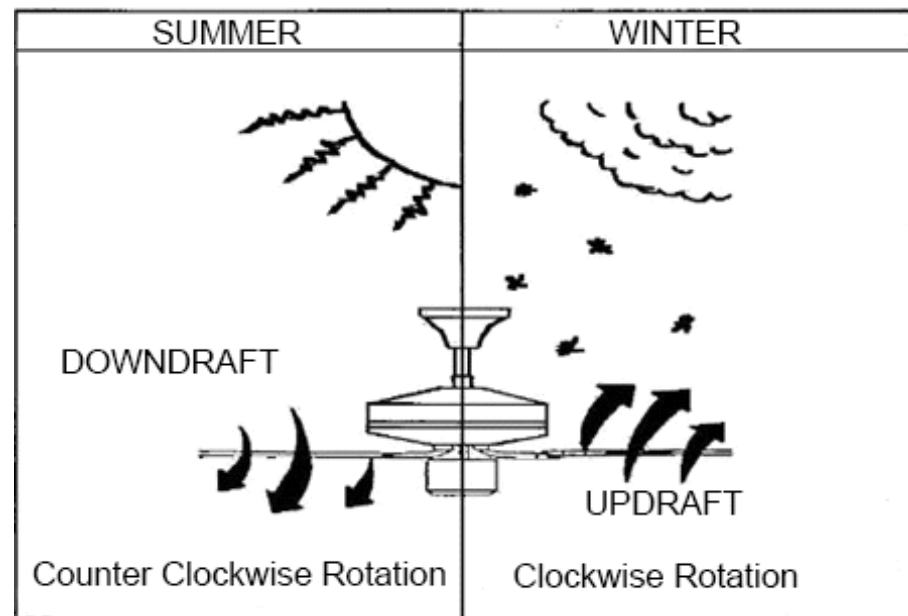


OPERATING YOUR FAN

A slide reverse switch located on the motor hub to control the direction of blades rotation. The slide switch controls direction, forward or reverse.
Warm weather/down position-(Forward) Fan turns counterclockwise direction. A downward air flow creates a cooling effect.
Cool weather/up position-(Reverse) Fan turns clockwise direction. An upward airflow moves warm air off the ceiling area.

WARNING: Turn fan completely off before moving the reverse switch(located on the motor housing)

IMPORTANT: Reverse switch must be set either completely to the "Reverse" position or completely to the "Forward" position for fan to function. If the reverse switch is set in the middle position, fan will not operate.



Turn on the power and check the operation of your fan.

3-SPEED PULL CHAIN
1 pull = High Speed
2 pulls = Medium Speed
3 pulls = Low speed
4 pulls = Fan off

To turn the light kit "ON" or "OFF", pull the chain attached to light kit

TROUBLE SHOOTING

FAN WILL NOT START:

1. Check all fuses or circuit breakers. Replace if missing.
Turn off electrical power and check all wire connections to fan and in switch housing.

FAN IS NOISY:

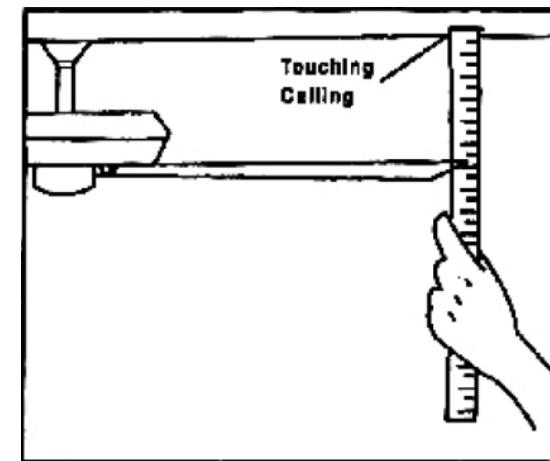
1. Always allow a few days "break in" time for any new fan at medium or high speed. Try to diagnose the exact location of the noise by listening carefully from several sides (blades, motor, light kits, etc.). Fan noise can come from a light kit.
2. Make sure all screws in the fan assembly and light kit are tight and properly threaded. If not, back out and retighten. Tighten these screws at least once a year because they may loosen slowly over time and cause a clicking noise.
3. Make sure the light kit is securely fastened to the fan, and all glass screws are finger tightened only. Do not tighten with pliers or a screw driver.
4. Make sure mounting bracket is installed snugly to junction box.
5. Make sure wire nuts in switch housing or canopy are not rattling against each other or against wall of housing. Wrap with electrical tape if necessary.
6. Make sure the canopy is not touching the ceiling.
7. Assure that the screws fastening blade arm to motor are tight and the lock washers provided for that purpose have been used.
Make sure all light bulbs are fully screwed in.

FAN TURNS BUT DOES NOT MOVE MUCH AIR:

1. The fan may be running in reverse, so air is directed upward.
2. The room may contain items that obstruct the air flow.
The fan may be too small for size of the room.

FAN SHAKES OR WOBBLER:

1. A small amount of movement is considered acceptable and should not be considered a defect.
2. Make sure mounting bracket is tight at junction box/ceiling with no movement at all. Tighten screws if necessary.
3. Make sure all screws holding the blades to the blade arm and blade arm to motor are tight. Make sure light kit/glass screws are tight.
4. Some fan movement is normal. However, interchanging and adjacent (side-by-side) blade pair may redistribute the weight and result in smooth operation.
5. Most fan wobble problems are caused when blade levels are unequal. Check this level by selecting a point on the ceiling above the tip of one of the blades. Measure this distance as shown in Figure. Measurements should always be within 1/8". Rotate the fan until the next blade is positioned for measurement. Repeat for each blade.



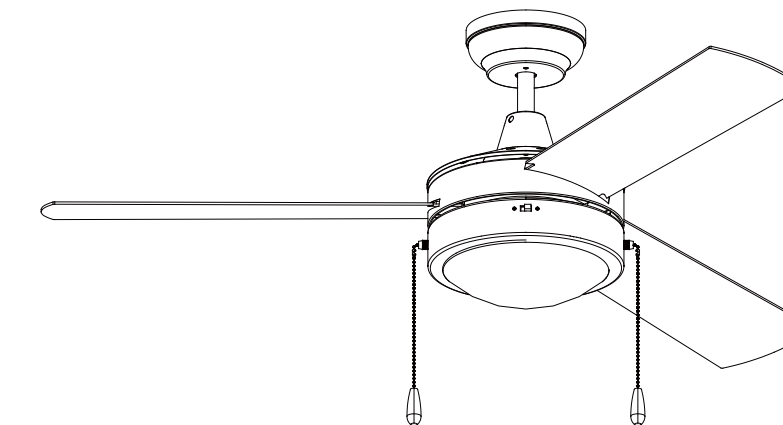
MAINTENANCE

1. The fan's natural movements may cause some connections to work loose. A clicking or rattling noise is a certain sign of loosening screws. Check the support connections, brackets and blade attachments twice a year, and tighten all screws as necessary. Make sure all screws attaching the glass to the fitter on the light kit are finger tight. Do not use a screw driver or pliers to tighten glass screws.
2. Clean your fan periodically. Use only a cloth dampened with a mild detergent solution. Never use solvents. Dust with a soft cloth or brush. Metal finishes are finished with a lacquer to prevent tarnishing.
3. You will never need to oil your fan. Its permanently sealed bearings will provide silent, trouble free operation for many years.
4. Make sure the power is turned off at the main fuse or circuit panel before you attempt any repairs.

OWNER'S INSTALLATION GUIDE

Read and Save These Instructions

52" Ceiling Fan



ITEM: 235011 BN
235011 BN/SR&BK
235011 WH/WH&LW

Technical Parameter: AC 120V 60HZ

Please read and follow all the Instructions carefully before using this product
The product image shown here is indicative only.
Actual product you receive may differ.