

## SAFETY PRECAUTION:

### IMPORTANT: PLEASE READ BEFORE INSTALLATION:

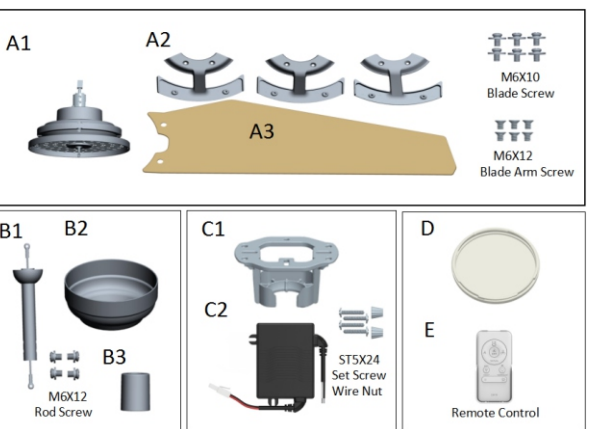
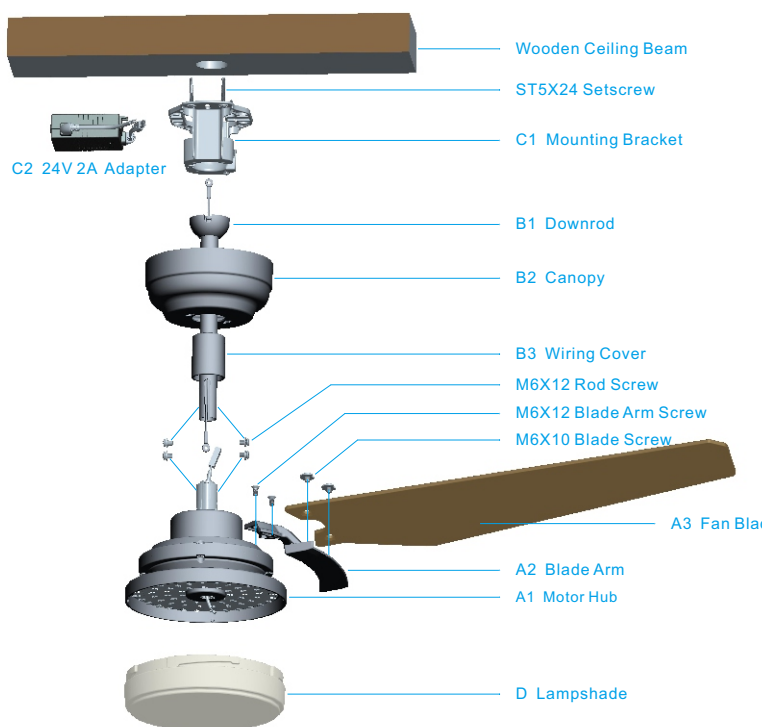
- Before you begin installing the fan, shut power off at the circuit breaker of the fuse box.
- CAUTION:** Read all instructions and safety information before installing your new fan. Review accompanying assembly diagrams.
- Make sure that all electrical connections are in accordance with National Electrical Code, ANSI/NFPA 70 and local codes. Hire a licensed electrician if you are unfamiliar with installing electrical wiring.
- Make sure the installation site you choose allows the fan blades to rotate without any obstructions. Allow a minimum clearance of 2.1m (7 feet) from the floor and 18 inches from the tip of the blades to the wall.
- WARNING:** To reduce the risk of fire, electric shock, or personal injury, mount to outlet box marked "Acceptable for Fan Support of 15.9 kg (35 lbs) or less" and use mounting screws provided with the outlet box.
- CAUTION:** To reduce the risk of injury, use only the screws provided with the outlet box in conjunction with the lock washers provided with the fan.
- The outlet box and support structure must be securely mounted and capable of reliably supporting a minimum of 35 pounds. Use only U.L. listed outlet boxes marked "Acceptable for Fan Support of 15.9 kg (35 lbs) or less".
- After you install the fan, make sure that all mounting components are secured to prevent the fan from falling.
- Do not insert anything into the fan blades while the fan is operating.
- To change the direction of the rotation of the blades the fan must be in operation mode.
- All set screws must be checked and retightened where necessary before installation.
- WARNING:** To reduce the risk of personal injury, do not bend the blade bracket when installing the brackets, balancing the blades, or cleaning the fan. Do not insert foreign objects in between rotating fan blades.
- CAUTION:** To reduce the risk of electric shock, disconnect the electrical supply circuit to the fan before installing light kit.
- After making the wire connections, the wires should be spread apart with the grounded conductor and the equipment-grounding conductor on one side of the outlet box and the ungrounded conductor on the other side of the outlet box.
- The splices after being made should be turned upward and pushed carefully up into the outlet box. Conductor wiring identified as grounded is to be connected to a grounded conductor of power supply. Conductor wiring identified as ungrounded conductor is to be connected to an ungrounded conductor. Conductor wiring identified for equipment grounding is to be connected to an equipment-grounding conductor.
- This device complies with part 15 of the FCC Rules. Operation is subject to the following two conditions: (1) This device may not cause harmful interference, and (2) this device must accept any interference received, including interference that may cause undesired operation.

- WARNING:** To reduce the risk of fire or electric shock, this fan must be installed with a general use, isolating wall control/switch.
- WARNING:** To reduce the risk of fire or electric shock, do not use this fan with any solid-state speed control device.
- NOTE:** The important safeguards and instructions appearing in this manual are not meant to cover all possible conditions and situations that may occur. It must be understood that common sense, caution and care are factors which cannot be built into this product. These factors must be supplied by the person (s) installing, caring for and operating the unit.
- This product is suitable for use in damp locations.
- CAUTION:** The light source is designed for this specific application and can overheat if serviced by untrained personnel. If any servicing is required, the product should be returned to an authorized service facility for examination or repair.

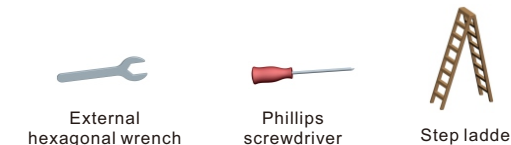
## BEFORE YOU START

Contact a licensed electrician if you are uncomfortable performing electrical work. A licensed electrician must install the fan if required by local code. Do not use the fan with a dimmer switch. Turn off power at breaker.

## Product instruction:



## Tools and Materials Required



## Installation:

### 1. Installing the Fan Blades:

- 1.1 Locate 6 blade attachment screws with integrated washers, and bigger washers in hardware pack. Secure each blade to the blade arm with the screws and washers as shown in Fig 1.1.
- 1.2 Fig 1.2 is the schematic diagram of the installed fan blade arm. Repeat for the remaining blades. Make sure all the screws are firmly tightened.

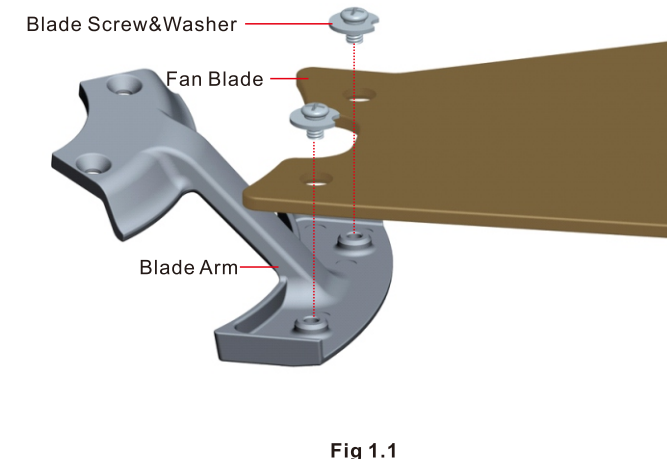


Fig 1.1

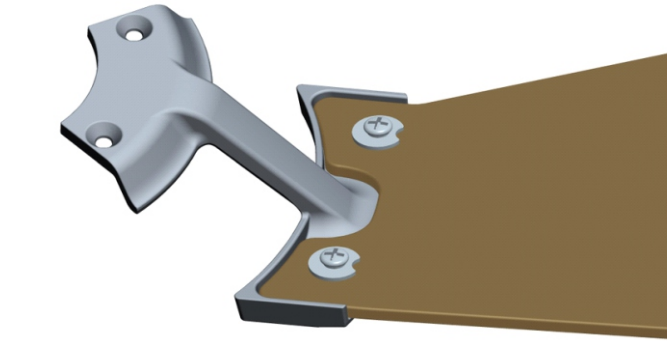


Fig 1.2

### 2. Installing the Prepared Fan Blade Arms:

- 2.1 Fix each prepared blade arm to the motor assembly with blade arm screws as shown in Fig 2.1.
- 2.2 Install the other blade arms with installed blades onto the corresponding mounting holes of the motor, as shown in Fig 2.2.

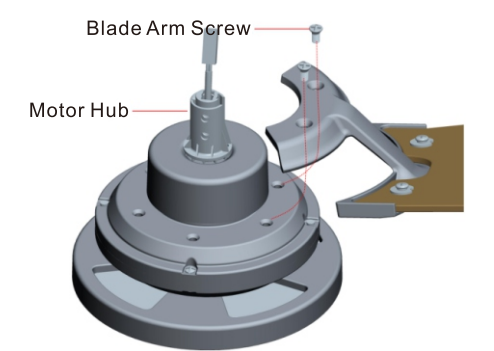


Fig 2.1

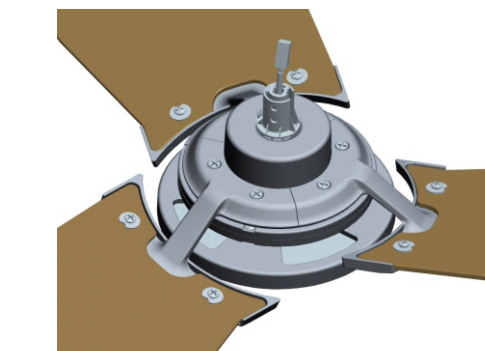


Fig 2.2

### 3. Attaching the Downrod:

- 3.1 Assemble downrod as pictured in Fig.3.1. (Please select the suitable length of rod for your ceiling.)
- NOTE: If you choose to install a safety cable/chain onto your ceiling fan, you will need to run it through the downrod prior to installation.

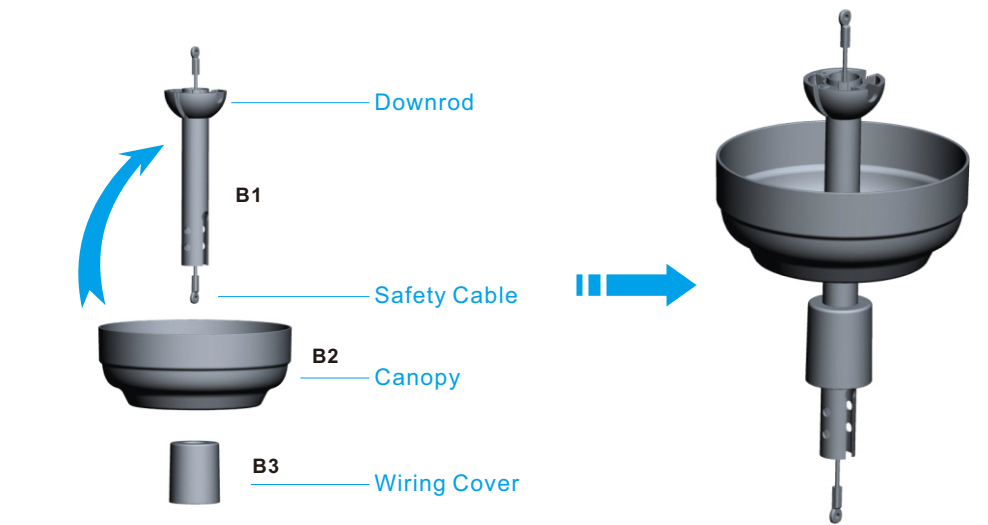
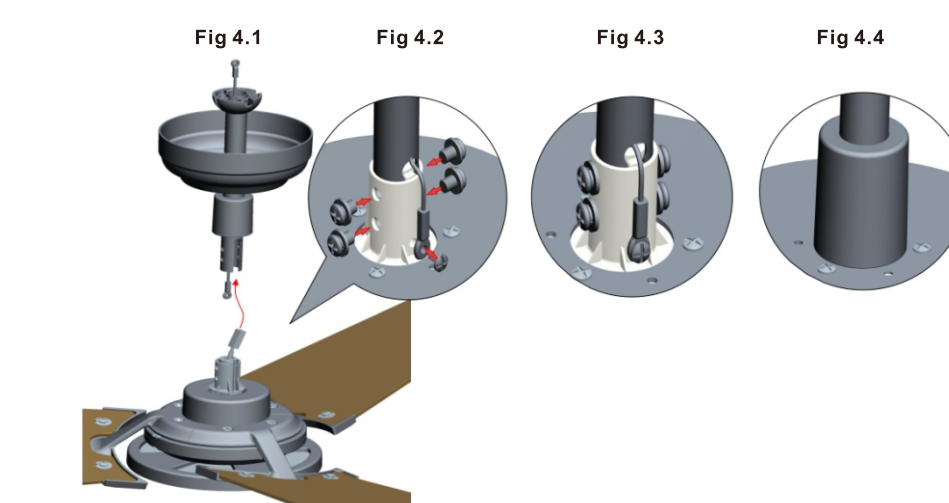


Fig 3.1

### 4. Installing the Downrod:

- Pass the motor power cord and safety cable through the downrod. (See Fig 4.1)
- Note:** Take out the end of the safety cable from the downrod before sliding the downrod into the plastic head of the motor assembly.
- Align the holes, secure with rod screws and washers in opposite directions from each other (2 sets on each side) and make sure the screws and washers are tightened firmly with a screwdriver. Remove the screw already set inside of the motor shaft, then secure the safety cable into the motor shaft firmly by this screw. (See Fig 4.2 & 4.3)
- Slide the wiring cover down until it rests on top of the motor assembly. (See Fig 4.4)



The downrod and canopy are assembled. (See Fig 4.5)

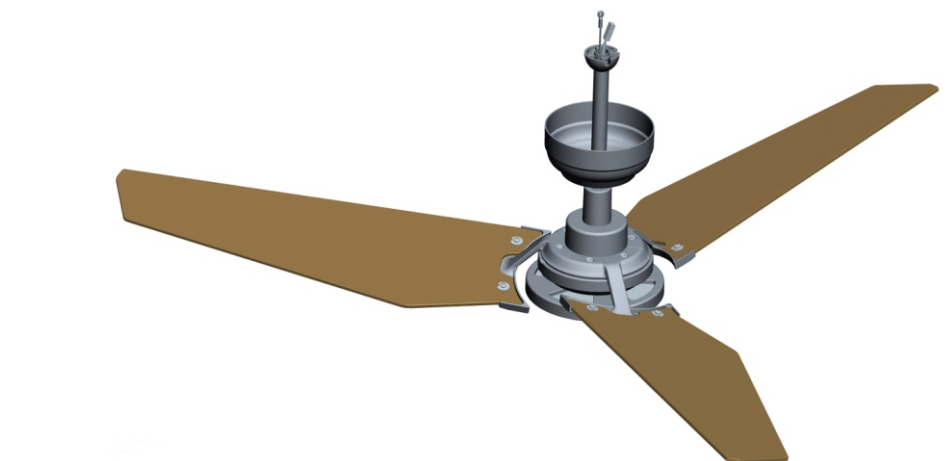


Fig 4.5

### 5. Installing the Mounting Bracket:

- Install the mounting bracket to the ceiling box, as shown in Fig 5.1 below. Rotate the mounting bracket in different directions so that the bracket mounting holes match the screw holes of the ceiling box.
- Note:** This mounting bracket is a standard cable box.
- If the mounting bracket is installed at the outlet box, it should be installed on the outlet box with two screws matching the outlet box itself, as shown in Fig 5.1.
- Note:** DO NOT use plastic outlet box. Use only U.L. listed outlet boxes marked "Acceptable for Fan Support of 15.9 kg (35 lbs) or less".
- This bracket can also be mounted to the wooden ceiling beam, and then the four ST5x24 screws can be used to lock the corresponding holes on the left and right sides of the bracket.
- Note:** The wooden ceiling beam must meet the tensile test of 30KG for installation, as shown in Fig 5.2. It is also possible to install the mounting bracket directly to the concrete ceiling and install four screws (not included) to the left and right corresponding holes of the bracket to lock the ceiling.

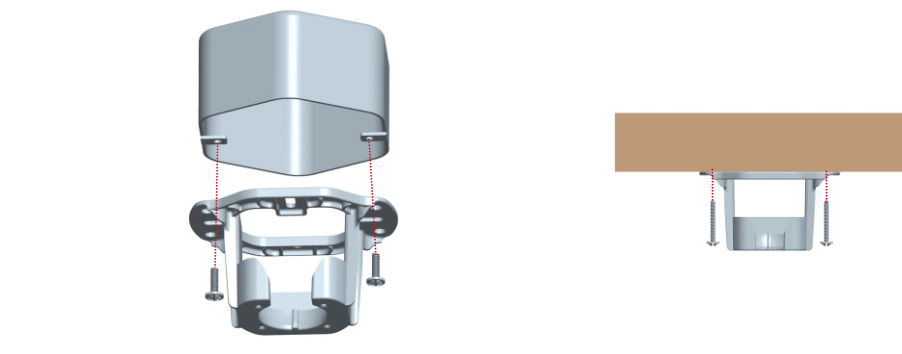


Fig 5.1

Fig 5.2

- If you have an angled or vaulted ceiling: (Fig 5.3)**
1. When installing the mounting bracket, the bracket groove is upward.
  2. You will need a longer downrod.
  3. If your ceiling angle is greater than 27°, you will also need an Angled Mounting Kit.

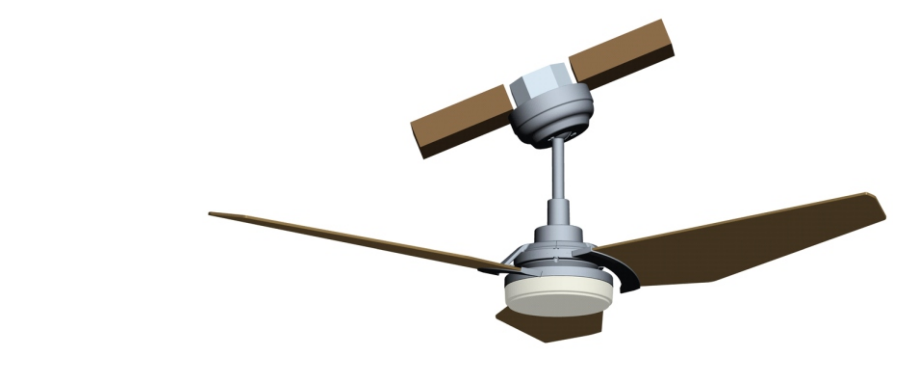


Fig 5.3

### 6. Hanging Ceiling Fan & Installing Power Adapter & Wiring the fan:

- WARNING:** To reduce the risk of fire, electric shock or other personal injury, mount the fan only to an outlet box or supporting system marked acceptable for fan support and use the mounting screws provided with the outlet box.
  - WARNING:** Check to see that all connections are tight, including ground, and there are no visible bare wires at the wire nuts (except for the ground wire).
  - WARNING:** To reduce the risk of fire or electric shock, do not use this fan with any solid-state speed control device.
  - WARNING:** To avoid any electrical shock, be sure electricity is turned off at the main fuse box before wiring.
- Install the ball end of the downrod into the opening of mounting bracket. Rotate the downrod until the tab in the mounting bracket is seated in the slot in the downrod ball as shown in the enlarged image of Fig 6.1. Attach the safety cable/chain to a ceiling joist or to a metal brace mounted to two ceiling joists, or a safe place.
- WARNING:** The fan and/or downrod should not rotate in the mounting bracket, if installed correctly. Failure to align the slot in the downrod ball with the tab on the mounting bracket may result in fan falling causing serious injury or death.

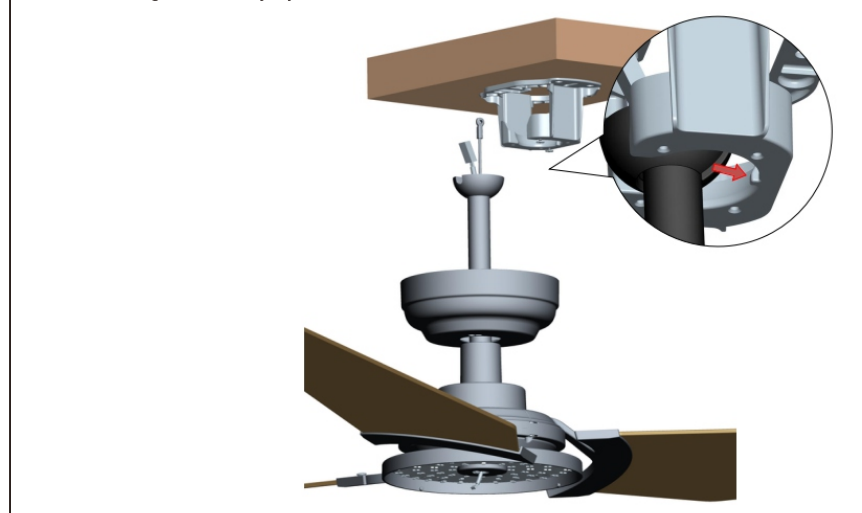


Fig 6.1

- Slide the Adapter inside the bracket and connect the DC output wire connector molex from the adapter with the wire connector molex from motor through the downrod as shown in Fig 6.3. Make sure all wires are tucked in the canopy. Connect the input wires of the adapter to the supply wires.
- Important:** After the connections have been made, the connected wires should be turned upward and pushed carefully up into the outlet box.

- Warning:** Slide the adapter horizontally into the bracket in the direction of the arrow shown in Fig 6.2 below, and the flat side facing the ceiling. Note that the upper patterns of the mounting bracket correspond to the two sides of the adapter's push-in.
- Note:** DO NOT stand upright (as shown in Fig 6.4) or place the adapter incorrectly (as shown in Fig 6.5), otherwise the adapter cannot be inserted into the bracket, which will affect the wiring.
- Note:** The Green/Yellow wire from bracket connects with the supply Ground wire using the wire nut. Connect the White wire of the Adapter to the supply White (Neutral) wire using a wire nut, connect the Black wire of the Adapter to the supply Black (Hot/Live) wire using a wire nut. Then hide them inside the ceiling. (Make sure all the wires are connected to the correct colors as shown in Fig 6.3)

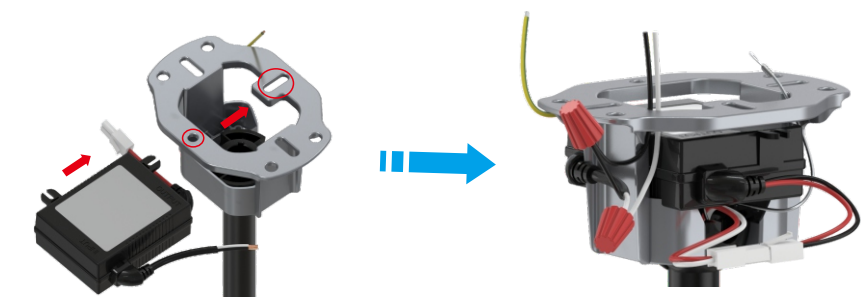


Fig 6.2



Fig 6.4

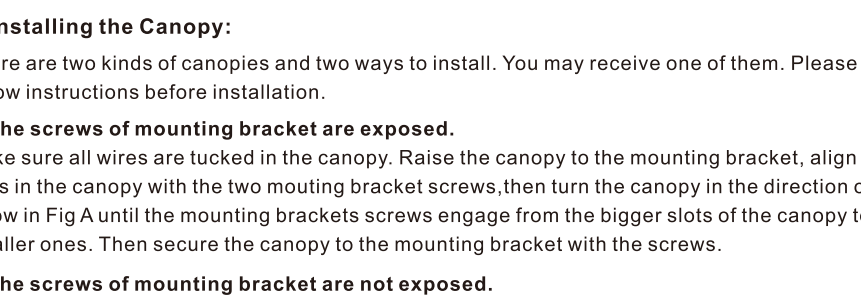


Fig 6.5

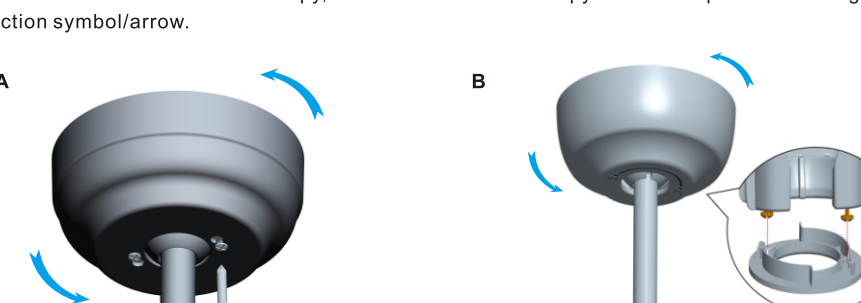


Fig 6.3



Fig 6.6



Fig 6.7



Fig 6.8



Fig 6.9



Fig 6.10



Fig 6.11



Fig 6.12



Fig 6.13



Fig 6.14



Fig 6.15



Fig 6.16



Fig 6.17



Fig 6.18



Fig 6.19



Fig 6.20



Fig 6.21



Fig 6.22



Fig 6.23



Fig 6.24



Fig 6.25



Fig 6.26



Fig 6.27



Fig 6.28



Fig 6.29



Fig 6.30



Fig 6.31



Fig 6.32



Fig 6.33



Fig 6.34



Fig 6.35



Fig 6.36



Fig 6.37



Fig 6.38



Fig 6.39



Fig 6.40



Fig 6.41



Fig 6.42



Fig 6.43



Fig 6.44



Fig 6.45



Fig 6.46



Fig 6.47



Fig 6.48



Fig 6.49



Fig 6.50



Fig 6.51



Fig 6.52



Fig 6.53



Fig 6.54



Fig 6.55



Fig 6.56



Fig 6.57



Fig 6.58



Fig 6.59



Fig 6.60



Fig 6.61



Fig 6.62



Fig 6.63



Fig 6.64



Fig 6.65



Fig 6.66



Fig 6.67



Fig 6.68



Fig 6.69



Fig 6.70



Fig 6.71



Fig 6.72



Fig 6.73



Fig 6.74



Fig 6.75



Fig 6.76



Fig 6.77



Fig 6.78



Fig 6.79



Fig 6.80



Fig 6.81



Fig 6.82



Fig 6.83



Fig 6.84



Fig 6.85



Fig 6.86



Fig 6.87



Fig 6.88



Fig 6.89



Fig 6.90



Fig 6.91



Fig 6.92



Fig 6.93



Fig 6.94



Fig 6.95



Fig 6.96



Fig 6.97



Fig 6.98



Fig 6.99



Fig 6.100



Fig 6.101



Fig 6.102



Fig 6.103



Fig 6.104



Fig 6.105



Fig 6.106



Fig 6.107



Fig 6.108



Fig 6.109



Fig 6.110



Fig 6.111



Fig 6.112



Fig 6.113



Fig 6.114



Fig 6.115



Fig 6.116



Fig 6.117



Fig 6.118



Fig 6.119



Fig 6.120



Fig 6.121



Fig 6.122



Fig 6.123



Fig 6.124



Fig 6.125



Fig 6.126



Fig 6.127



Fig 6.128



Fig 6.129

