

SKU #	Motor/Blade Finish
CFP525E5-L11-S2-1	Brushed Nickel Black Plywood Blades



ASCOTT

5-Blade | 52" | Pull Chain
DC MOTOR 120V
INTEGRATED LED LIGHT KIT



Intertek Fan Motor Light Kit Fan Blade Other

DC Motor

- 5-Speed | Reversible
- Motor | 148 X 15mm
- RPM: High 200 Low 70
- 4040 CFM | 24 W | Efficiency = 187
- 4.5" Downrod Included

Blade

- 5-Blade | 52" Sweep
- Material: Highly-Compressed Plywood
- 11° Pitch

Light Kit

- LED Light Board
- 18W 1300 Lumens
- Dimming (Standard): 3000K Warm Light | 5 Levels Dimming
- Color Temperature (Optional) :
2700K Warm Light | 3500K Neutral Light | 4000K Cool Light
- Lens: Glass

Control

- Pull Chain (Standard)
- Wall Control (Optional)
- Remote (Optional)

Certification

- ETL Listed

Warranty

- Fan Motor: Three-Year Limited Warranty
- LED Light Kit: Five-Year Limited Warranty
- Fan Blade: One-Year Limited Warranty
- Other: Three-Year Limited Warranty

Measurements

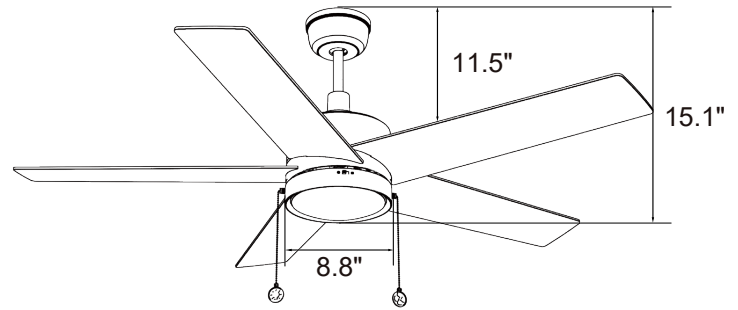
- Dimensions(in.): 15.1 H (to lowest point) x 8.8 W (housing)
x 11.5 H (top of blade)
- Product Weight (lbs.): 13.2 N.W. | 17.2 G.W.
- Box (in.): 24 W X 10.8 D X 12.4 H

Shipping

- Container Loading:
20GP 540 pcs | 40GP 1100 pcs | 40HQ 1300 pcs

Dimensions

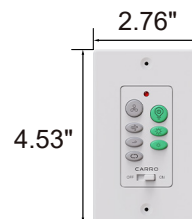
15.1"	8.8"	11.5"
Height (lowest point)	Width (housing)	Height (top of blade)



Fan Control Options

Simple and intuitive design with standard layout.
Multifunctional: fan speed control, fan forward/reverse direction, fan on/off, light brightness adjustment, warm/cool light switch, light on/off.

Push Button



Knob



Remote



- Pull Chain (Standard)
- Hardwired Wall Control(Optional):
Push Button or Knob
(Single Live Wire, No Neutral Needed)
- Remote (Optional)