

CARRO

SMART FANS | LIGHTING

SKU #

CFP523Q5-L11-BG-1

Motor/Blade Finish

Black | Barnwood Reversible Other Wood Finishes Available Plywood Blades



GREENWOOD

3-Blade | 52" | Pull Chain

DC MOTOR 120V

INTEGRATED LED LIGHT KIT



DC Motor

- 5-Speed | Reversible
- Motor | 148 X 11mm
- RPM: High 215 Low 50
- 3850 CFM | 17 W | Efficiency = 191
- 4.5" Downrod Included

Blade

- 3-Blade | 52" Sweep
- Material: Highly-Compressed Plywood
- 11° Pitch

Light Kit

- LED Light Board
- 18W 1300 Lumens
- Dimming (Standard): 3000K Warm Light | 5 Levels Dimming
- Color Temperature (Optional) :
2700K Warm Light | 3500K Neutral Light | 4000K Cool Light
- Lens: Glass

Control

- Pull Chain (Standard)
- Wall Control (Optional)
- Remote (Optional)

Certification

- ETL Listed

Warranty

- Fan Motor: Three-Year Limited Warranty
- LED Light Kit: Five-Year Limited Warranty
- Fan Blade: One-Year Limited Warranty
- Other: Three-Year Limited Warranty

Measurements

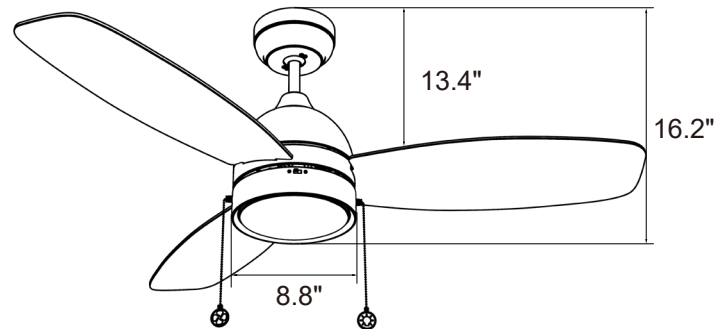
- Dimensions(in.): 16.2 H (to lowest point) x 8.8 W (housing)
x 13.4 H (top of blade)
- Product Weight (lbs.): 11.8 N.W. | 15.9 G.W.
- Box (in.): 23.6 W X 10.8 D X 12 H

Shipping

- Container Loading:
20GP 570 pcs | 40GP 1170 pcs | 40HQ 1370 pcs

Dimensions

16.2"	8.8"	13.4"
Height (lowest point)	Width (housing)	Height (top of blade)

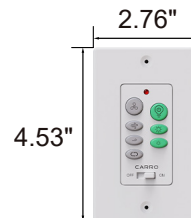


Fan Control Options

Simple and intuitive design with standard layout.

Multifunctional: fan speed control, fan forward/reverse direction, fan on/off, light brightness adjustment, warm/cool light switch, light on/off.

Push Button



Knob



Remote



- Pull Chain (Standard)
- Hardwired Wall Control(Optional):
Push Button or Knob
(Single Live Wire, No Neutral Needed)
- Remote (Optional)