



SKU #	Motor/Blade Finish
CFP523N4-L11-B2-1-FM	Black Black ABS Blades

HAVEN

3-Blade | 52" | Flushmount | Pull Chain
DC MOTOR 120V
INTEGRATED LED LIGHT KIT



DC Motor

- 5-Speed | Reversible
- Motor | 148 X 15mm
- RPM: High 170 Low 50
- 4000 CFM | 17 W | Efficiency = 192

Blade

- 3-Blade | 52" Sweep
- Material: ABS
- 13° Pitch

Light Kit

- LED Light Board
- 18W 1300 Lumens
- Dimming (Standard): 3000K Warm Light | 5 Levels Dimming
- Color Temperature (Optional) :
2700K Warm Light | 3500K Neutral Light | 4000K Cool Light
- Lens: Glass

Control

- Pull Chain (Standard)
- Wall Control (Optional)
- Remote (Optional)

Certification

- ETL Listed

Warranty

- Fan Motor: Three-Year Limited Warranty
- LED Light Kit: Five-Year Limited Warranty
- Fan Blade: One-Year Limited Warranty
- Other: Three-Year Limited Warranty

Measurements

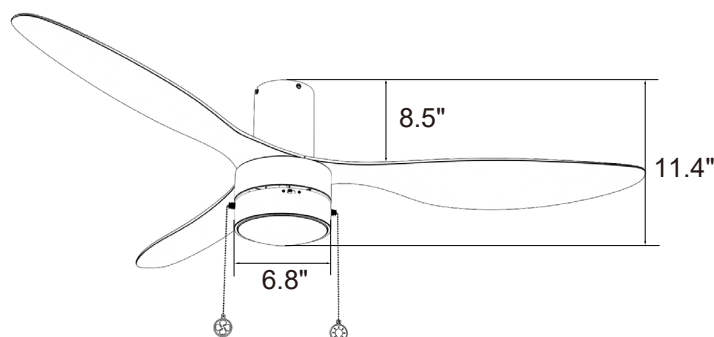
- Dimensions(in.): 11.4 H (to lowest point) x 6.8 W (housing)
x 8.5 H (top of blade)
- Product Weight (lbs.): 9.6 N.W. | 12.4 G.W.
- Box (in.): 25.4 W X 10.9 D X 7.9 H

Shipping

- Container Loading:
20GP 820 pcs | 40GP 1680 pcs | 40HQ 1960 pcs

Dimensions

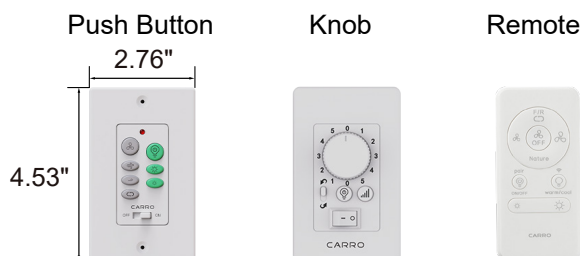
11.4"	6.8"	8.5"
Height (lowest point)	Width (housing)	Height (top of blade)



Fan Control Options

Simple and intuitive design with standard layout.

Multifunctional: fan speed control, fan forward/reverse direction, fan on/off, light brightness adjustment, warm/cool light switch, light on/off.



- Pull Chain (Standard)
- Hardwired Wall Control(Optional):
Push Button or Knob
(Single Live Wire, No Neutral Needed)
- Remote (Optional)