



## REXTON

3-Blade | 52" | Pull Chain

DC MOTOR 120V

INTEGRATED LED LIGHT KIT



Intertek

Fan Motor

Light Kit

Fan Blade

Other

### DC Motor

- 5-Speed | Reversible
- Motor | 148 X 15mm
- RPM: High 165 Low 45
- 4580 CFM | 26 W | Efficiency = 168
- 6" Downrod Included

### Blade

- 3-Blade | 52" Sweep
- Material: ABS
- 13° Pitch

### Light Kit

- LED Light Board
- 18W 1300 Lumens
- Dimming (Standard): 3000K Warm Light | 5 Levels Dimming
- Color Temperature (Optional) :  
2700K Warm Light | 3500K Neutral Light | 4000K Cool Light
- Lens: Glass

### Control

- Pull Chain (Standard)
- Wall Control (Optional)
- Remote (Optional)

### Certification

- ETL Listed

### Warranty

- Fan Motor: Three-Year Limited Warranty
- LED Light Kit: Five-Year Limited Warranty
- Fan Blade: One-Year Limited Warranty
- Other: Three-Year Limited Warranty

### Measurements

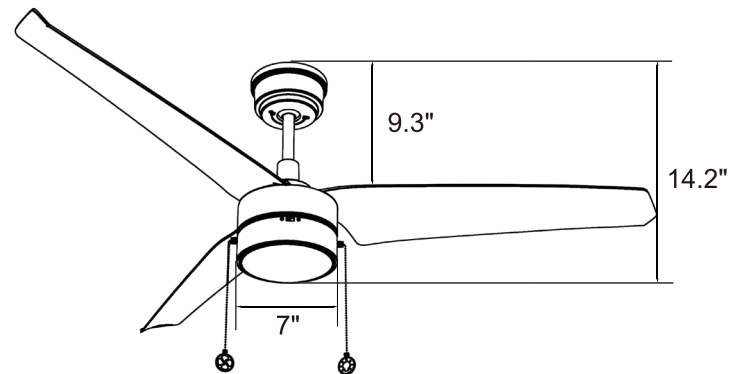
- Dimensions(in.): 14.2 H (to lowest point) x 7 W (housing)  
x 9.3 H (top of blade)
- Product Weight (lbs.): 9.4 N.W. | 12.3 G.W.
- Box (in.): 24.8 W X 9.9 D X 9.7 H

### Shipping

- Container Loading:  
20GP 730 pcs | 40GP 1500 pcs | 40HQ 1760 pcs

### Dimensions

14.2"	7"	9.3"
Height (lowest point)	Width (housing)	Height (top of blade)



### Fan Control Options

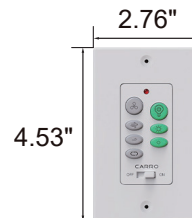
Simple and intuitive design with standard layout.

Multifunctional: fan speed control, fan forward/reverse direction, fan on/off, light brightness adjustment, warm/cool light switch, light on/off.

Push Button

Knob

Remote



- Pull Chain (Standard)
- Hardwired Wall Control(Optional):  
Push Button or Knob  
(Single Live Wire, No Neutral Needed)
- Remote (Optional)